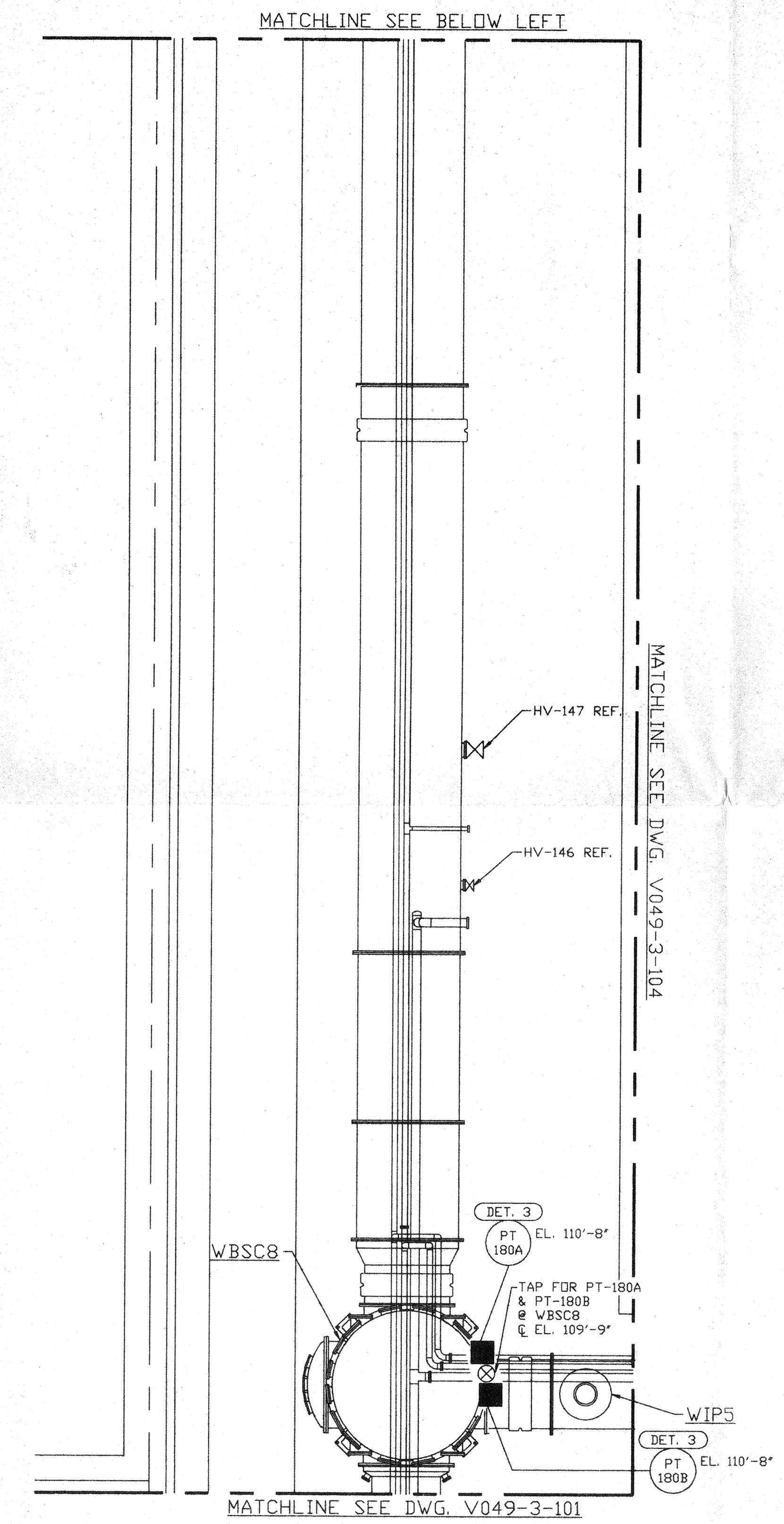
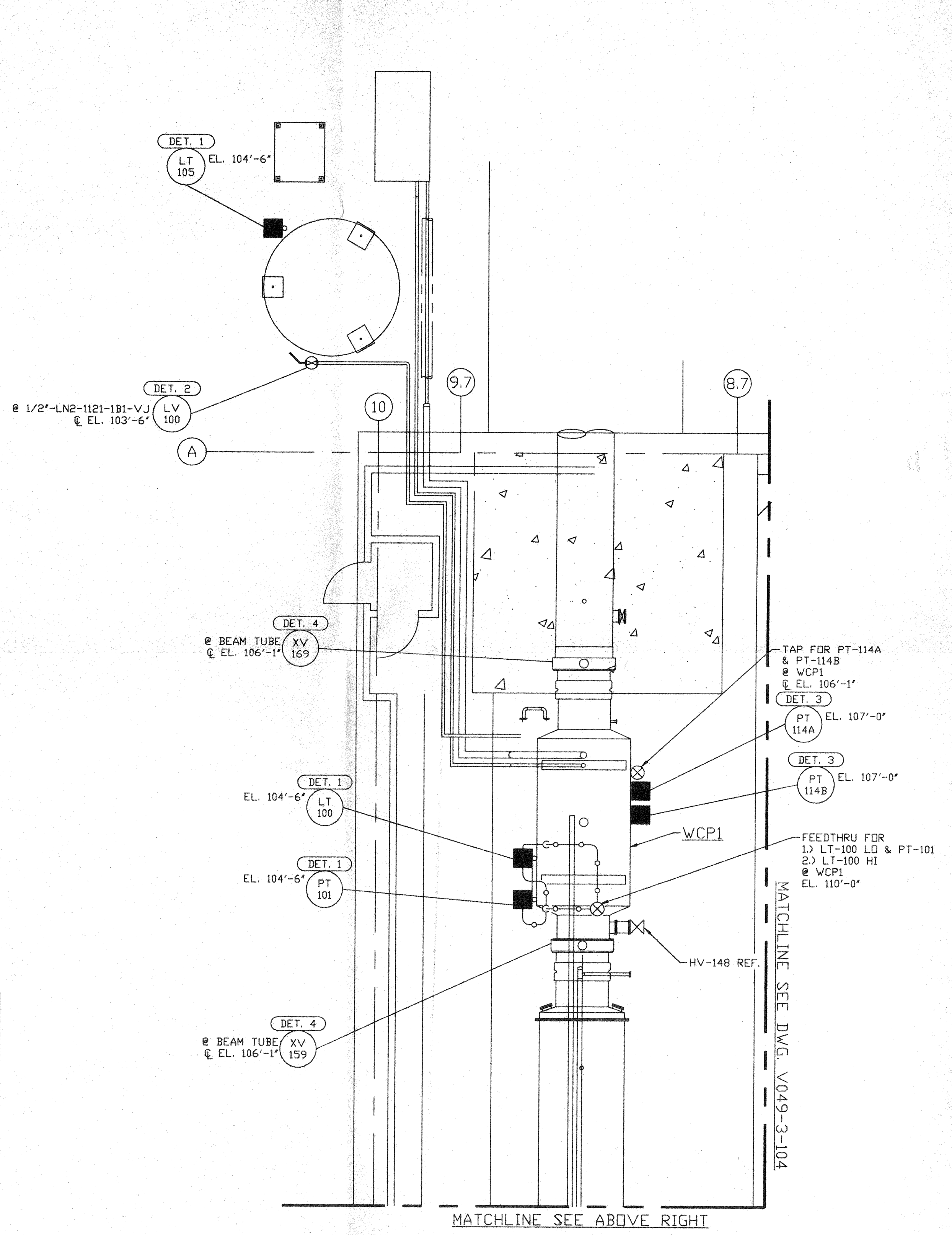


- NOTES:
- 1.) FOR INSTRUMENT INSTALLATION DETAILS SEE PSI DWG. #V049-3-008
 - 2.) ALL INSTRUMENT AIR & PROCESS TUBING SHALL BE 3/8" O.D. x .049 THK SEAMLESS SSTL TYPE 316.
 - 3.) TUBING ROUTING SHOWN ON PLAN IS DIAGRAMMATICAL AND SHALL BE FIELD VERIFIED SO AS TO OPTIMIZE SUPPORTING MEANS AND TO AVOID INTERFERENCES WITH CONDUIT & PIPING SYSTEMS.



INSTRUMENTS NOT LOCATED

TE 102
TE 103A
TE 103B
TE 103C
TY 103
FE 104
FI 104
PCV 190

INSTRUMENT AIR

LEGEND

■ INSTRUMENT LOCATION
 ○ XX INSTRUMENT IDENTIFICATION
 ○ DET. X INSTALLATION DETAIL SEE NOTE 1
 ⊗ PROCESS TAP
 —○— PROCESS TUBING (SEE NOTE 2)
 —+— INSTRUMENT AIR (SEE NOTE 2)

APR 30 1996

D960550-0-V

PROPRIETARY AND CONFIDENTIAL <small>THIS DOCUMENT CONTAINS PROPRIETARY INFORMATION BELONGING TO PROCESS SYSTEMS INTERNATIONAL, INC. OR ITS AFFILIATED COMPANIES AND SHALL BE USED ONLY FOR THE PURPOSE FOR WHICH IT WAS SUPPLIED. IT SHALL NOT BE COPIED, REPRODUCED OR OTHERWISE USED, NOR SHALL SUCH INFORMATION BE FURNISHED IN WHOLE OR IN PART TO OTHERS EXCEPT IN ACCORDANCE WITH THE TERMS OF ANY AGREEMENT UNDER WHICH IT WAS SUPPLIED OR WITH THE PRIOR WRITTEN CONSENT OF PROCESS SYSTEMS INTERNATIONAL, INC. AND SHALL BE RETURNED UPON REQUEST.</small>	V049-3-104	INSTRUMENT PLAN DIAGONAL SECTION		UNLESS OTHERWISE SPECIFIED DIMENSIONS ARE IN INCHES TOLERANCES: FRACTIONAL ± ANGULAR/AMCH 40°-90° BEND ±2° TWO PLACE DECIMAL ±.01 THREE PLACE DECIMAL ±.005 FINISHED SURFACE RNS BREAK CORNERS IN OUT REMOVE ALL BURRS		
	V049-3-101	INSTRUMENT PLAN VERTEX SECTION				
	V049-3-008	INSTRUMENT INSTALLATION DETAILS				
	V049-3-002	WASHINGTON OVERALL SITE PLAN				
	V049-3-001	GENERAL NOTES & LEGEND				
	V049-0-012	P & I D WASHINGTON LEFT BEAM MANIFOLD	V049-5-001	EQUIP. ARRANGEMENT WASHINGTON CORNER STATION		
	DWG. NO.	DESCRIPTION	DWG. NO.	DESCRIPTION		

DO NOT SCALE THIS DRAWING	0	ISSUE FOR FDR					
USED ON:	REV	DESCRIPTION					
NEXT ASSY:		ISSUE DESCRIPTION					

	D.W. [initials] R.W.	04.26.96	0129	
SCALE 3/16" = 1' - 0"	SHEET 1 OF 1	CAD FILE V0493102	SIZE D	DWG. NO. V049-3-102