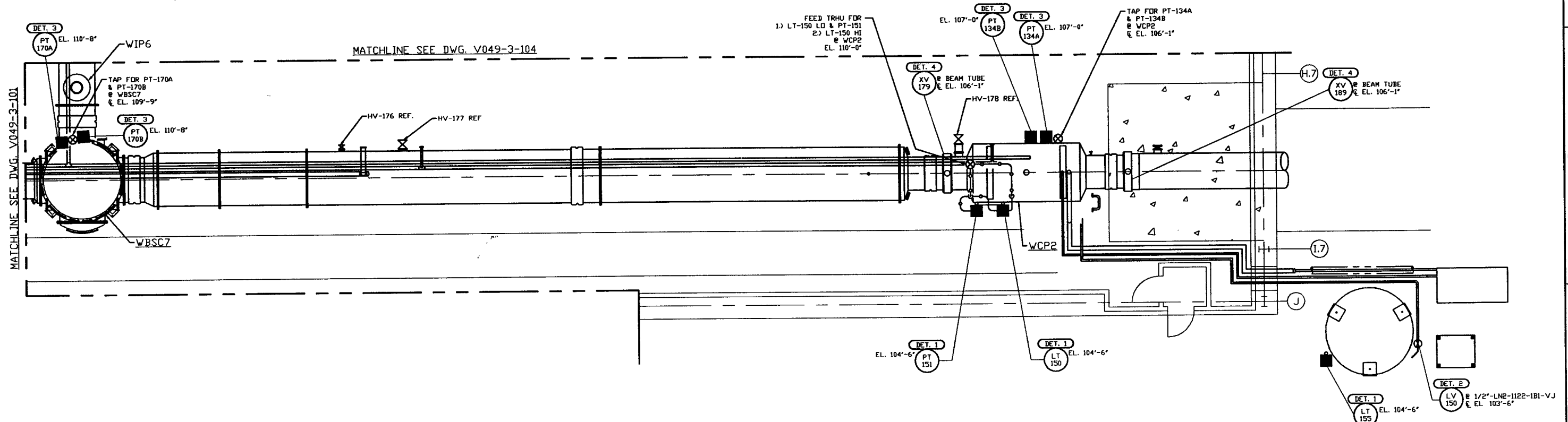


**NOTES:**

- 1.) FOR INSTRUMENT INSTALLATION DETAILS SEE PSI DWG. #V049-3-008.
- 2.) ALL INSTRUMENT AIR & PROCESS TUBING SHALL BE 3/8" O.D. x .049 THK SEAMLESS SSTL, TYPE 316.
- 3.) TUBING ROUTING SHOWN ON PLAN IS DIAGRAMMATICAL AND SHALL BE FIELD VERIFIED SO AS TO OPTIMIZE SUPPORTING MEANS AND TO AVOID INTERFERENCES WITH CONDUIT & PIPING SYSTEMS.



**NOT FOR CONSTRUCTION**

- LEGEND**
- INSTRUMENT LOCATION
  - ⊗ INSTRUMENT IDENTIFICATION
  - (DET. X) INSTALLATION DETAIL SEE NOTE 1
  - ⊗ PROCESS TAP
  - PROCESS TUBING (SEE NOTE 2)
  - INSTRUMENT AIR (SEE NOTE 2)

LIGO-D960551-00-V

**INSTRUMENTS NOT LOCATED**

TE 152
TE 153A
TE 153B
TE 153C
TY 153
FE 154
F1 154
PCV 170

INSTRUMENT AIR

<b>PROPRIETARY AND CONFIDENTIAL</b>	V049-3-104	INSTRUMENT PLAN DIAGONAL SECTION	
	V049-3-101	INSTRUMENT PLAN VERTEX SECTION	
	V049-3-008	INSTRUMENT INSTALLATION DETAILS	
	V049-3-002	WASHINGTON OVERALL SITE PLAN	
	V049-3-001	GENERAL NOTES & LEGEND	
	V049-0-015	P & I D WASHINGTON RIGHT BEAM MANIFOLD	V049-5-001
	DWG. NO.	DESCRIPTION	

UNLESS OTHERWISE SPECIFIED DIMENSIONS ARE IN INCHES																				
TOLERANCES: FRACTIONAL & DECIMALS: .0005" .001" .002" .005" .010" .015" .030" .050" .100" .150" .300" .500" 1.000" 1.500" 2.000" 3.000" 4.000" 5.000" 6.000" 8.000" 10.000"																				
DO NOT SCALE THIS DRAWING		0	ISSUE FOR FDR																	
USED ON:	REV	DESCRIPTION																		
NEXT ASS'Y:		ISSUE DESCRIPTION																		

**PROCESS SYSTEMS INTERNATIONAL INC.**  
20 WALKUP DR. WESTBOROUGH, MASSACHUSETTS 01581 USA

**INSTRUMENT PLAN  
LIGO VACUUM EQUIPMENT  
WASHINGTON SITE  
RIGHT BEAM MANIFOLD**

CAD FILE: V0493103  
SITE: D  
DWG NO.: V049-3-103  
REV: 0

SCALE: 3/16" = 1' - 0"  
SHEET: 1 OF 1