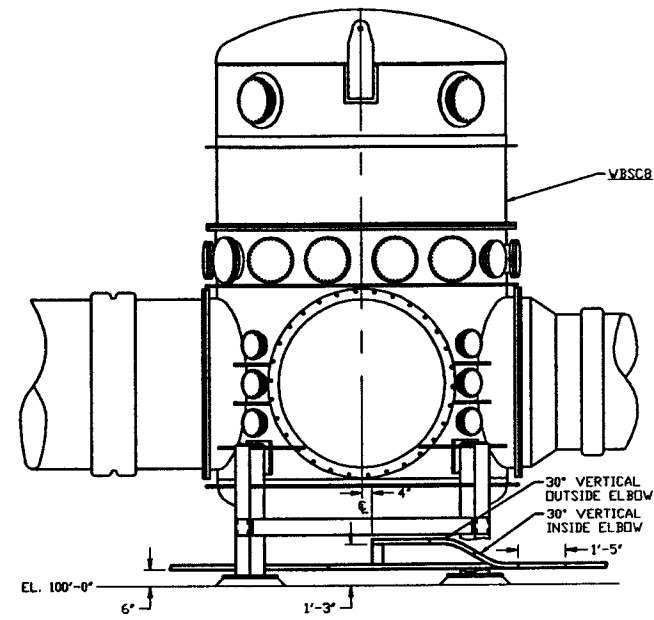
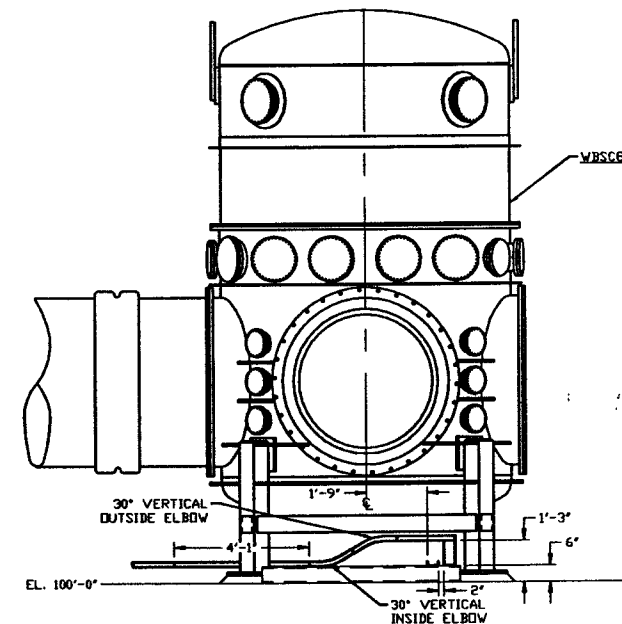


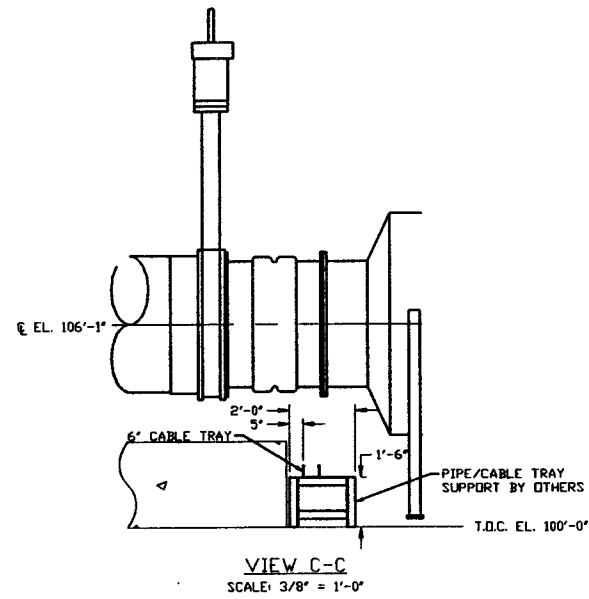
- NOTES:**
- 1) ALL CABLETRAY LENGTHS ARE 12'-0" UNLESS OTHERWISE SPECIFIED.
  - 2) ALL CABLE TRAY SHALL BE GROUNDED PER N.E.C.
  - 3) ALL CABLE TRAY SHALL BE FIELD SUPPORTED.
  - 4) CABLE TRAY FOR ION PUMP POWER CABLES SHALL BE LABELED "DANGER HIGH VOLTAGE".



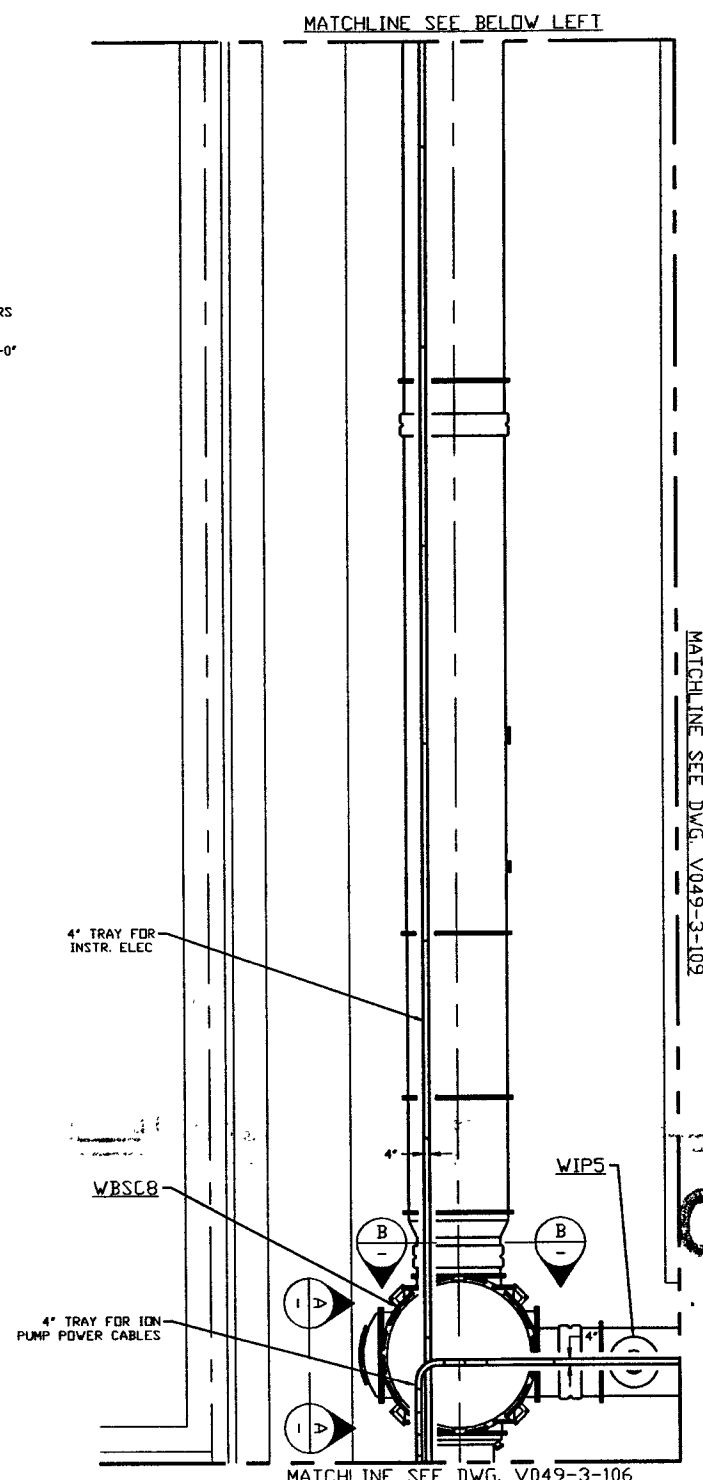
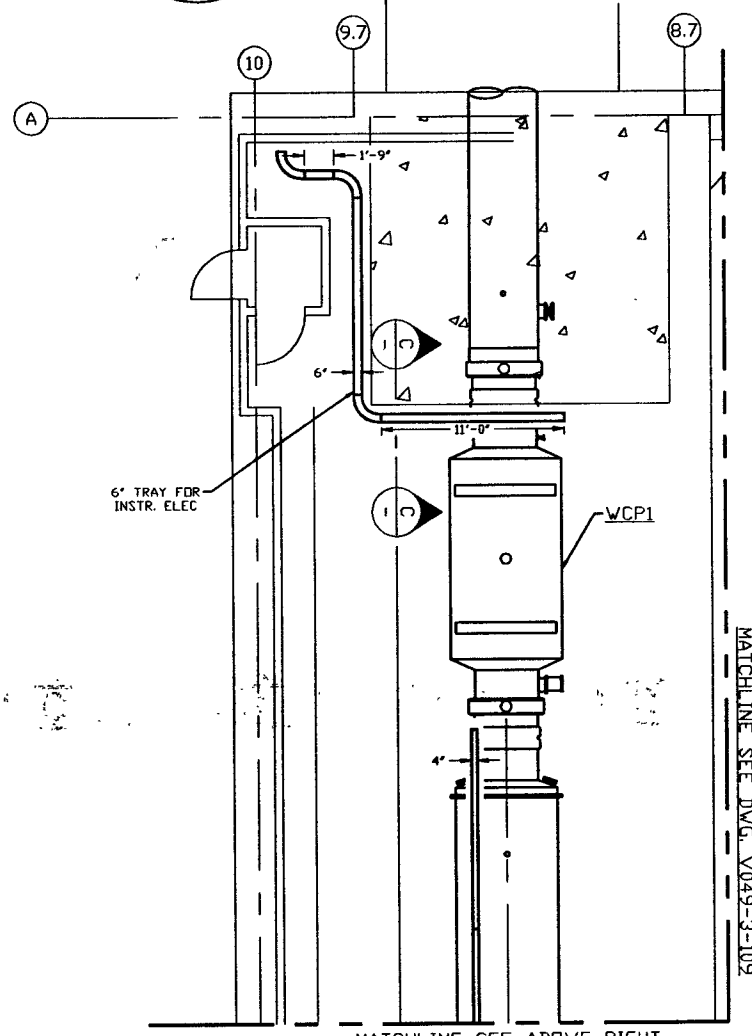
VIEW A-A  
SCALE: 3/8" = 1'-0"



VIEW B-B  
SCALE: 3/8" = 1'-0"



VIEW C-C  
SCALE: 3/8" = 1'-0"



**NOT FOR CONSTRUCTION**

LIGO-D960554-00-V

**PROPRIETARY AND CONFIDENTIAL**  
THIS DOCUMENT CONTAINS PROPRIETARY INFORMATION BELONGING TO PROCESS SYSTEMS INTERNATIONAL, INC. OR ITS AFFILIATED COMPANIES AND SHALL BE USED ONLY FOR THE PURPOSE FOR WHICH IT WAS SUPPLIED. IT SHALL NOT BE COPIED, REPRODUCED OR OTHERWISE USED, NOR SHALL SUCH INFORMATION BE FURNISHED IN WHOLE OR IN PART TO OTHERS EXCEPT IN ACCORDANCE WITH THE TERMS OF ANY AGREEMENT UNDER WHICH IT WAS SUPPLIED OR WITH THE PRIOR WRITTEN CONSENT OF PROCESS SYSTEMS INTERNATIONAL, INC. AND SHALL BE RETURNED UPON REQUEST.

DWG. NO.	DESCRIPTION	DWG. NO.	DESCRIPTION
V049-3-109	CABLE TRAY PLAN DIAGONAL SECTION		
V049-3-106	CABLE TRAY PLAN VERTEX SECTION		
V049-3-002	WASHINGTON OVERALL SITE PLAN		
V049-3-001	GENERAL NOTES & LEGEND		
	REFERENCE DRAWINGS		

UNLESS OTHERWISE SPECIFIED DIMENSIONS ARE IN INCHES  
FRACTIONS & ANGULAR APPROX 1/4" 30° 30° 45° 90° 180° 270° 360°  
TWO PLACE DECIMAL & 1/16" FRACTIONS SHALL BE USED  
BREAK CORNERS BY BUT REMOVE ALL BURRS

DO NOT SCALE THIS DRAWING

USED IN

NEXT ASS'Y:

REV	DESCRIPTION	CHKD	DRWN	DATE	DESN
0	ISSUE FOR FDR			04.26.96	0129

**PROCESS SYSTEMS INTERNATIONAL, INC.**  
20 WALKUP DR. WESTBOROUGH, MASSACHUSETTS 01581 USA

**CABLE TRAY PLAN  
LIGO VACUUM EQUIPMENT  
WASHINGTON SITE  
LEFT BEAM MANIFOLD**

CAD FILE: V0493107  
SIZE: D  
DWG. NO.: V049-3-107  
SCALE: 3/16" = 1' - 0"  
SHEET: 1 OF 1