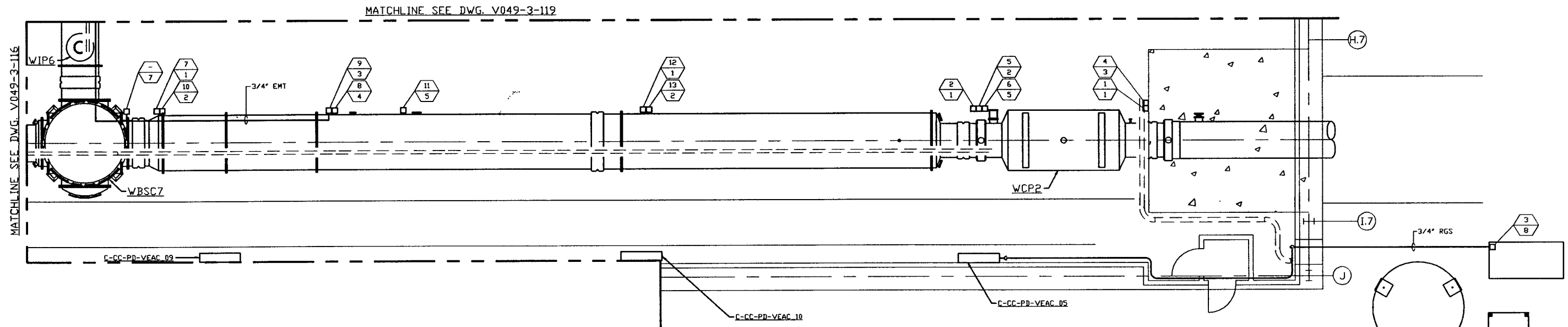


NOTES:

- 1) FOR ELECTRICAL INSTALLATION DETAILS SEE PSI DWG. V049-3-006.
- 2) CONDUIT IS SHOWN DIAGRAMMATICALLY AND SHALL BE FIELD VERIFIED SO AS TO OPTIMIZE SUPPORTING MEANS AND TO AVOID INTERFERENCES WITH PIPING SYSTEMS.
- 3) ALL RECEPTACLES SHALL BE IDENTIFIED WITH PANEL AND CKT. NUMBER.

DISTRIBUTION SYSTEM FEEDER SCHEDULE					
FEEDER NUMBER	SOURCE (LOAD CENTER LOCATION)	CKT #	EQUIPMENT SERVED	CONDUIT	FILL
1	C-CC-PD-VEAC_05	TBD	BAKEDOUT/CLEAN ROOM	1 1/2"	4-#6, #8 GND
2	C-CC-PD-VEAC_05	TBD	BAKEDOUT/CLEAN ROOM	1 1/2"	4-#6, #8 GND
3	C-CC-PD-VEAC_05	TBD	REGEN HEATER	3/4"	3-#10, #8 GND
4	C-CC-PD-VEAC_05	TBD	GENERAL/ION PUMP/AUX. TURBO	3/4"	2-#12, #12 GND
5	C-CC-PD-VEAC_05	TBD	BAKEDOUT CONTROL	3/4"	2-#12, #12 GND
6	C-CC-PD-VEAC_05	TBD	TURBO PUMP	3/4"	4-#12, #10 GND
7	C-CC-PD-VEAC_09	TBD	BAKEDOUT/CLEAN ROOM	1 1/2"	4-#6, #8 GND
8	C-CC-PD-VEAC_09	TBD	ROUGHING PUMP	3/4"	3-#12, #10 GND
9	C-CC-PD-VEAC_09	TBD	GENERAL/ION PUMP/AUX. TURBO	3/4"	2-#12, #12 GND
10	C-CC-PD-VEAC_09	TBD	BAKEDOUT CONTROL	3/4"	2-#12, #12 GND
11	C-CC-PD-VEAC_09	TBD	TURBO PUMP	3/4"	4-#12, #10 GND
12	C-CC-PD-VEAC_10	TBD	BAKEDOUT/CLEAN ROOM	1 1/2"	4-#6, #8 GND
13	C-CC-PD-VEAC_10	TBD	BAKEDOUT CONTROL	3/4"	2-#12, #12 GND



NOT FOR CONSTRUCTION

LEGEND

- ELECTRICAL DEVICE CONNECTION
- XX YY DEVICE CONNECTION IDENTIFIER
 XX = FEEDER NUMBER; SEE DISTRIBUTION SYSTEM FEEDER SCHEDULE THIS SHIT.
 YY = ELECTRICAL INSTALLATION DETAIL NUMBER; SEE NOTE 1
- CONDUIT; SEE PLAN FOR SIZE

LIGO-D960563-00-V

<p>PROPRIETARY AND CONFIDENTIAL</p> <p>THIS DOCUMENT CONTAINS PROPRIETARY INFORMATION BELONGING TO PROCESS SYSTEMS INTERNATIONAL, INC. OR ITS AFFILIATED COMPANIES AND SHALL BE USED ONLY FOR THE PURPOSES FOR WHICH IT WAS SUPPLIED. IT SHALL NOT BE COPIED, REPRODUCED OR OTHERWISE USED, NOR SHALL SUCH INFORMATION BE FURNISHED IN WHOLE OR IN PART TO OTHERS EXCEPT IN ACCORDANCE WITH THE TERMS OF ANY AGREEMENT UNDER WHICH IT WAS SUPPLIED OR WITH THE PRIOR WRITTEN CONSENT OF PROCESS SYSTEMS INTERNATIONAL, INC. AND SHALL BE RETURNED UPON REQUEST.</p>	<table border="1" style="width: 100%; border-collapse: collapse;"> <tr> <td style="width: 15%;">V049-3-119</td> <td>POWER PLAN WASHINGTON DIAGONAL SECTION</td> <td></td> <td></td> </tr> <tr> <td>V049-3-116</td> <td>POWER PLAN WASHINGTON VERTEX SECTION</td> <td></td> <td></td> </tr> <tr> <td>V049-3-006</td> <td>ELECTRICAL INSTALLATION DETAILS</td> <td></td> <td></td> </tr> <tr> <td>V049-3-005</td> <td>ION PUMP CONTROLLER CABINET WIRING DIAGRAM</td> <td></td> <td></td> </tr> <tr> <td>V049-3-002</td> <td>WASHINGTON OVERALL SITE PLAN</td> <td></td> <td></td> </tr> <tr> <td>V049-3-001</td> <td>GENERAL NOTES & LEGEND</td> <td></td> <td></td> </tr> </table>	V049-3-119	POWER PLAN WASHINGTON DIAGONAL SECTION			V049-3-116	POWER PLAN WASHINGTON VERTEX SECTION			V049-3-006	ELECTRICAL INSTALLATION DETAILS			V049-3-005	ION PUMP CONTROLLER CABINET WIRING DIAGRAM			V049-3-002	WASHINGTON OVERALL SITE PLAN			V049-3-001	GENERAL NOTES & LEGEND			<p>UNLESS OTHERWISE SPECIFIED DIMENSIONS ARE IN INCHES</p> <p>TOLERANCES</p> <p>FRACTIONAL & ANGULAR APPROX 1/16" DECIMAL AS TWO PLACE DECIMAL & AS THREE PLACE DECIMAL & ANG FINISHED SURFACE HAS BREAK CORNERS IN DWG REMOVE ALL BLURS</p>	<table border="1" style="width: 100%; border-collapse: collapse;"> <tr> <td>DO NOT SCALE THIS DRAWING</td> <td>0</td> <td>ISSUE FOR FDR</td> <td></td> <td></td> <td></td> <td></td> <td></td> <td></td> <td></td> <td></td> <td></td> <td></td> <td></td> <td></td> <td></td> <td></td> <td></td> <td></td> <td></td> <td></td> </tr> <tr> <td>USED ON:</td> <td>REV</td> <td>DESCRIPTION</td> <td></td> <td></td> <td></td> <td></td> <td></td> <td></td> <td></td> <td></td> <td></td> <td></td> <td></td> <td></td> <td></td> <td></td> <td></td> <td></td> <td></td> <td></td> </tr> <tr> <td>NEXT ASS'Y:</td> <td></td> <td>ISSUE DESCRIPTION</td> <td></td> <td></td> <td></td> <td></td> <td></td> <td></td> <td></td> <td></td> <td></td> <td></td> <td></td> <td></td> <td></td> <td></td> <td></td> <td></td> <td></td> <td></td> </tr> </table>	DO NOT SCALE THIS DRAWING	0	ISSUE FOR FDR																			USED ON:	REV	DESCRIPTION																			NEXT ASS'Y:		ISSUE DESCRIPTION																			<p style="text-align: center; font-weight: bold;">PROCESS SYSTEMS INTERNATIONAL, INC.</p> <p style="text-align: center; font-size: 0.8em;">20 WALKUP DR. WESTBOROUGH, MASSACHUSETTS 01581 USA</p> <p style="text-align: center; font-weight: bold;">POWER PLAN LIGO VACUUM EQUIPMENT WASHINGTON SITE RIGHT BEAM MANIFOLD</p> <table border="1" style="width: 100%; border-collapse: collapse; font-size: 0.8em;"> <tr> <td>CAD FILE</td> <td>SIZE</td> <td>DWG NO.</td> <td>REV.</td> </tr> <tr> <td>V0493118</td> <td>D</td> <td>V049-3-118</td> <td>0</td> </tr> </table> <p style="text-align: center; font-size: 0.8em;">SCALE 3/16" = 1' - 0" SHEET 1 OF 1</p>	CAD FILE	SIZE	DWG NO.	REV.	V0493118	D	V049-3-118	0
V049-3-119	POWER PLAN WASHINGTON DIAGONAL SECTION																																																																																																		
V049-3-116	POWER PLAN WASHINGTON VERTEX SECTION																																																																																																		
V049-3-006	ELECTRICAL INSTALLATION DETAILS																																																																																																		
V049-3-005	ION PUMP CONTROLLER CABINET WIRING DIAGRAM																																																																																																		
V049-3-002	WASHINGTON OVERALL SITE PLAN																																																																																																		
V049-3-001	GENERAL NOTES & LEGEND																																																																																																		
DO NOT SCALE THIS DRAWING	0	ISSUE FOR FDR																																																																																																	
USED ON:	REV	DESCRIPTION																																																																																																	
NEXT ASS'Y:		ISSUE DESCRIPTION																																																																																																	
CAD FILE	SIZE	DWG NO.	REV.																																																																																																
V0493118	D	V049-3-118	0																																																																																																