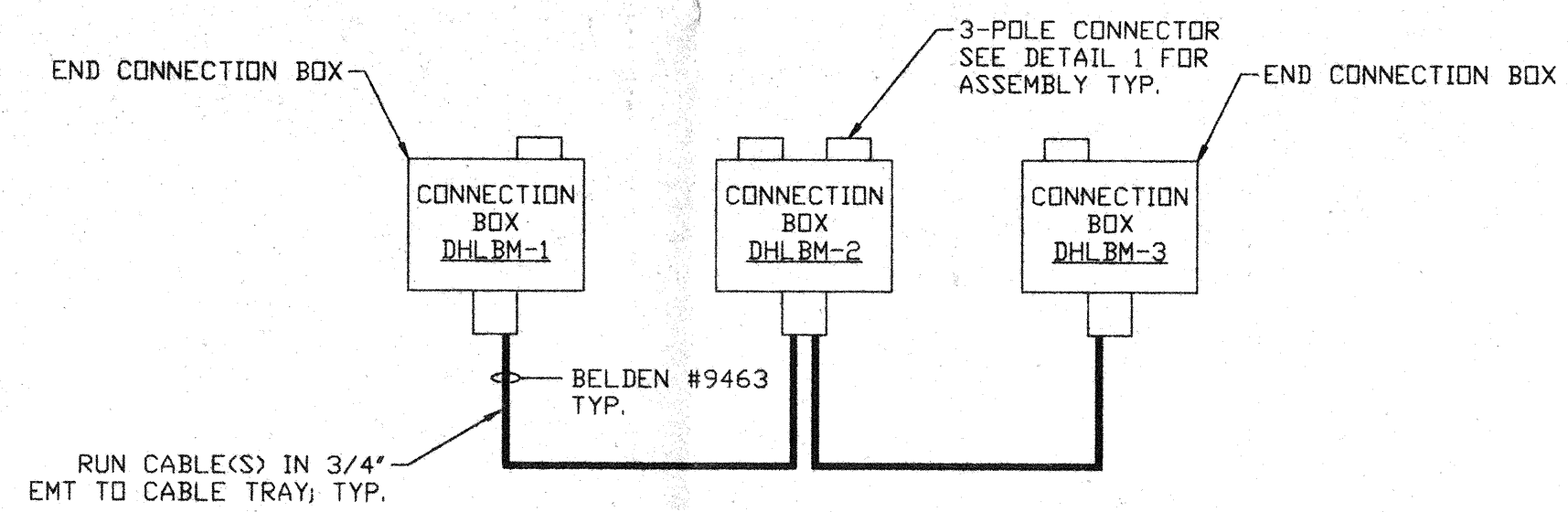
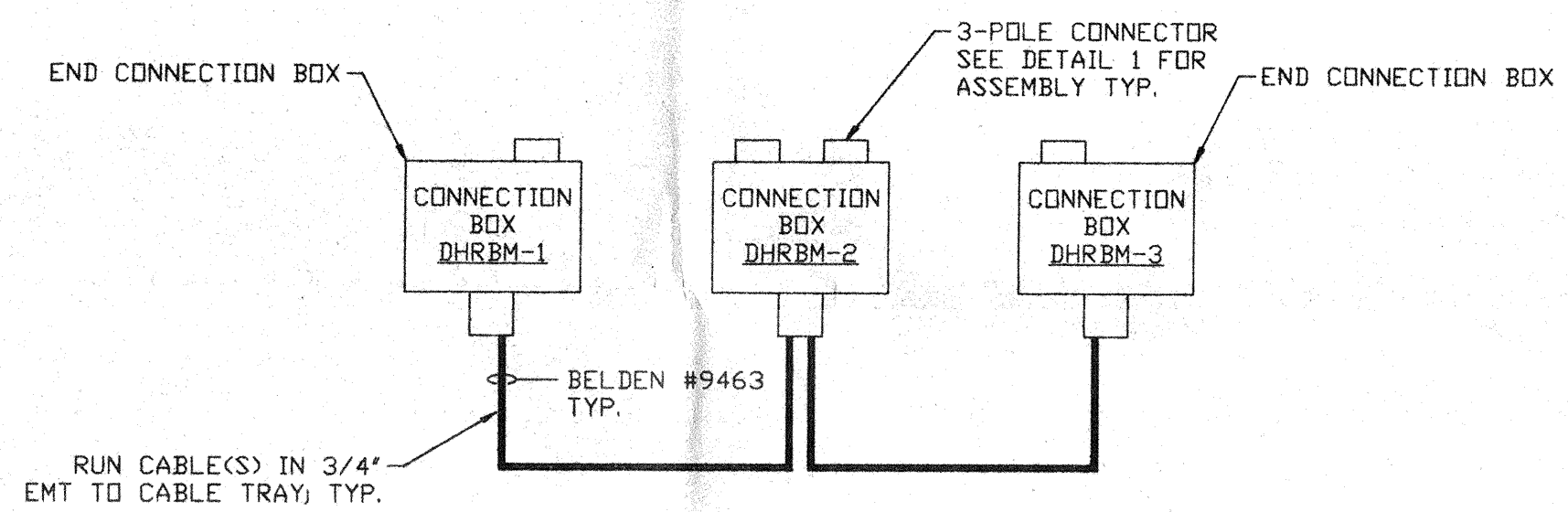


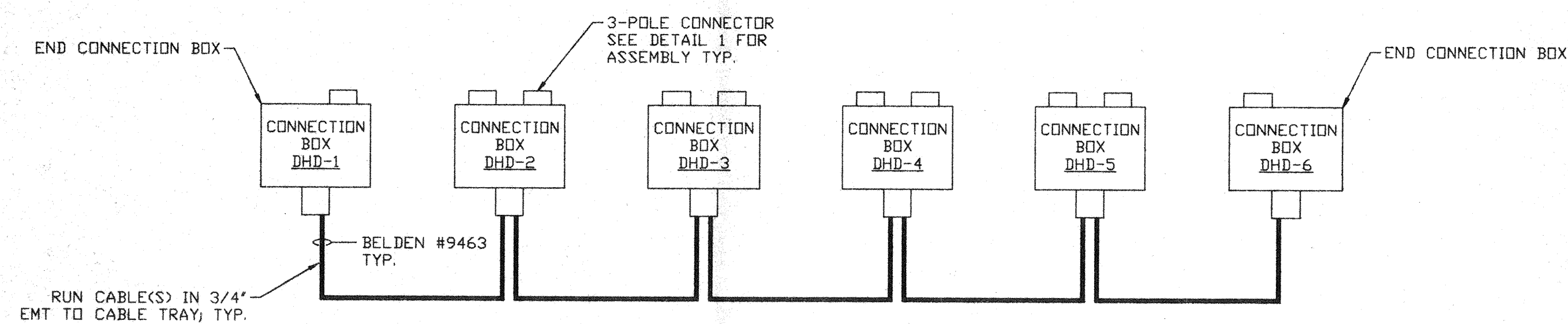
VERTEX SECTION DATA HIGHWAY INTERCONNECTION  
SEE PLAN FOR LOCATIONS



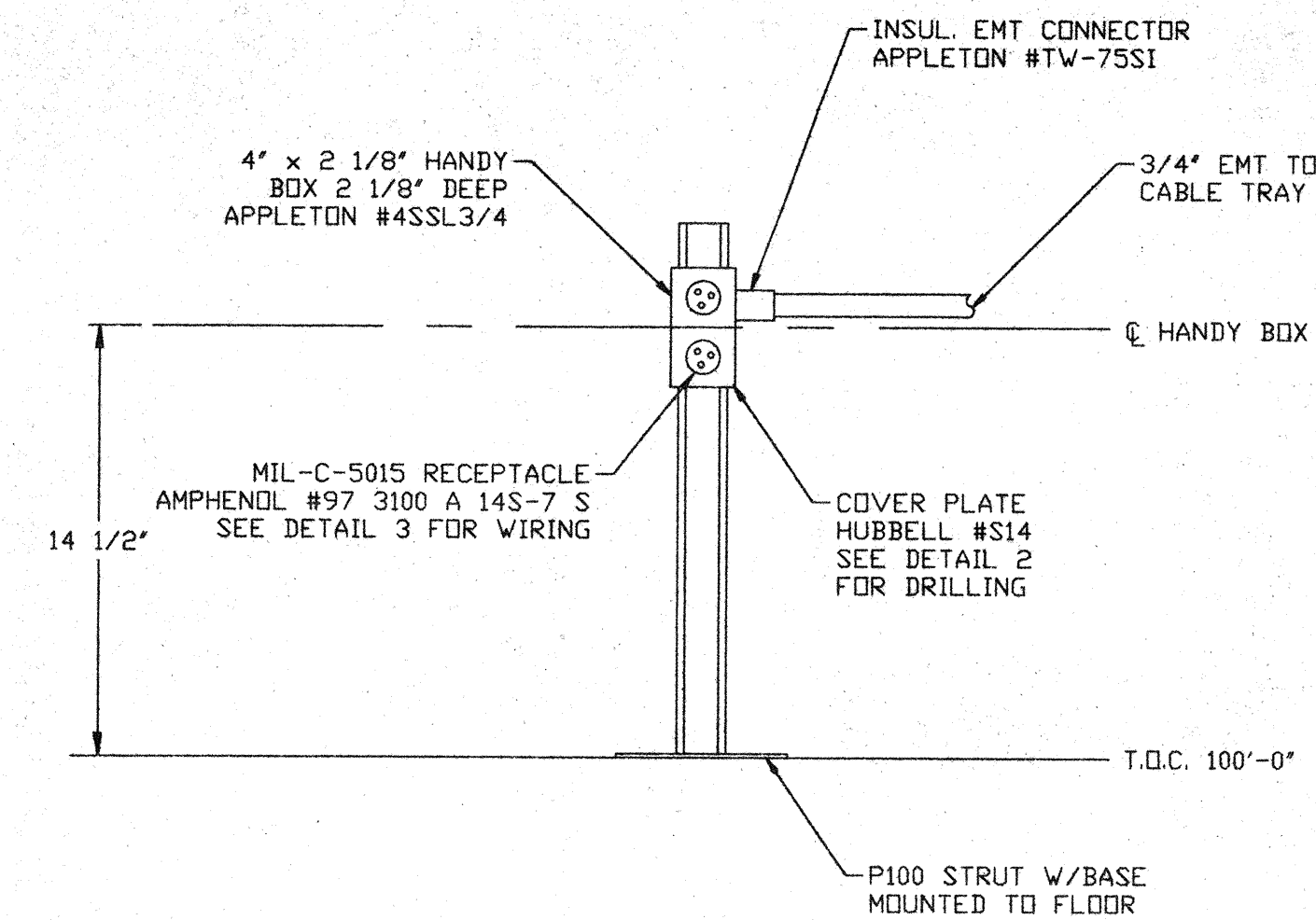
LEFT BEAM MANIFOLD DATA HIGHWAY INTERCONNECTION  
SEE PLAN FOR LOCATIONS



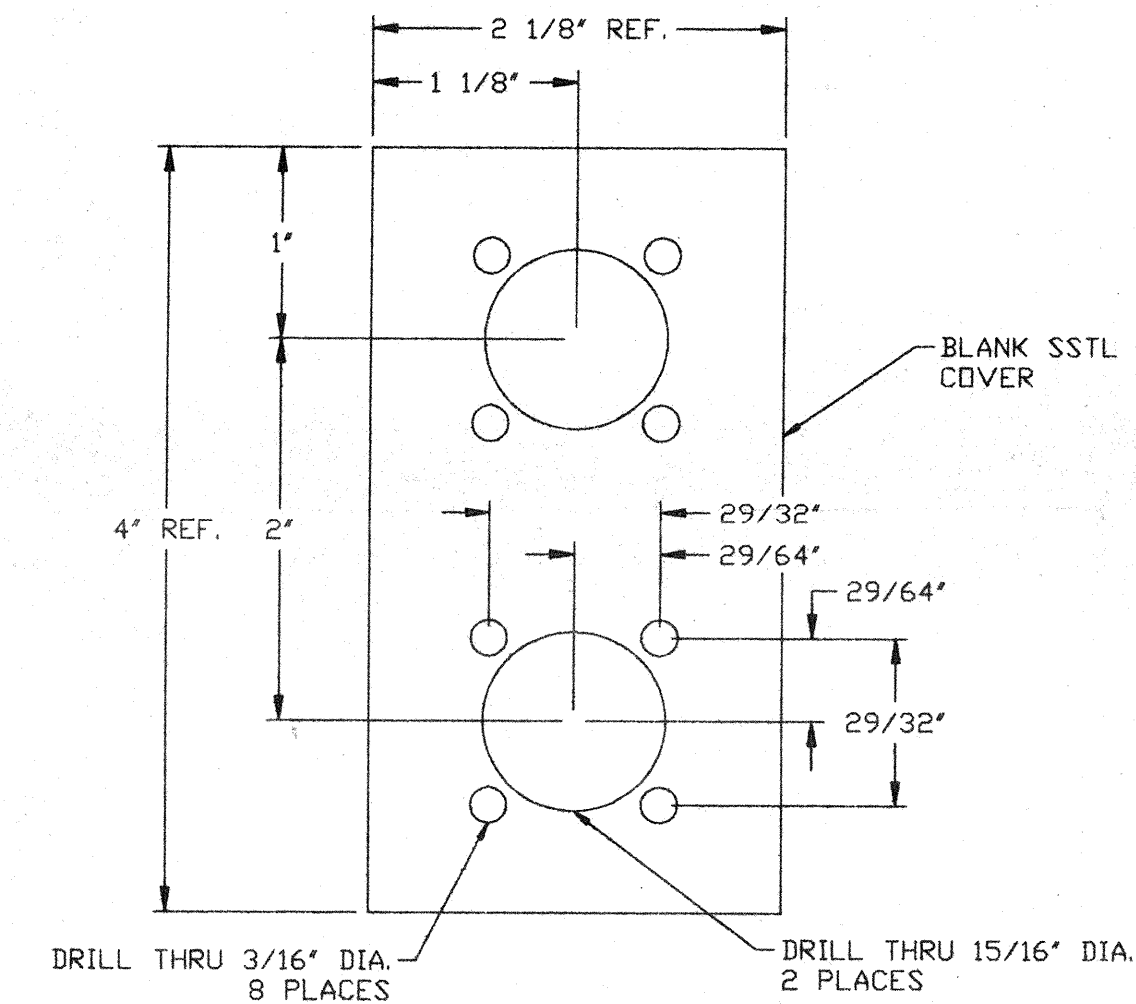
RIGHT BEAM MANIFOLD DATA HIGHWAY INTERCONNECTION  
SEE PLAN FOR LOCATIONS



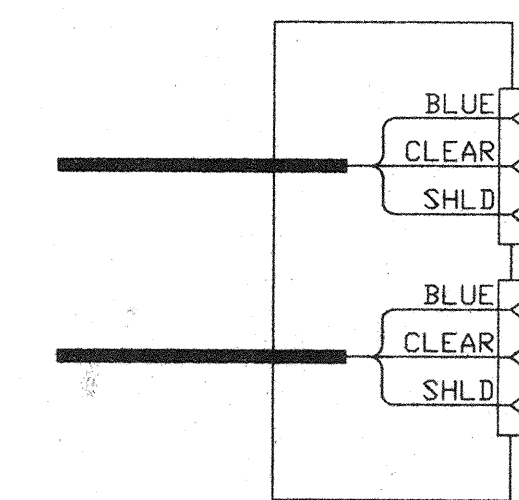
DIAGONAL SECTION DATA HIGHWAY INTERCONNECTION  
SEE PLAN FOR LOCATIONS



DETAIL 1  
DATA HIGHWAY CONNECTION BOX MOUNTING  
NOSCALE



DETAIL 2  
COVER PLATE DRILLING  
OMIT SECOND CONNECTOR HOLES FOR END CONNECTION BOXES  
NO SCALE



DETAIL 3  
CONNECTOR WIRING  
OMIT WIRING FOR SECOND CONNECTOR FOR END CONNECTION BOXES  
NO SCALE

PROPRIETARY AND CONFIDENTIAL

THIS DOCUMENT CONTAINS PROPRIETARY INFORMATION BELONGING TO PROCESS SYSTEMS INTERNATIONAL, INC. OR ITS AFFILIATED COMPANIES AND SHALL BE USED ONLY FOR THE PURPOSE FOR WHICH IT WAS SUPPLIED. IT SHALL NOT BE COPIED, REPRODUCED OR OTHERWISE USED, NOR SHALL SUCH INFORMATION BE FURNISHED IN WHOLE OR IN PART TO OTHERS EXCEPT IN ACCORDANCE WITH THE TERMS OF ANY AGREEMENT UNDER WHICH IT WAS SUPPLIED OR WITH THE PRIOR WRITTEN CONSENT OF PROCESS SYSTEMS INTERNATIONAL, INC. AND SHALL BE RETURNED UPON REQUEST.

UNLESS OTHERWISE SPECIFIED

DIMENSIONS ARE IN INCHES  
TOLERANCES:  
FRACTIONAL ±  
ANGULARMACH 40°-30' BEND ±2°  
TWO PLACE DECIMAL ±.01  
THREE PLACE DECIMAL ±.005  
FINISHED SURFACE RMS  
BREAK CORNERS IN OUT  
REMOVE ALL BURRS

DO NOT SCALE THIS DRAWING

USED ON:

NEXT ASS'Y:

0

REV

ISSUE FOR FDR

DESCRIPTION

ISSUE DESCRIPTION



PROCESS SYSTEMS INTERNATIONAL, INC.  
20 WALKUP DR. WESTBOROUGH, MASSACHUSETTS 01581 USA

DATA HIGHWAY INTERCONNECTION DIAG.  
LIGO VACUUM EQUIPMENT  
WASHINGTON SITE  
CORNER STATION

CAD FILE	SIZE	DWG. NO.	REV.
V0493131	D	V049-3-131	0
SCALE	NDINE	SHEET	1 OF 1

APR 30 1996

8 7 6 5 4 3 2 1