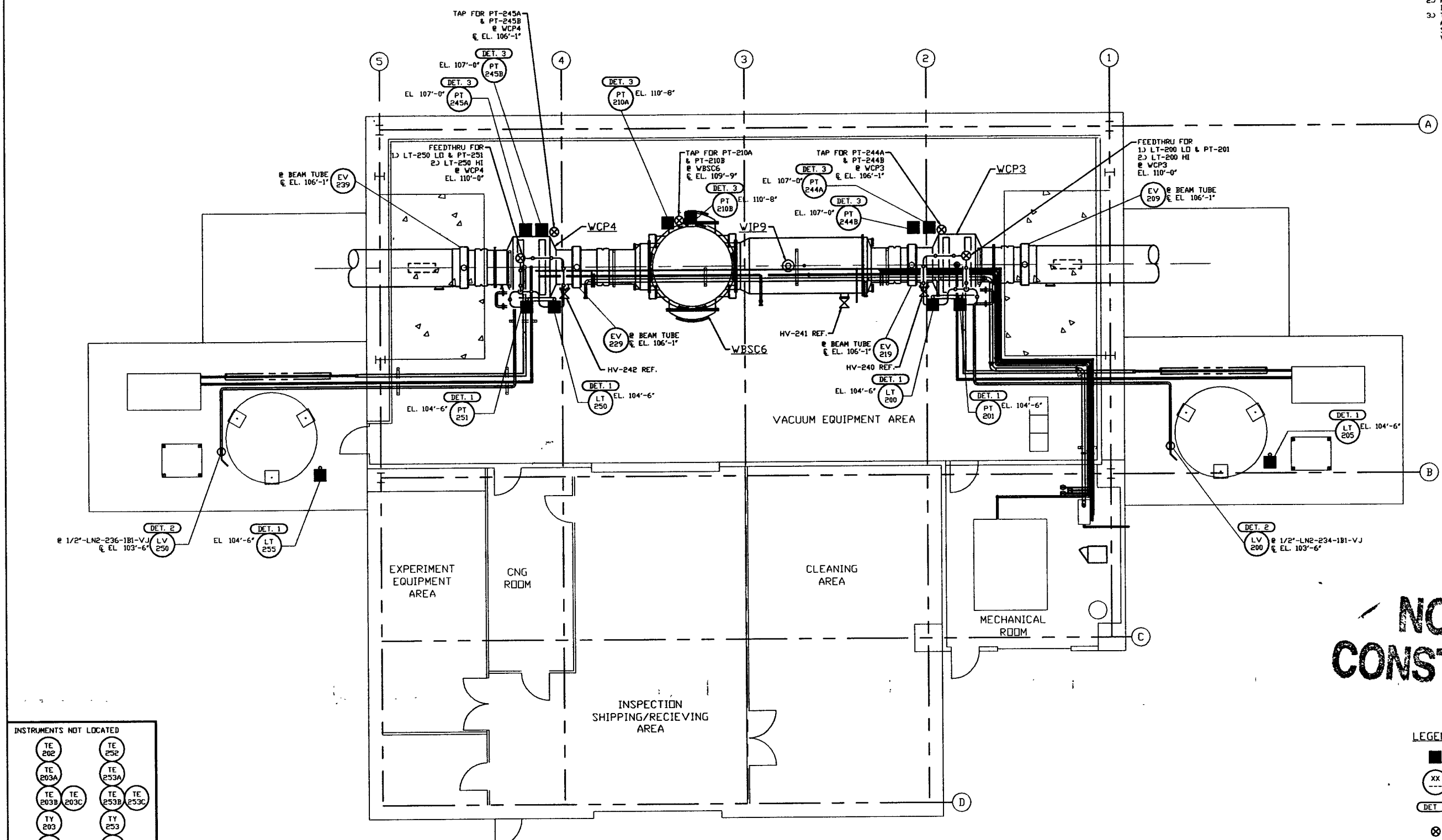


NOTES:

- 1) FOR INSTRUMENT INSTALLATION DETAILS SEE PSI DWG. #V049-3-008.
- 2) ALL INSTRUMENT AIR & PROCESS TUBING SHALL BE 3/8" O.D. x .049 THK SEAMLESS SSTL TYPE 316 TUBING ROUTING SHOWN ON PLAN IS DIAGRAMMATICAL AND SHALL BE FIELD VERIFIED SO AS TO OPTIMIZE SUPPORTING MEANS AND TO AVOID INTERFERENCES WITH CONDUIT & PIPING SYSTEMS.



NOT FOR
CONSTRUCTION

INSTRUMENTS NOT LOCATED

TE 202	TE 252
TE 203A	TE 253A
TE 203B	TE 253B
TE 203C	TE 253C
TY 203	TY 253
FE 204	FE 254
FI 204	FI 254
PCV 210	

- LEGEND**
- INSTRUMENT LOCATION
 - ⊗ INSTRUMENT IDENTIFICATION
 - ⊗ DET X INSTALLATION DETAIL (SEE NOTE 1)
 - ⊗ PROCESS TAP
 - PROCESS TUBING (SEE NOTE 2)

LIGO-D960575-00-V

<p>PROPRIETARY AND CONFIDENTIAL</p> <p>THIS DOCUMENT CONTAINS PROPRIETARY INFORMATION BELONGING TO PROCESS SYSTEMS INTERNATIONAL, INC. OR ITS AFFILIATED COMPANIES AND SHALL BE USED ONLY FOR THE PURPOSES FOR WHICH IT WAS SUPPLIED. IT SHALL NOT BE COPIED, REPRODUCED OR OTHERWISE USED FOR ANY PURPOSE OTHER THAN THAT FOR WHICH IT WAS SUPPLIED OR IN PART TO OTHERS EXCEPT IN ACCORDANCE WITH THE WRITTEN CONSENT OF PROCESS SYSTEMS INTERNATIONAL, INC. AND SHALL BE RETURNED UPON REQUEST.</p>	<table border="1" style="width: 100%; border-collapse: collapse;"> <tr> <td style="width: 10%;">7777</td> <td style="width: 25%;">EQUIP. ARRANGEMENT WASHINGTON LEFT MID STATION</td> <td style="width: 10%;"></td> <td style="width: 10%;"></td> <td style="width: 10%;"></td> <td style="width: 10%;"></td> </tr> <tr> <td>V049-3-008</td> <td>INSTRUMENT INSTALLATION DETAILS</td> <td></td> <td></td> <td></td> <td></td> </tr> <tr> <td>V049-3-002</td> <td>WASHINGTON OVERALL SITE PLAN</td> <td></td> <td></td> <td></td> <td></td> </tr> <tr> <td>V049-3-001</td> <td>GENERAL NOTES & LEGEND</td> <td></td> <td></td> <td></td> <td></td> </tr> <tr> <td>V049-0-011</td> <td>P & I D WASHINGTON LEFT MID STATION</td> <td></td> <td></td> <td></td> <td></td> </tr> <tr> <td>DWG. NO.</td> <td>DESCRIPTION</td> <td>DWG. NO.</td> <td>DESCRIPTION</td> <td></td> <td></td> </tr> <tr> <td></td> <td>REFERENCE DRAWINGS</td> <td></td> <td></td> <td></td> <td></td> </tr> </table>	7777	EQUIP. ARRANGEMENT WASHINGTON LEFT MID STATION					V049-3-008	INSTRUMENT INSTALLATION DETAILS					V049-3-002	WASHINGTON OVERALL SITE PLAN					V049-3-001	GENERAL NOTES & LEGEND					V049-0-011	P & I D WASHINGTON LEFT MID STATION					DWG. NO.	DESCRIPTION	DWG. NO.	DESCRIPTION				REFERENCE DRAWINGS					<p>UNLESS OTHERWISE SPECIFIED DIMENSIONS ARE IN INCHES</p> <p>TOLERANCES:</p> <p>FRACTIONAL & ANGULAR DIM. 1/16" - 3/32" BEND 1/8" TWO PLACE DECIMAL, & IN THREE PLACE DECIMAL, & ARE FINISHED SURFACE UNLESS OTHERWISE SPECIFIED. REMOVE ALL BURRS</p> <p>DO NOT SCALE THIS DRAWING</p> <p>USED ON: _____</p> <p>NEXT ASS'Y: _____</p>	<table border="1" style="width: 100%; border-collapse: collapse;"> <tr> <td style="width: 10%;">0</td> <td style="width: 20%;">ISSUE FOR FDR</td> <td style="width: 10%;">04.26.96</td> <td style="width: 10%;">0129</td> </tr> <tr> <td>REV</td> <td>DESCRIPTION</td> <td>CHKD</td> <td>DRWN</td> </tr> <tr> <td></td> <td></td> <td></td> <td></td> </tr> <tr> <td></td> <td>ISSUE DESCRIPTION</td> <td></td> <td></td> </tr> </table>	0	ISSUE FOR FDR	04.26.96	0129	REV	DESCRIPTION	CHKD	DRWN						ISSUE DESCRIPTION			<p>PROCESS SYSTEMS INTERNATIONAL, INC.</p> <p>20 WALKUP DR. WESTBOROUGH, MASSACHUSETTS 01581 USA</p>	<p style="text-align: center;">INSTRUMENT PLAN</p> <p style="text-align: center;">LIGO VACUUM EQUIPMENT</p> <p style="text-align: center;">WASHINGTON SITE</p> <p style="text-align: center;">LEFT MID STATION</p> <p>CAP FILE: V0493201 SIZE: D DWG. NO.: V049-3-201 REV: 0</p> <p>SCALE: 3/16" = 1' - 0" SHEET: 1 OF 1</p>
7777	EQUIP. ARRANGEMENT WASHINGTON LEFT MID STATION																																																														
V049-3-008	INSTRUMENT INSTALLATION DETAILS																																																														
V049-3-002	WASHINGTON OVERALL SITE PLAN																																																														
V049-3-001	GENERAL NOTES & LEGEND																																																														
V049-0-011	P & I D WASHINGTON LEFT MID STATION																																																														
DWG. NO.	DESCRIPTION	DWG. NO.	DESCRIPTION																																																												
	REFERENCE DRAWINGS																																																														
0	ISSUE FOR FDR	04.26.96	0129																																																												
REV	DESCRIPTION	CHKD	DRWN																																																												
	ISSUE DESCRIPTION																																																														