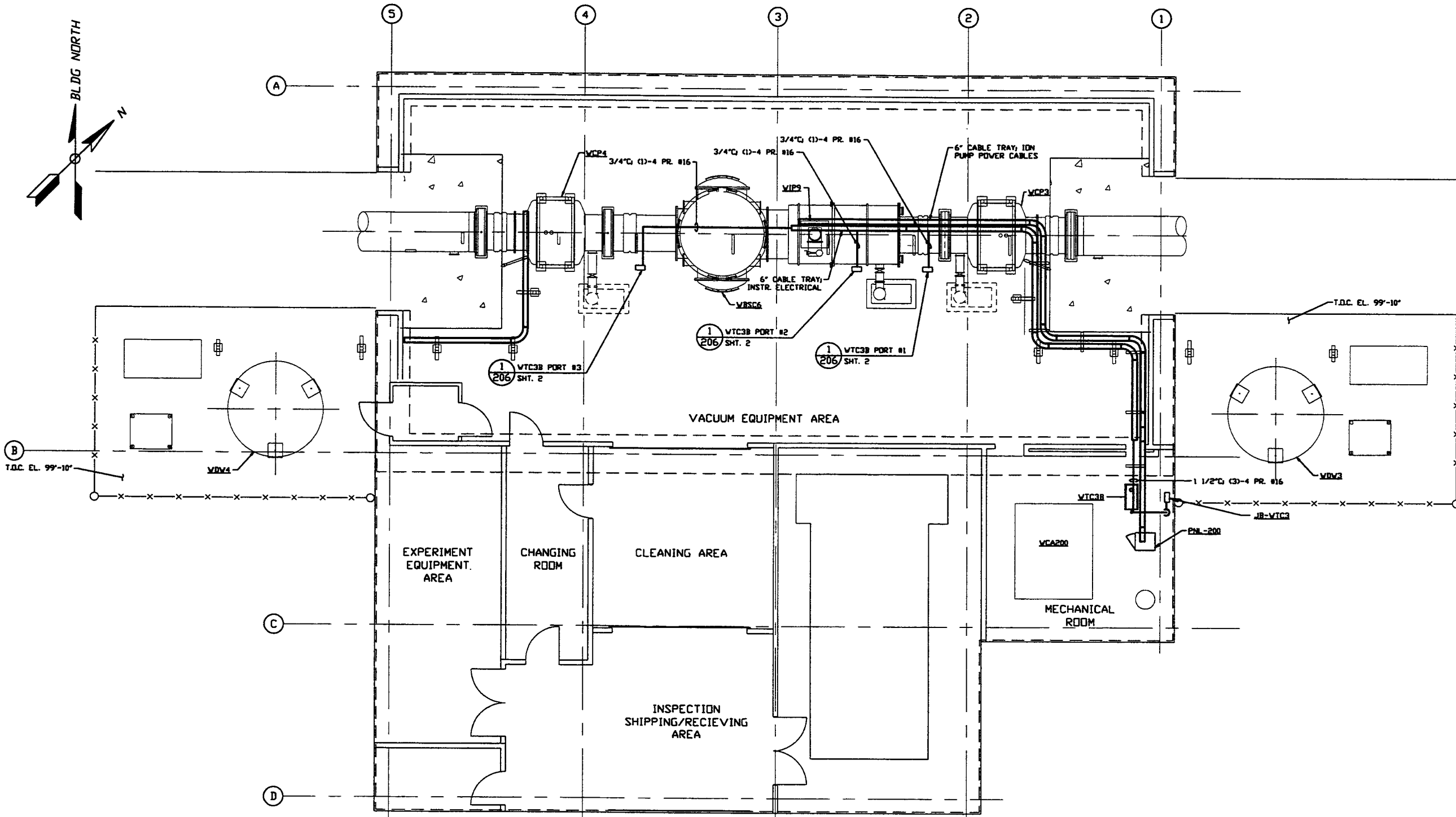
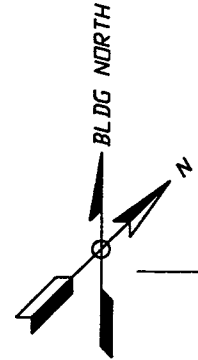
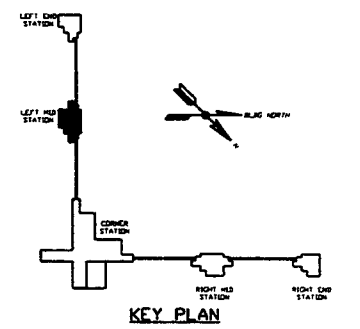


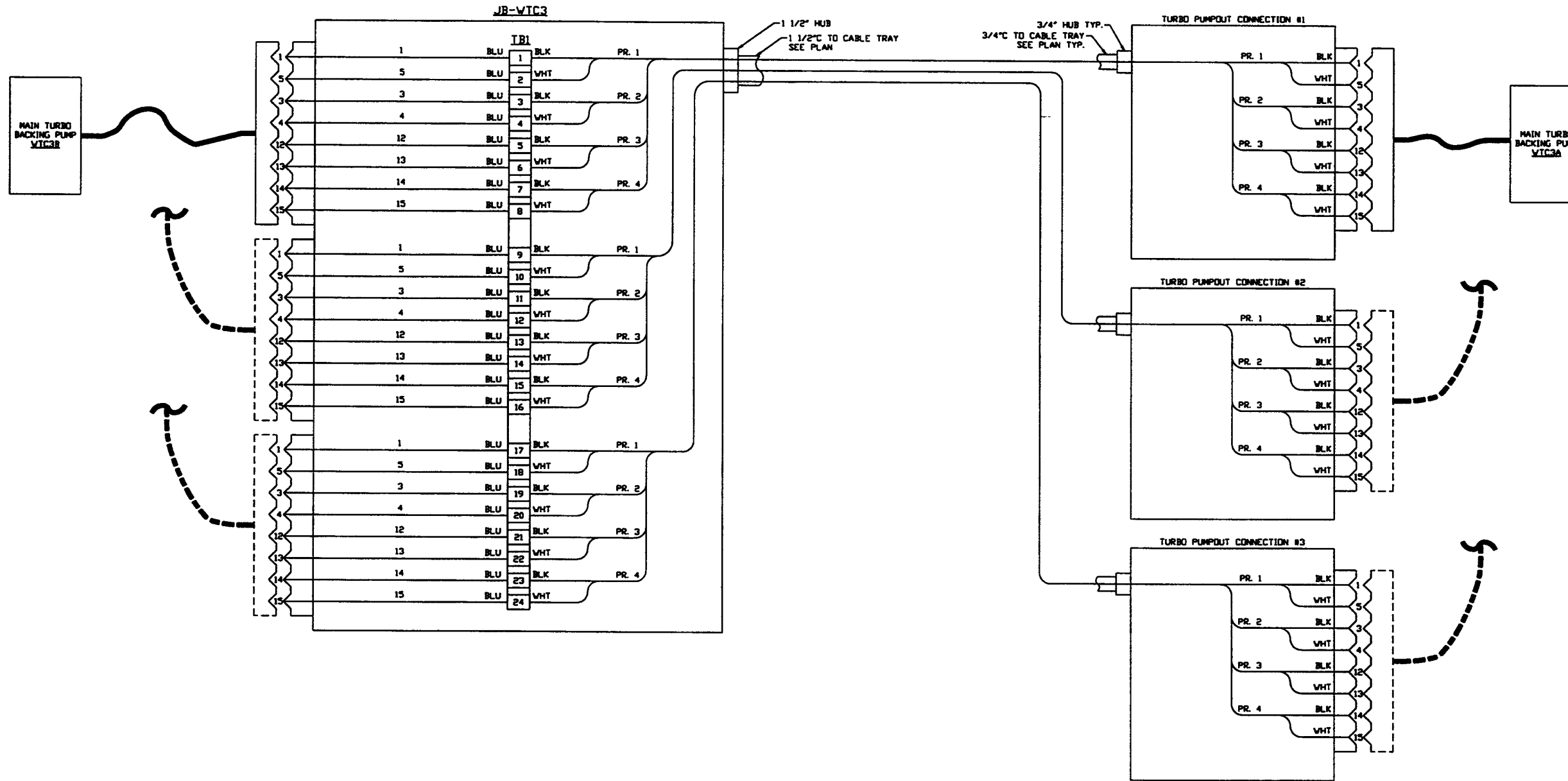
- NOTES:**
- 1) FOR GENERAL NOTES & LEGEND SEE PSI DVG. #V049-3-001 SHT. 1.
  - 2) FOR LIST OF CIVILL CONTRACTOR REFERENCE DWGS. WITH CURRENT REVISIONS SEE PSI DVG. #V049-3-001 SHT. 2.
  - 3) CONDUIT IS SHOWN DIAGRAMMATICALLY AND SHALL BE FIELD VERIFIED SO AS TO OPTIMIZE SUPPORTING MEANS AND TO AVOID INTERFERENCES WITH PIPING SYSTEMS.
  - 4) IDENTIFY ALL CONNECTION BOXES WITH BLACK PHENOLIC TAGS WITH WHITE LETTERING. LETTERING SHALL BE 3/8" HIGH.
  - 5) ALL CONDUIT SHALL BE EMT UNLESS OTHERWISE NOTED.



LEFT MID STATION PLAN @ EL. 100'-0"




<b>PROPRIETARY AND CONFIDENTIAL</b> THIS DOCUMENT CONTAINS PROPRIETARY INFORMATION BELONGING TO PROCESS SYSTEMS INTERNATIONAL, INC. OR ITS AFFILIATED COMPANIES AND SHALL BE USED ONLY FOR THE PURPOSE FOR WHICH IT WAS SUPPLIED. IT SHALL NOT BE COPIED, REPRODUCED OR OTHERWISE USED FOR ANY OTHER PURPOSE WITHOUT THE WRITTEN CONSENT OF PROCESS SYSTEMS INTERNATIONAL, INC. AND SHALL BE RETURNED UPON REQUEST.				UNLESS OTHERWISE SPECIFIED DIMENSIONS ARE IN INCHES TOLERANCES: FRACTIONAL & DECIMALS: ±0.015" HOLE/SHAFT: ±0.005" TWO PLACE DECIMAL: ±0.01" THREE PLACE DECIMAL: ±0.005" FINISHED SURFACE ARE BEAVE CORNERS TO OUT-REMOVE ALL BARRS								<b>PROCESS SYSTEMS INTERNATIONAL, INC.</b> 20 WALCUP DR. WESTBOROUGH, MASSACHUSETTS 01581 USA <b>VACUUM CART INTERFACE PLAN</b> <b>LIGO VACUUM EQUIPMENT</b> <b>WASHINGTON SITE</b> <b>LEFT MID STATION</b>	
V049-3-202	CABLE TRAY PLAN LEFT MID STATION			2	ISSUE FOR CONSTRUCTION	RED	DMCW	RJV	05.12.97	0480			
V049-3-002	OVERALL SITE PLAN WASHINGTON			1	ISSUE FOR FOR UPDATE & BID				11.25.96	0355			
V049-3-001	GENERAL NOTES, LEGEND & DRAWING LIST			0	ISSUE FOR FOR		DMCW	FAB	04.26.96	0129			
DVG. NO.	DESCRIPTION	DVG. NO.	DESCRIPTION	REV	DESCRIPTION	CHKD	DRWN	DATE	DED				
REFERENCE DRAWINGS				ISSUE DESCRIPTION									



MAIN TURBO CART INTERFACE WIRING DIAGRAM

DETAIL 1 REF.  
SCALE: NONE V049-3-201

SEE SHEET 1 FOR REVISIONS

 <b>PROCESS SYSTEMS INTERNATIONAL INC.</b> 20 WALCUP DR. WESTBOROUGH, MASSACHUSETTS 01581 USA			
<b>VACUUM CARTS INTERFACE PLAN</b> <b>LIGD VACUUM EQUIPMENT</b> <b>WASHINGTON SITE</b> <b>LEFT MID STATION</b>			
CAD FILE	SIZE	ENG. NO.	REV.
V0493206\3206S2	D	V049-3-206	2
SCALE	SHEET		
NONE	2 OF 2		

8 | 7 | 6 | 5 | 4 | 3 | 2 | 1