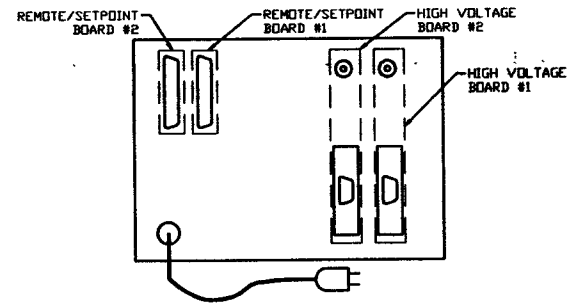
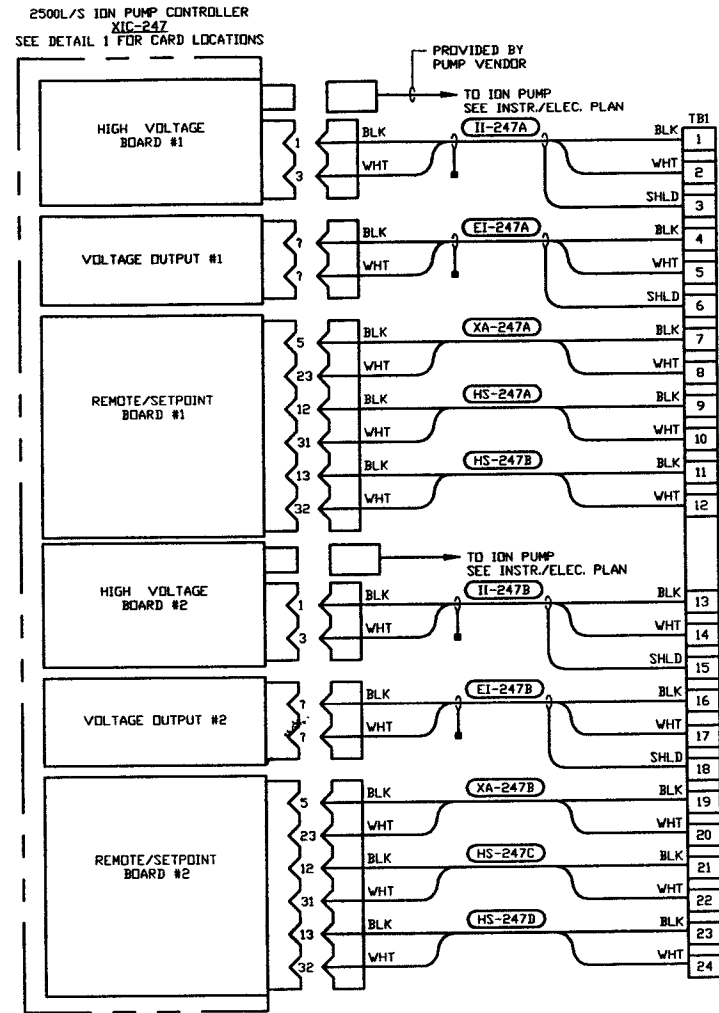


NOTES:
1) ALL WIRING IS #18 AWG



DETAIL 1
REAR VIEW OF ION PUMP CONTROLLER
NO SCALE

**NOT FOR
CONSTRUCTION**

LIGO-D960581-00-V

<p>PROPRIETARY AND CONFIDENTIAL</p> <p>THIS DOCUMENT CONTAINS PROPRIETARY INFORMATION BELONGING TO PROCESS SYSTEMS INTERNATIONAL, INC. OR ITS AFFILIATED COMPANIES AND SHALL BE USED ONLY FOR THE PURPOSE FOR WHICH IT WAS SUPPLIED. IT SHALL NOT BE COPIED, REPRODUCED OR OTHERWISE USED, NOR SHALL SUCH INFORMATION BE FURNISHED IN WHOLE OR IN PART TO OTHERS EXCEPT IN ACCORDANCE WITH THE TERMS OF ANY AGREEMENT UNDER WHICH IT WAS SUPPLIED OR WITH THE PRIOR WRITTEN CONSENT OF PROCESS SYSTEMS INTERNATIONAL, INC. AND SHALL BE RETURNED UPON REQUEST.</p>		<p>UNLESS OTHERWISE SPECIFIED DIMENSIONS ARE IN INCHES</p> <p>TOLERANCES: FRACTIONAL & DECIMALS: .005" HOLE: .005" TWO PLACE DECIMAL: .01" THREE PLACE DECIMAL: .005" FINISHED SURFACE: .015" BREAK CORNERS: .015" REMOVE ALL BURRS</p>		<p>DO NOT SCALE THIS DRAWING</p>		<p>ISSUE FOR FDR</p>		<p>04.26.96 0129</p>		<p>PROCESS SYSTEMS INTERNATIONAL, INC. 20 WALKUP DR. WESTBOROUGH, MASSACHUSETTS 01581 USA</p>	
<p>V049-3-203 INSTRUMENT ELECTRICAL PLAN LEFT BEAM MANIFOLD</p>		<p>V049-3-202 CABLE TRAY PLAN LEFT BEAM MANIFOLD</p>		<p>USED ON</p>		<p>REV</p>		<p>DESCRIPTION</p>		<p>CHKD D.W. FAB 12/96</p>	
<p>DWG. NO.</p>		<p>DESCRIPTION</p>		<p>ISSUE DESCRIPTION</p>		<p>SCALE</p>		<p>NONE</p>		<p>SHEET 1 OF 1</p>	