

NOT FOR CONSTRUCTION

LIGO-D960582-00-Y

**PROPRIETARY AND CONFIDENTIAL**  
 THIS DOCUMENT CONTAINS PROPRIETARY INFORMATION BELONGING TO PROCESS SYSTEMS INTERNATIONAL, INC. OR ITS AFFILIATED COMPANIES AND SHALL BE USED ONLY FOR THE PURPOSE FOR WHICH IT WAS SUPPLIED. IT SHALL NOT BE COPIED, REPRODUCED OR OTHERWISE FURNISHED IN WHOLE OR IN PART TO OTHERS EXCEPT IN ACCORDANCE WITH THE TERMS OF ANY AGREEMENT UNDER WHICH IT WAS SUPPLIED OR WITH THE PRIOR WRITTEN CONSENT OF PROCESS SYSTEMS INTERNATIONAL, INC. AND SHALL BE RETURNED UPON REQUEST.

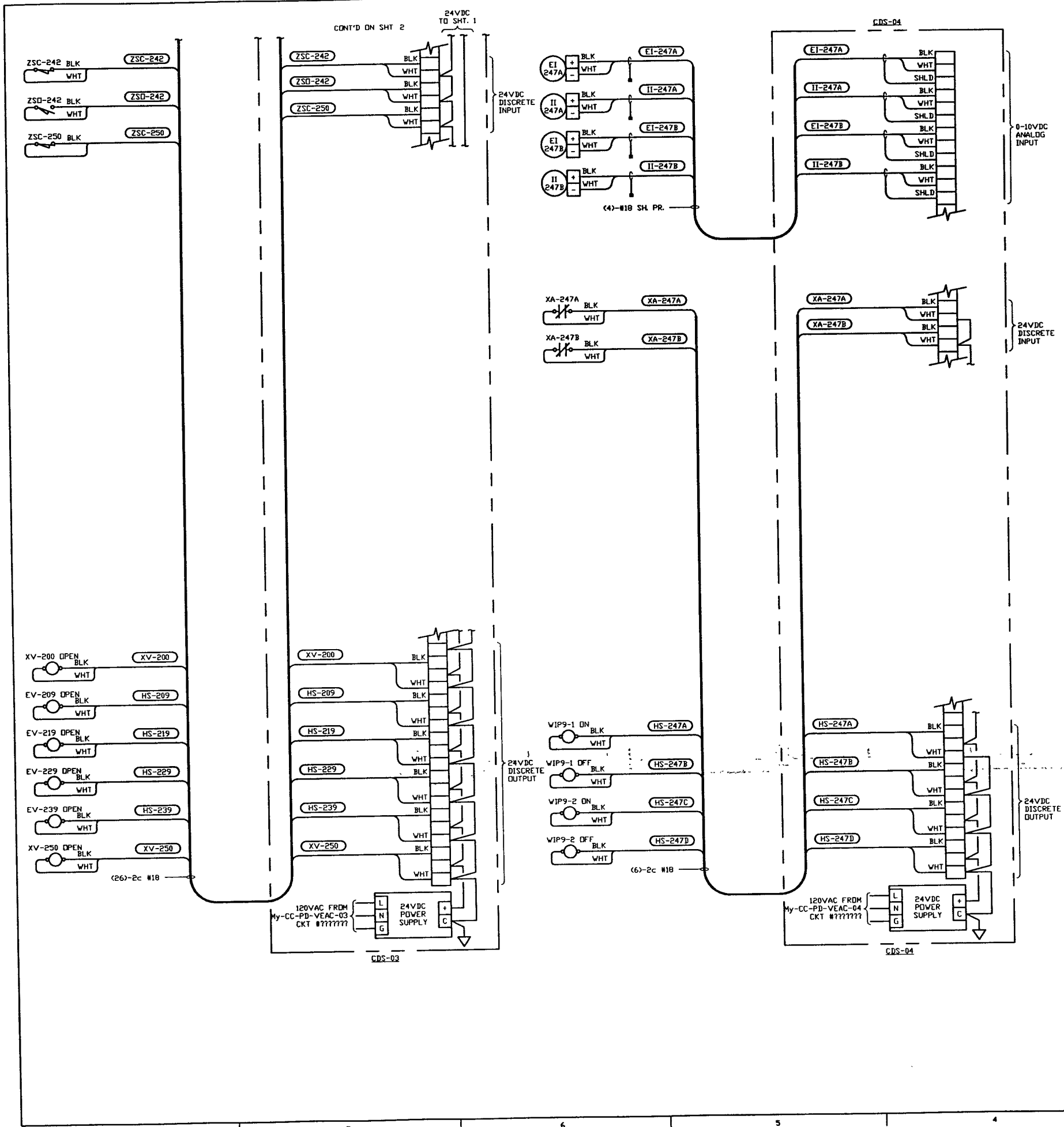
BVG. NO.	DESCRIPTION	BVG. NO.	DESCRIPTION

UNLESS OTHERWISE SPECIFIED DIMENSIONS ARE IN INCHES  
 FRACTIONS: 16" x 20" BOMB AS 1/4 PLACE DECIMAL, 1/8" THREE PLACE DECIMAL, 1/32" FINISHED SURFACE DIMS BREAK CORNERS IN 1/8" REMOVE ALL BURRS

DO NOT SCALE THIS DRAWING	ISSUE FOR FDR	DATE	DESN	CHKD	DRWN	DATE	DESN
		04.26.96	0129				

**PROCESS SYSTEMS INTERNATIONAL, INC.**  
 20 WALKUP DR. WESTBOROUGH, MASSACHUSETTS 01581 USA  
**CDS INTERFACE DIAGRAM**  
**LIGO VACUUM EQUIPMENT**  
**WASHINGTON SITE**  
**LEFT MID STATION**

CAD FILE	SIZE	BVG. NO.	REV.
V0493208\3208S1	D	V049-3-208	0
SCALE	NONE	SHEET	1 OF 2



NOT FOR CONSTRUCTION

SEE SHEET 1 FOR REVISIONS

<b>PROCESS SYSTEMS INTERNATIONAL INC.</b> 20 WALKUP DR. WESTBOROUGH, MASSACHUSETTS 01581 USA			
<b>CDS INTERFACE DIAGRAM</b> <b>LIGO VACUUM EQUIPMENT</b> <b>WASHINGTON SITE</b> <b>LEFT MID STATION</b>			
CAD FILE V0493208\320852	SIZE D	DWG NO. V049-3-208	REV. 0
SCALE NONE	SHEET 2 OF 2		

4160-D96C-2-00-Y