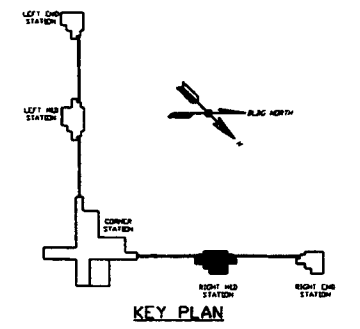
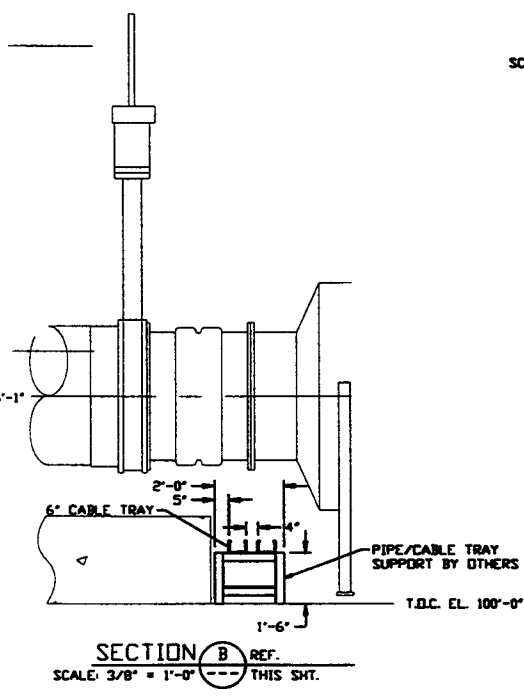
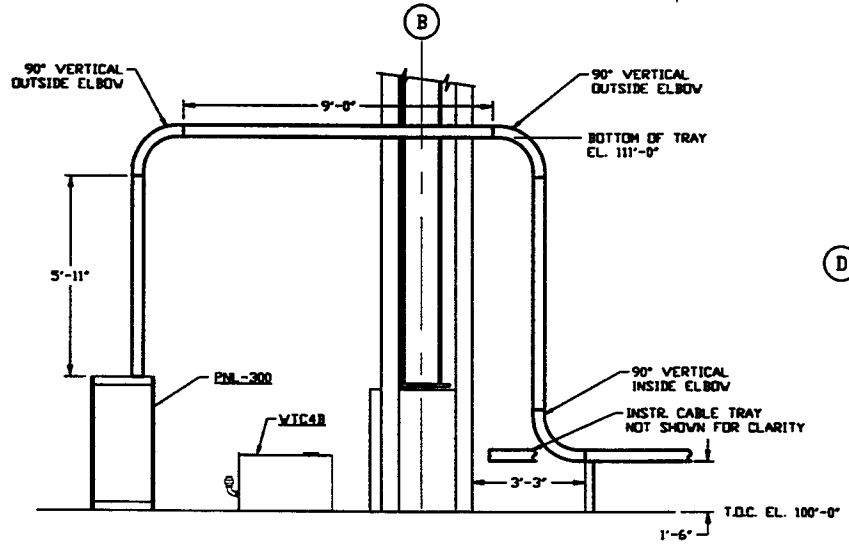
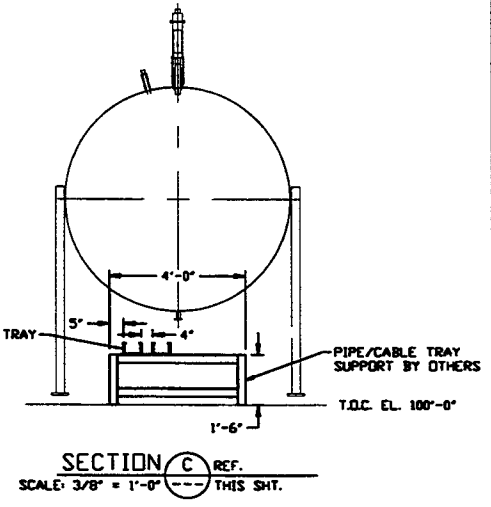
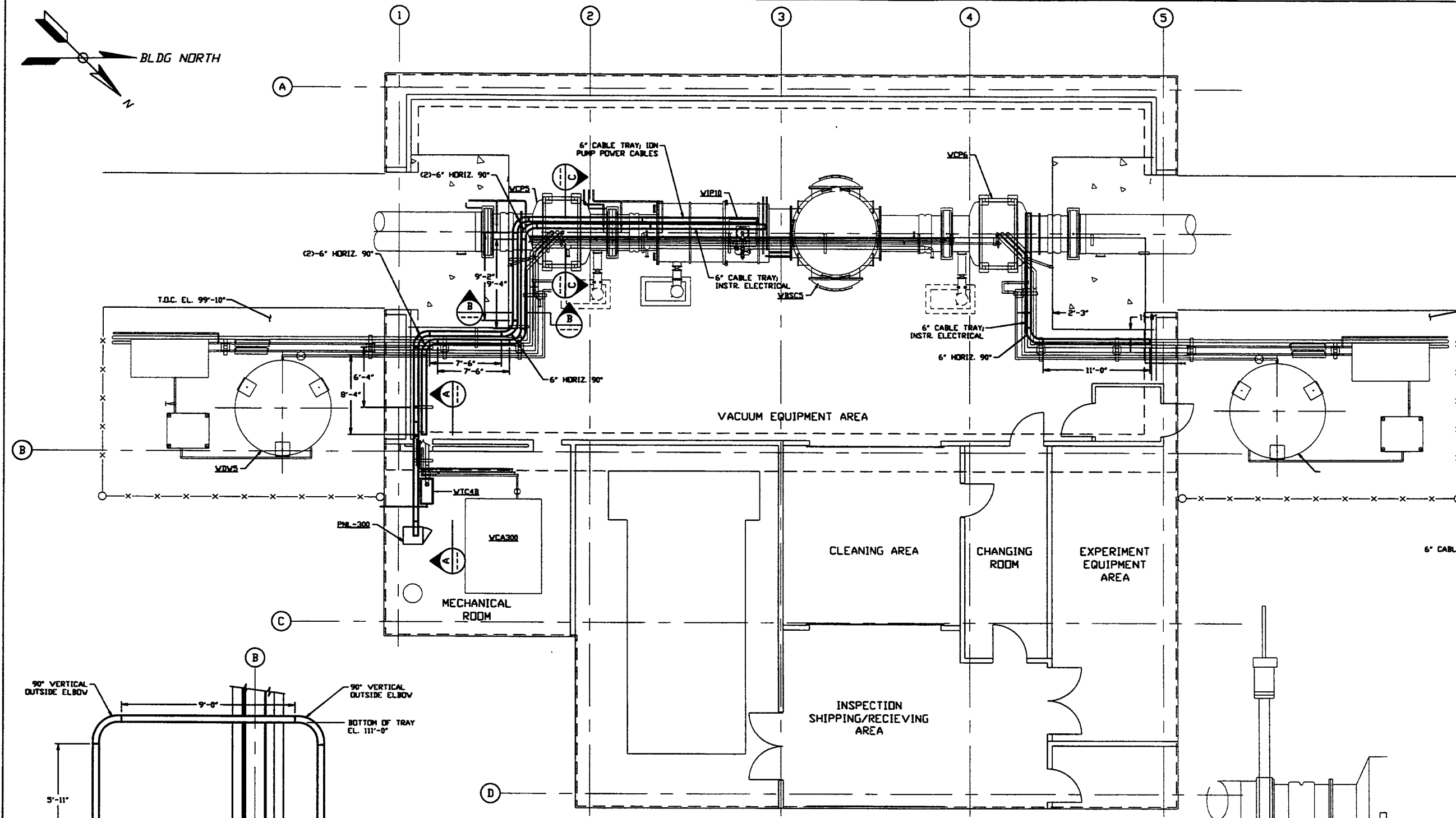


- NOTES:**
- 1) FOR GENERAL NOTES & LEGEND SEE PSI DWG. #V049-3-001 SHT. 1.
 - 2) FOR LIST OF CIVIL CONTRACTOR REFERENCE DWGS. WITH CURRENT REVISIONS SEE PSI DWG. #V049-3-001 SHT. 2.
 - 3) ALL CABLE TRAY LENGTHS ARE 12'-0" UNLESS OTHERWISE SPECIFIED.
 - 4) ALL CABLE TRAY SHALL BE GROUNDED PER N.E.C.
 - 5) ALL CABLE TRAY SHALL BE FIELD SUPPORTED.
 - 6) CABLE TRAY FOR ION PUMP POWER CABLES SHALL BE LABELED "DANGER HIGH VOLTAGE".
 - 7) CABLE TRAY SHALL BE LADDER TYPE AND SHALL MEET LOAD/SPAN CLASS DESIGNATION 12A. CABLE TRAY SHALL BE OF ALUMINUM CONSTRUCTION.
 - 8) CABLE TRAY SHALL HAVE SIDE CHANNEL FLANGES IN
 - 9) DIMENSIONS TO CABLE TRAY ARE MEASURED TO THE OUTSIDE EDGE OF FLANGE.



RIGHT MID STATION PLAN @ EL. 100'-0"

PROPRIETARY AND CONFIDENTIAL THIS DOCUMENT CONTAINS PROPRIETARY INFORMATION BELONGING TO PROCESS SYSTEMS INTERNATIONAL, INC. OR ITS AFFILIATED COMPANIES AND SHALL BE USED ONLY FOR THE PURPOSE FOR WHICH IT WAS SUPPLIED. IT SHALL NOT BE COPIED, REPRODUCED OR OTHERWISE USED FOR ANY OTHER PURPOSE WITHOUT THE WRITTEN CONSENT OF PROCESS SYSTEMS INTERNATIONAL, INC. AND SHALL BE RETURNED UPON REQUEST.		UNLESS OTHERWISE SPECIFIED DIMENSIONS ARE IN INCHES TOLERANCES: FRACTIONAL & DECIMALS: AS SHOWN TWO PLACE DECIMAL: ± .01 FINISHED SURFACE: ± .015 BREAK CORNERS TO REMOVE ALL SHARP OUT-		2 ISSUE FOR CONSTRUCTION 1 ISSUE FOR FOR UPDATE & BID 0 ISSUE FOR FOR		REB DMCV RJW 03.12.97 0480 DMCV FAB RJW 04.26.96 0129		CAP FILE V0493302 SHEET D DWG. NO. V049-3-302 REV. 2	
WASHINGTON OVERALL SITE PLAN GENERAL NOTES & LEGEND		DVG. NO. DESCRIPTION		DO NOT SCALE THIS DRAWING USED ON: NEXT ASS'Y.		ISSUE DESCRIPTION		SCALE: 3/16" = 1' - 0" SHEET 1 OF 1	