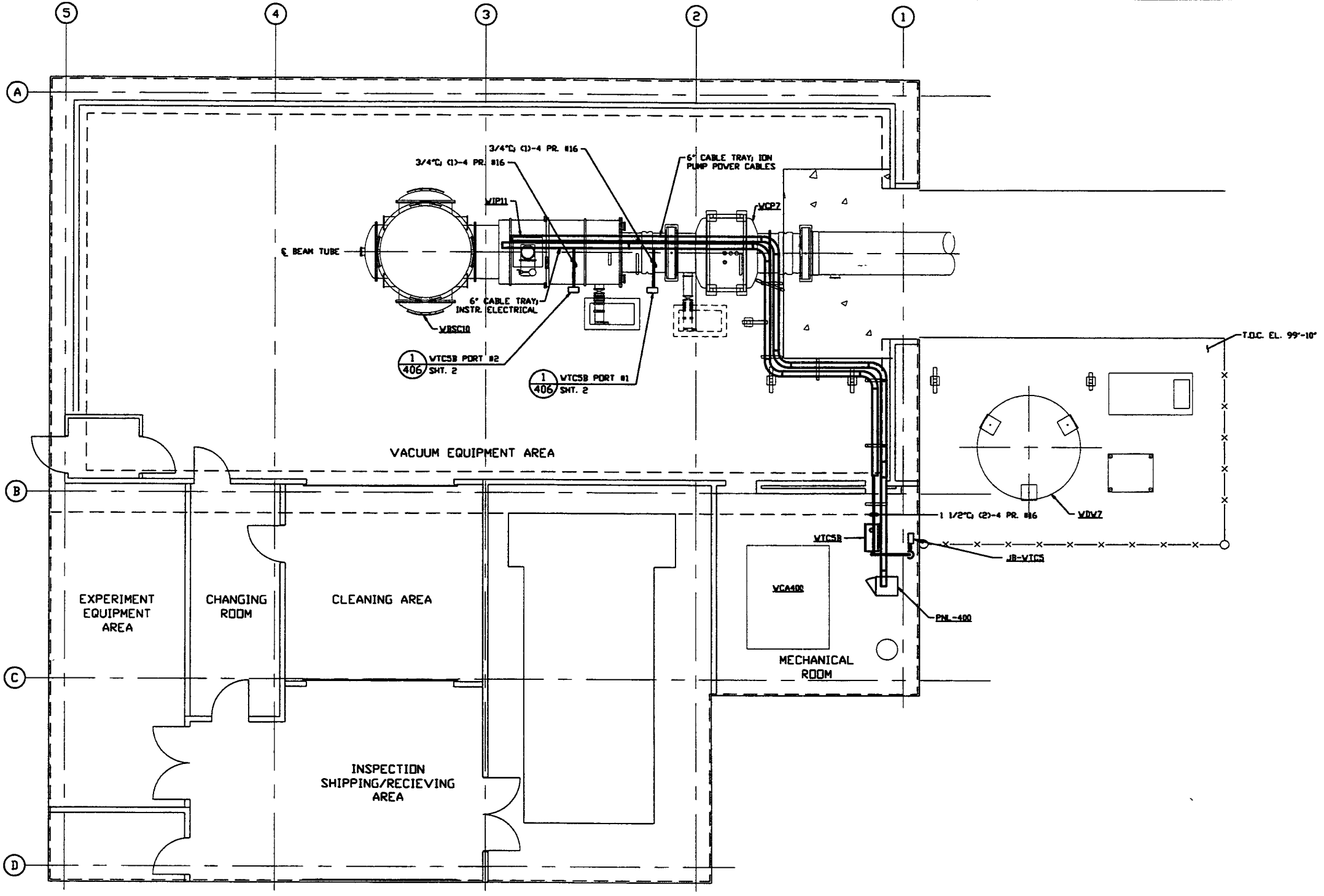
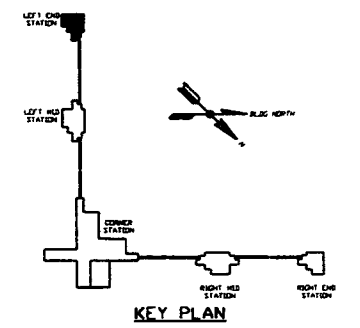


- NOTES:**
- 1.) FOR GENERAL NOTES & LEGEND SEE PSI DVG. #V049-3-001 SHT. 1
 - 2.) FOR LIST OF CIVIL CONTRACTOR REFERENCE DWGS. WITH CURRENT REVISIONS SEE PSI DVG. #V049-3-001 SHT. 2
 - 3.) CONDUIT IS SHOWN DIAGRAMMATICALLY AND SHALL BE FIELD VERIFIED SO AS TO OPTIMIZE SUPPORTING MEANS AND TO AVOID INTERFERENCES WITH PIPING SYSTEMS.
 - 4.) IDENTIFY ALL CONNECTION BOXES WITH BLACK PHENOLIC TAGS WITH WHITE LETTERING. LETTERING SHALL BE 3/8" HIGH.
 - 5.) ALL CONDUIT SHALL BE EMT UNLESS OTHERWISE NOTED.



LEFT END STATION PLAN @ EL. 100'-0"



<p>PROPRIETARY AND CONFIDENTIAL</p> <p>THIS DOCUMENT CONTAINS PROPRIETARY INFORMATION BELONGING TO PROCESS SYSTEMS INTERNATIONAL, INC. OR ITS AFFILIATED COMPANIES AND SHALL BE USED ONLY FOR THE PURPOSES FOR WHICH IT WAS SUPPLIED. IT SHALL NOT BE COPIED, REPRODUCED OR OTHERWISE USED, FOR SHALL SUCH INFORMATION BE FURNISHED IN WHOLE OR IN PART TO OTHERS WITHOUT THE WRITTEN CONSENT OF PROCESS SYSTEMS INTERNATIONAL, INC. AND SHALL BE RETURNED UPON REQUEST.</p>		<p>UNLESS OTHERWISE SPECIFIED DIMENSIONS ARE IN INCHES</p> <p>TOLERANCES:</p> <p>FRACTIONAL & DECIMALS: ±0.005</p> <p>ANGLES: ±0.005</p> <p>THREE PLACE DECIMALS: ±0.005</p> <p>FURNISHED SURFACE THIS SIDE CORNERS TO BE ROUNDED</p>		<p>DO NOT SCALE THIS DRAWING</p> <p>USED ON: _____</p> <p>NEXT ASS'Y: _____</p>		<p>2 ISSUE FOR CONSTRUCTION</p> <p>1 ISSUE FOR FOR UPDATE & BID</p> <p>0 ISSUE FOR FOR</p>		<p>REV: _____</p> <p>DESCRIPTION: _____</p>		<p>DATE: 05.12.97</p> <p>BY: R.J.V.</p> <p>DATE: 11.25.96</p> <p>BY: R.J.V.</p> <p>DATE: 04.26.96</p> <p>BY: R.J.V.</p>		<p>SCALE: 3/16" = 1' - 0"</p> <p>SHEET: 1 OF 2</p>	
<p>THIS DOCUMENT CONTAINS PROPRIETARY INFORMATION BELONGING TO PROCESS SYSTEMS INTERNATIONAL, INC. OR ITS AFFILIATED COMPANIES AND SHALL BE USED ONLY FOR THE PURPOSES FOR WHICH IT WAS SUPPLIED. IT SHALL NOT BE COPIED, REPRODUCED OR OTHERWISE USED, FOR SHALL SUCH INFORMATION BE FURNISHED IN WHOLE OR IN PART TO OTHERS WITHOUT THE WRITTEN CONSENT OF PROCESS SYSTEMS INTERNATIONAL, INC. AND SHALL BE RETURNED UPON REQUEST.</p>		<p>UNLESS OTHERWISE SPECIFIED DIMENSIONS ARE IN INCHES</p> <p>TOLERANCES:</p> <p>FRACTIONAL & DECIMALS: ±0.005</p> <p>ANGLES: ±0.005</p> <p>THREE PLACE DECIMALS: ±0.005</p> <p>FURNISHED SURFACE THIS SIDE CORNERS TO BE ROUNDED</p>		<p>DO NOT SCALE THIS DRAWING</p> <p>USED ON: _____</p> <p>NEXT ASS'Y: _____</p>		<p>2 ISSUE FOR CONSTRUCTION</p> <p>1 ISSUE FOR FOR UPDATE & BID</p> <p>0 ISSUE FOR FOR</p>		<p>REV: _____</p> <p>DESCRIPTION: _____</p>		<p>DATE: 05.12.97</p> <p>BY: R.J.V.</p> <p>DATE: 11.25.96</p> <p>BY: R.J.V.</p> <p>DATE: 04.26.96</p> <p>BY: R.J.V.</p>		<p>SCALE: 3/16" = 1' - 0"</p> <p>SHEET: 1 OF 2</p>	
<p>THIS DOCUMENT CONTAINS PROPRIETARY INFORMATION BELONGING TO PROCESS SYSTEMS INTERNATIONAL, INC. OR ITS AFFILIATED COMPANIES AND SHALL BE USED ONLY FOR THE PURPOSES FOR WHICH IT WAS SUPPLIED. IT SHALL NOT BE COPIED, REPRODUCED OR OTHERWISE USED, FOR SHALL SUCH INFORMATION BE FURNISHED IN WHOLE OR IN PART TO OTHERS WITHOUT THE WRITTEN CONSENT OF PROCESS SYSTEMS INTERNATIONAL, INC. AND SHALL BE RETURNED UPON REQUEST.</p>		<p>UNLESS OTHERWISE SPECIFIED DIMENSIONS ARE IN INCHES</p> <p>TOLERANCES:</p> <p>FRACTIONAL & DECIMALS: ±0.005</p> <p>ANGLES: ±0.005</p> <p>THREE PLACE DECIMALS: ±0.005</p> <p>FURNISHED SURFACE THIS SIDE CORNERS TO BE ROUNDED</p>		<p>DO NOT SCALE THIS DRAWING</p> <p>USED ON: _____</p> <p>NEXT ASS'Y: _____</p>		<p>2 ISSUE FOR CONSTRUCTION</p> <p>1 ISSUE FOR FOR UPDATE & BID</p> <p>0 ISSUE FOR FOR</p>		<p>REV: _____</p> <p>DESCRIPTION: _____</p>		<p>DATE: 05.12.97</p> <p>BY: R.J.V.</p> <p>DATE: 11.25.96</p> <p>BY: R.J.V.</p> <p>DATE: 04.26.96</p> <p>BY: R.J.V.</p>		<p>SCALE: 3/16" = 1' - 0"</p> <p>SHEET: 1 OF 2</p>	

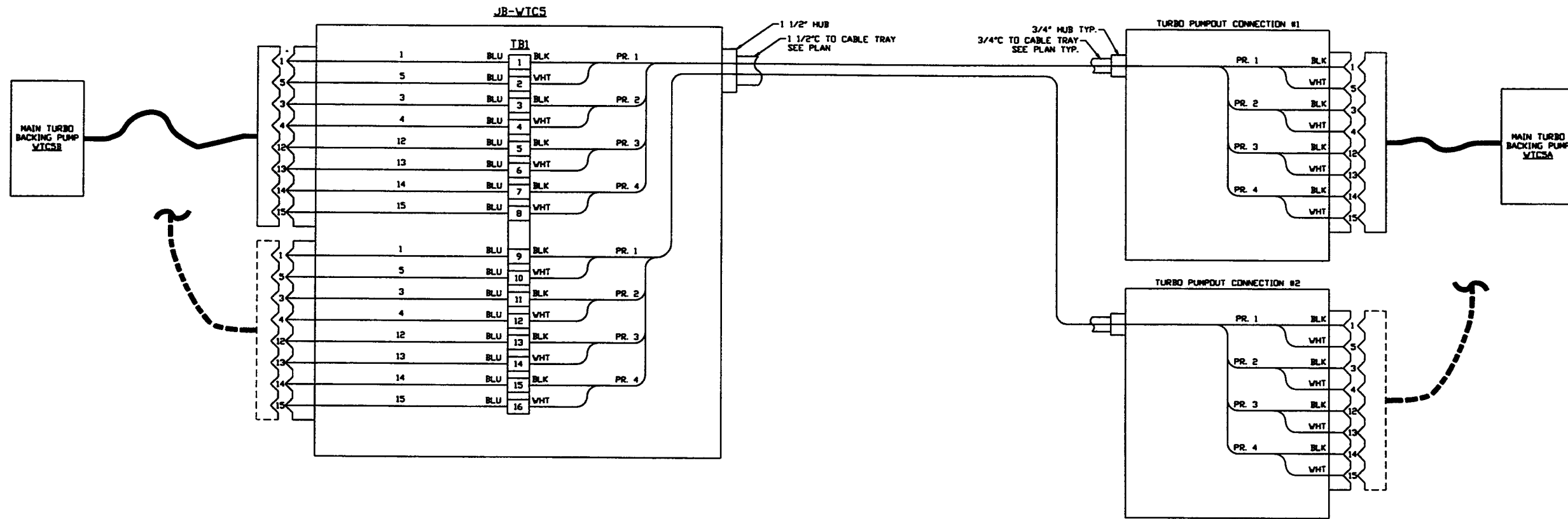
PROCESS SYSTEMS INTERNATIONAL, INC.
 20 WALCUP DR. WESTBOROUGH, MASSACHUSETTS 01581 USA

VACUUM CART INTERFACE PLAN
LIGO VACUUM EQUIPMENT
WASHINGTON SITE
LEFT END STATION

CAD FILE: V0493406/3406S1
 SHEET: D
 DWG. NO.: V049-3-406
 REV.: 2

SCALE: 3/16" = 1' - 0"
 SHEET: 1 OF 2

LIGO-D960596-02-V



MAIN TURBO CART INTERFACE WIRING DIAGRAM

DETAIL 1 REF.
SCALE: NONE V049-3-406

SEE SHEET 1 FOR REVISIONS

PROCESS SYSTEMS INTERNATIONAL INC. 20 WALLUP DR. WESTBOROUGH, MASSACHUSETTS 01581 USA			
VACUUM CARTS INTERFACE PLAN LIGO VACUUM EQUIPMENT WASHINGTON SITE LEFT END STATION			
CAD FILE V0493406\3406S2	SIZE D	ENC. NO. V049-3-406	REV. 2
SCALE NONE	SHEET 2 OF 2		

8 7 6 5 4 3 2 1