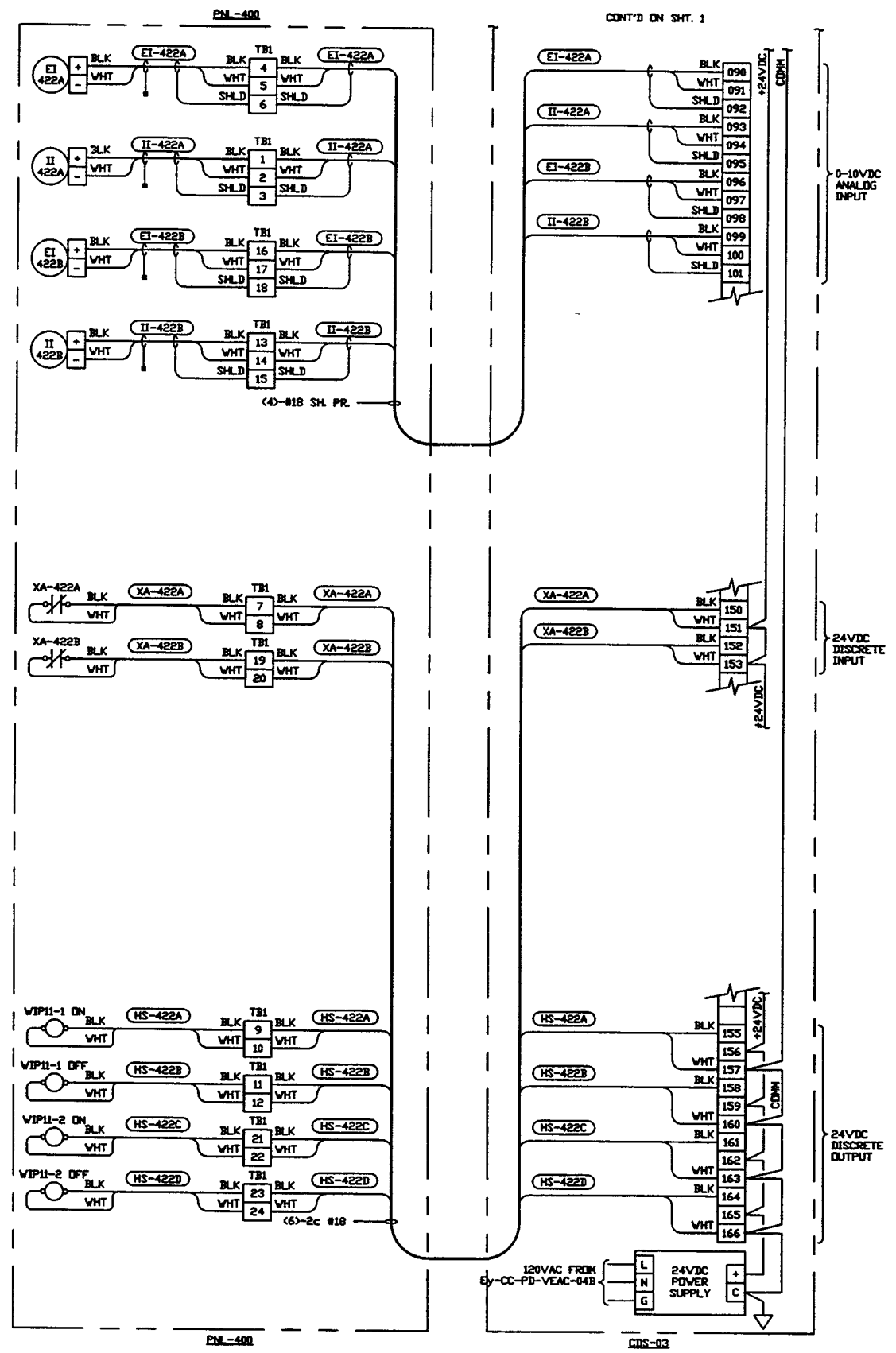


- NOTES:**
- 1) FOR PSI DWG. LIST & LEGEND SEE PSI DWG. #V049-3-001 SHT. 1.
  - 2) FOR LIST OF CIVIL CONTRACTOR REFERENCE DWGS. WITH CURRENT REVISIONS SEE PSI DWG. V049-3-001 SHT. 2.
  - 3) COLD CATHODE POWER SWITCHING IS BY OTHERS.
  - 4) LIMIT SWITCHES ON VALVES ARE SHOWN WHEN VALVE IS IN THE CLOSED POSITION.

<p><b>PROPRIETARY AND CONFIDENTIAL</b></p> <p>THIS DOCUMENT CONTAINS PROPRIETARY INFORMATION BELONGING TO PROCESS SYSTEMS INTERNATIONAL, INC. OR ITS AFFILIATED COMPANIES AND SHALL BE USED ONLY FOR THE PURPOSE FOR WHICH IT WAS SUPPLIED. IT SHALL NOT BE COPIED, REPRODUCED OR OTHERWISE USED, FOR SMALL, SUCH INFORMATION BE FURNISHED IN WHOLE OR IN PART TO OTHERS EXCEPT IN ACCORDANCE WITH THE TERMS OF ANY AGREEMENT UNDER WHICH IT WAS SUPPLIED OR WITH THE PRIOR WRITTEN CONSENT OF PROCESS SYSTEMS INTERNATIONAL, INC. AND SHALL BE RETURNED UPON REQUEST.</p>		<p>UNLESS OTHERWISE SPECIFIED DIMENSIONS ARE IN INCHES</p> <p>TOLERANCES:          FINISHED &amp; ANNEALED SURFACES: .005" .001" .001" .001" .001" .001"          TWO PLACE DECIMAL &amp; ALL THREE PLACE DECIMAL &amp; .005 FINISHED SURFACE DIM. BREAK CORNERS IN OUT. REMOVE ALL BURRS</p>		<p>2 ISSUE FOR CONSTRUCTION</p> <p>1 ISSUE FOR FDR UPDATE &amp; BID</p> <p>0 ISSUE FOR FDR</p>		<p>REV. NO. DESCRIPTION</p> <p>05.12.97 0480</p> <p>11.25.96 0355</p> <p>04.26.96 0129</p>		<p>PROCESS SYSTEMS INTERNATIONAL, INC.          20 WALKUP DR. WESTBOROUGH, MASSACHUSETTS 01581 USA</p> <p><b>CDS INTERFACE DIAGRAM          LIGO VACUUM EQUIPMENT          WASHINGTON SITE          LEFT END STATION</b></p>		<p>CAB FILE: V0493408/3408S1</p> <p>SIZE: D</p> <p>DWG. NO.: V049-3-408</p> <p>REV: 2</p>	
<p>THIS DOCUMENT CONTAINS PROPRIETARY INFORMATION BELONGING TO PROCESS SYSTEMS INTERNATIONAL, INC. OR ITS AFFILIATED COMPANIES AND SHALL BE USED ONLY FOR THE PURPOSE FOR WHICH IT WAS SUPPLIED. IT SHALL NOT BE COPIED, REPRODUCED OR OTHERWISE USED, FOR SMALL, SUCH INFORMATION BE FURNISHED IN WHOLE OR IN PART TO OTHERS EXCEPT IN ACCORDANCE WITH THE TERMS OF ANY AGREEMENT UNDER WHICH IT WAS SUPPLIED OR WITH THE PRIOR WRITTEN CONSENT OF PROCESS SYSTEMS INTERNATIONAL, INC. AND SHALL BE RETURNED UPON REQUEST.</p>		<p>UNLESS OTHERWISE SPECIFIED DIMENSIONS ARE IN INCHES</p> <p>TOLERANCES:          FINISHED &amp; ANNEALED SURFACES: .005" .001" .001" .001" .001" .001"          TWO PLACE DECIMAL &amp; ALL THREE PLACE DECIMAL &amp; .005 FINISHED SURFACE DIM. BREAK CORNERS IN OUT. REMOVE ALL BURRS</p>		<p>2 ISSUE FOR CONSTRUCTION</p> <p>1 ISSUE FOR FDR UPDATE &amp; BID</p> <p>0 ISSUE FOR FDR</p>		<p>REV. NO. DESCRIPTION</p> <p>05.12.97 0480</p> <p>11.25.96 0355</p> <p>04.26.96 0129</p>		<p>PROCESS SYSTEMS INTERNATIONAL, INC.          20 WALKUP DR. WESTBOROUGH, MASSACHUSETTS 01581 USA</p> <p><b>CDS INTERFACE DIAGRAM          LIGO VACUUM EQUIPMENT          WASHINGTON SITE          LEFT END STATION</b></p>		<p>CAB FILE: V0493408/3408S1</p> <p>SIZE: D</p> <p>DWG. NO.: V049-3-408</p> <p>REV: 2</p>	
<p>THIS DOCUMENT CONTAINS PROPRIETARY INFORMATION BELONGING TO PROCESS SYSTEMS INTERNATIONAL, INC. OR ITS AFFILIATED COMPANIES AND SHALL BE USED ONLY FOR THE PURPOSE FOR WHICH IT WAS SUPPLIED. IT SHALL NOT BE COPIED, REPRODUCED OR OTHERWISE USED, FOR SMALL, SUCH INFORMATION BE FURNISHED IN WHOLE OR IN PART TO OTHERS EXCEPT IN ACCORDANCE WITH THE TERMS OF ANY AGREEMENT UNDER WHICH IT WAS SUPPLIED OR WITH THE PRIOR WRITTEN CONSENT OF PROCESS SYSTEMS INTERNATIONAL, INC. AND SHALL BE RETURNED UPON REQUEST.</p>		<p>UNLESS OTHERWISE SPECIFIED DIMENSIONS ARE IN INCHES</p> <p>TOLERANCES:          FINISHED &amp; ANNEALED SURFACES: .005" .001" .001" .001" .001" .001"          TWO PLACE DECIMAL &amp; ALL THREE PLACE DECIMAL &amp; .005 FINISHED SURFACE DIM. BREAK CORNERS IN OUT. REMOVE ALL BURRS</p>		<p>2 ISSUE FOR CONSTRUCTION</p> <p>1 ISSUE FOR FDR UPDATE &amp; BID</p> <p>0 ISSUE FOR FDR</p>		<p>REV. NO. DESCRIPTION</p> <p>05.12.97 0480</p> <p>11.25.96 0355</p> <p>04.26.96 0129</p>		<p>PROCESS SYSTEMS INTERNATIONAL, INC.          20 WALKUP DR. WESTBOROUGH, MASSACHUSETTS 01581 USA</p> <p><b>CDS INTERFACE DIAGRAM          LIGO VACUUM EQUIPMENT          WASHINGTON SITE          LEFT END STATION</b></p>		<p>CAB FILE: V0493408/3408S1</p> <p>SIZE: D</p> <p>DWG. NO.: V049-3-408</p> <p>REV: 2</p>	



SEE SHEET 1 FOR REVISIONS

<b>PROCESS SYSTEMS INTERNATIONAL INC.</b> 20 WALKUP DR. WESTBOROUGH, MASSACHUSETTS 01581 USA			
<b>CDS INTERFACE DIAGRAM          LIGO VACUUM EQUIPMENT          WASHINGTON SITE          LEFT END STATION</b>			
CAD FILE V0493408V3408S2	SIZE D	DWG. NO. V049-3-408	REV. 2
SCALE NONE	SHEET 2 OF 2		