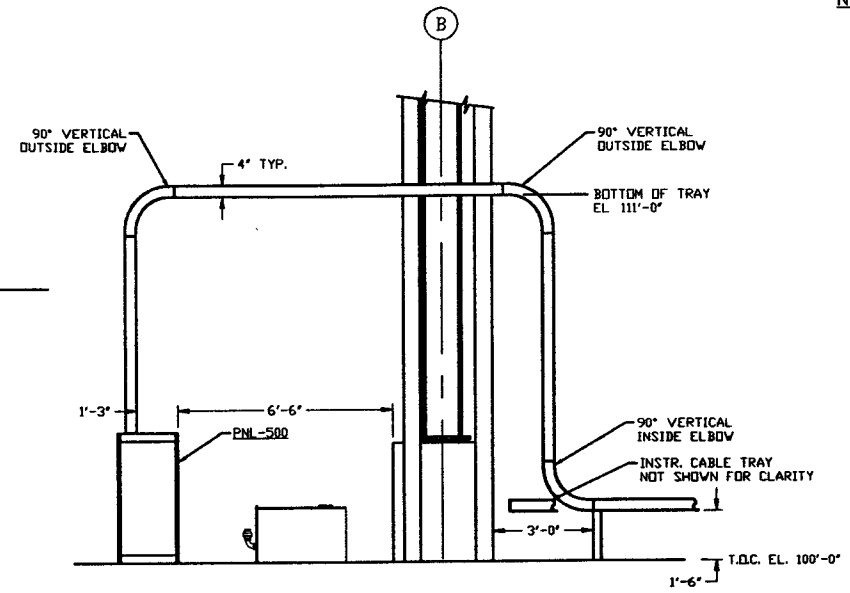
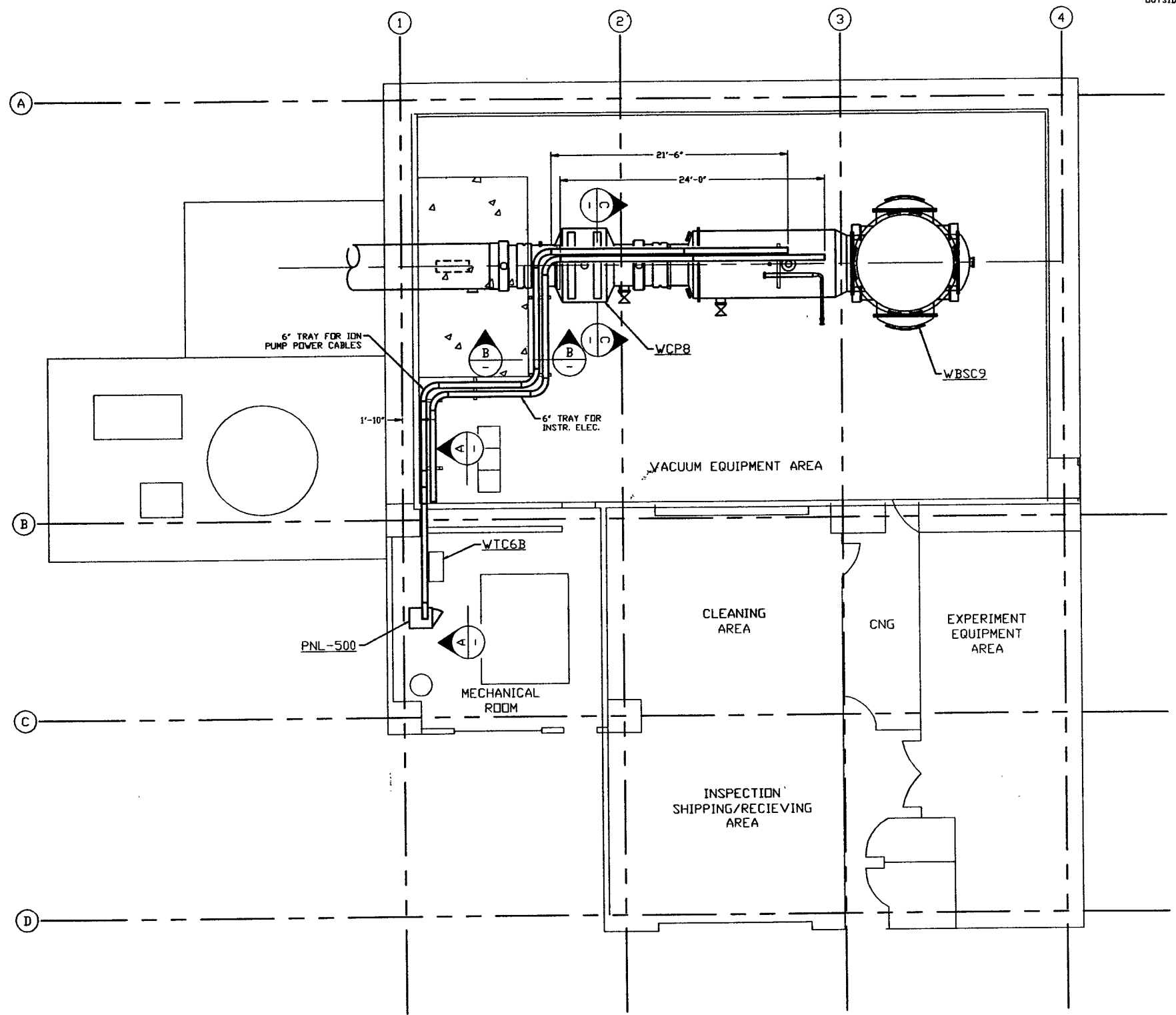
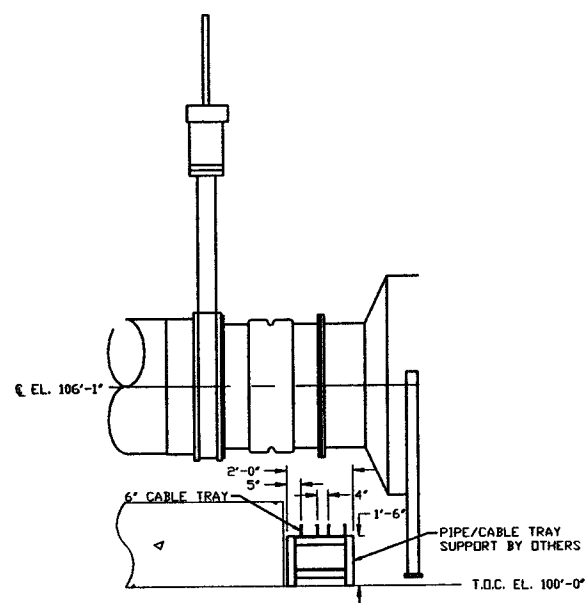


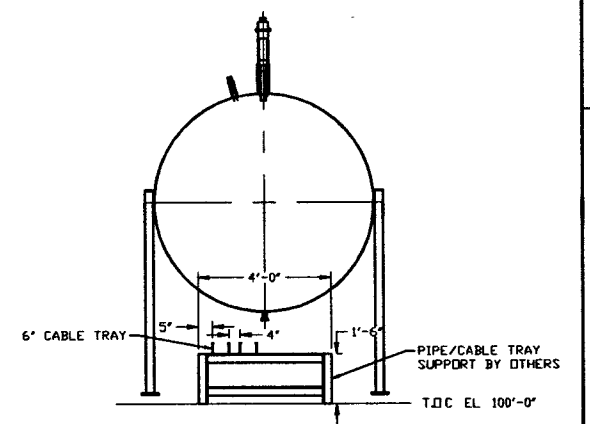
- NOTES:**
- 1) ALL CABLETRAY LENGTHS ARE 12'-0" UNLESS OTHERWISE SPECIFIED.
 - 2) ALL CABLE TRAY SHALL BE GROUNDED PER N.E.C.
 - 3) ALL CABLE TRAY SHALL BE FIELD SUPPORTED.
 - 4) CABLE TRAY FOR ION PUMP POWER CABLES SHALL BE LABELED "DANGER HIGH VOLTAGE".



VIEW A-A
SCALE: 3/8" = 1'-0"



VIEW B-B
SCALE: 3/8" = 1'-0"



VIEW C-C
SCALE: 3/8" = 1'-0"

NOT FOR CONSTRUCTION

LIGO-D960600-00-V

PROPRIETARY AND CONFIDENTIAL

THIS DOCUMENT CONTAINS PROPRIETARY INFORMATION BELONGING TO PROCESS SYSTEMS INTERNATIONAL, INC. OR ITS AFFILIATED COMPANIES AND SHALL BE LOANED ONLY FOR THE PURPOSE FOR WHICH IT WAS SUPPLIED. IT SHALL NOT BE COPIED, REPRODUCED OR OTHERWISE FURNISHED IN WHOLE OR IN PART TO OTHERS EXCEPT IN ACCORDANCE WITH THE TERMS OF ANY AGREEMENT UNDER WHICH IT WAS SUPPLIED OR WITH THE PRIOR WRITTEN CONSENT OF PROCESS SYSTEMS INTERNATIONAL, INC. AND SHALL BE RETURNED UPON REQUEST.

BVG. NO.	DESCRIPTION	BVG. NO.	DESCRIPTION
V049-3-002	WASHINGTON OVERALL SITE PLAN		
V049-3-001	GENERAL NOTES & LEGEND		
REFERENCE DRAWINGS			

UNLESS OTHERWISE SPECIFIED DIMENSIONS ARE IN INCHES

TOLERANCES:
FRACTIONAL AND DECIMAL ANGLES WHICH ARE 90° SHALL BE TO THE PLACE INDICATED AND FINISHED SURFACE AND BREAK CORNERS IN BUT REMOVE ALL DIMS

DO NOT SCALE THIS DRAWING

USED ON

NEXT ASSY:

REV	DESCRIPTION	CHKD	DRWN	DATE	DESN
0	ISSUE FOR FDR			04.26.96	0129

PROCESS SYSTEMS INTERNATIONAL, INC.
20 WALKUP DR. WESTBOROUGH, MASSACHUSETTS 01581 USA

CABLE TRAY PLAN
LIGO VACUUM EQUIPMENT
WASHINGTON SITE
RIGHT END STATION

CAD FILE: V0493502
SIZE: D
BVG. NO.: V049-3-502
REV.: 0

SCALE: 3/16" = 1' - 0"
SHEET: 1 OF 1