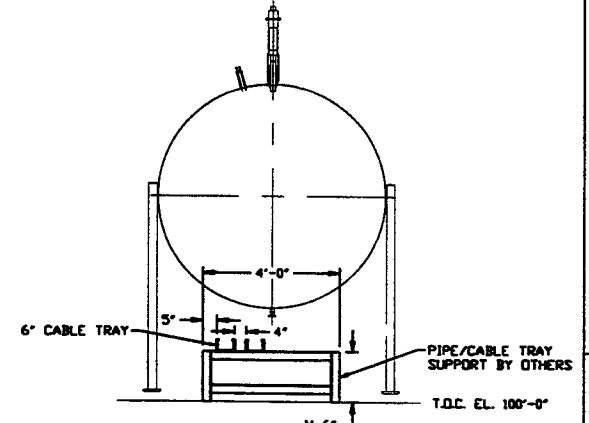
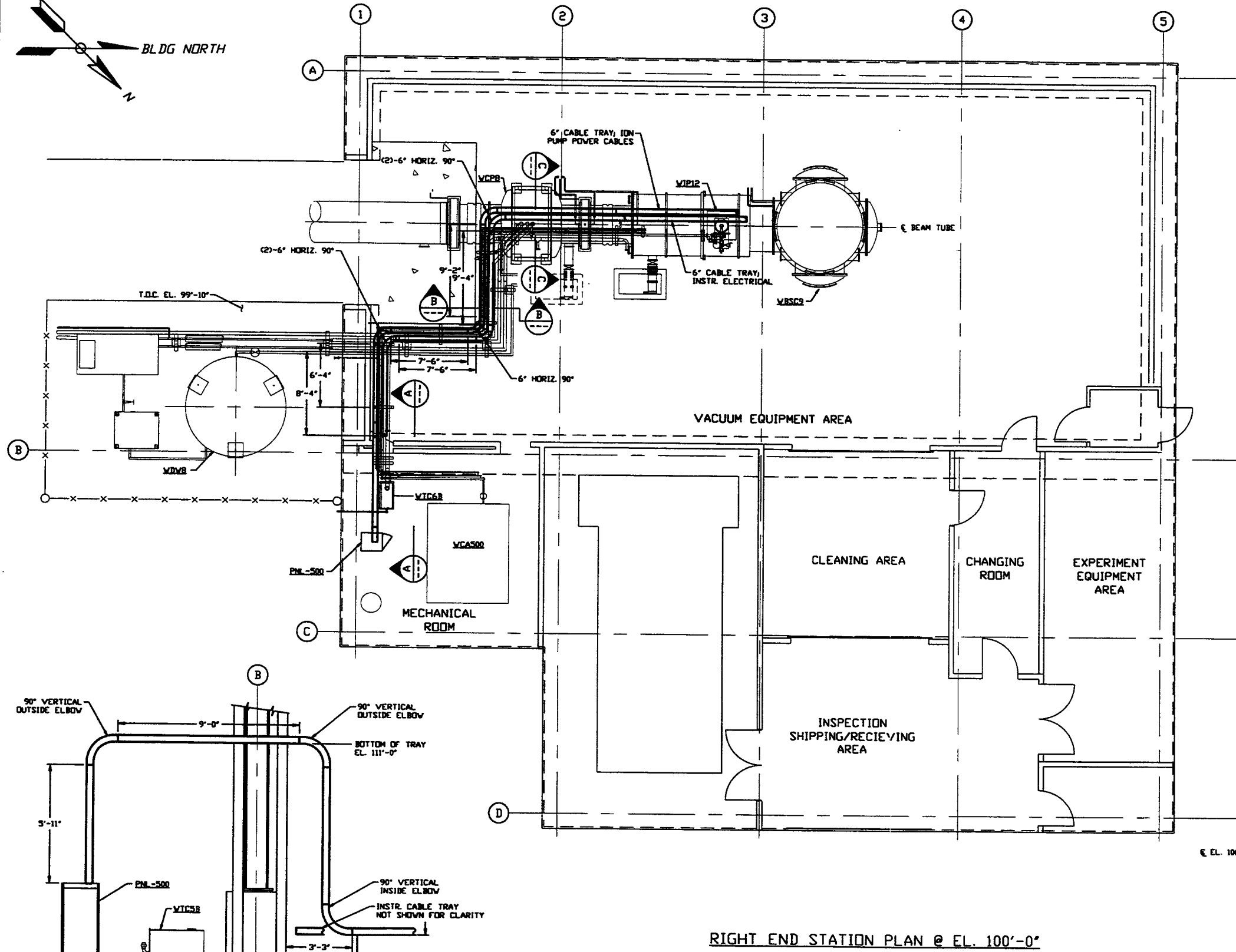
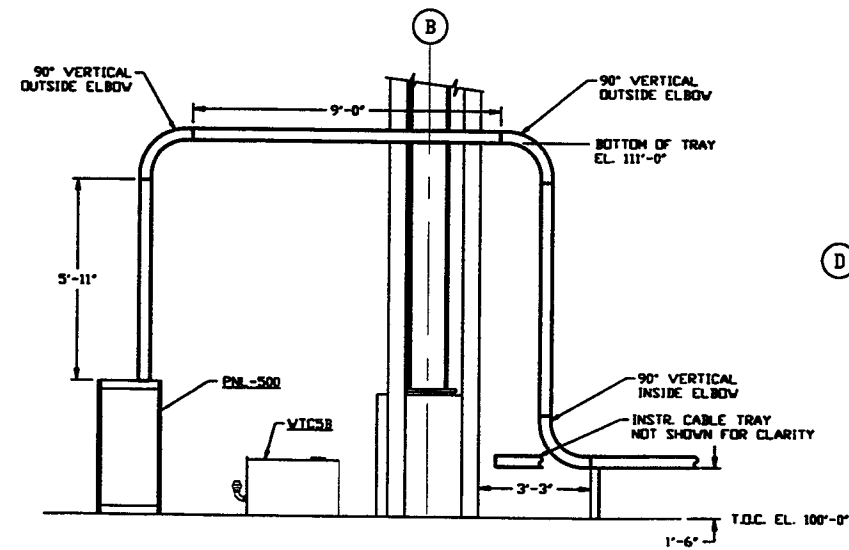


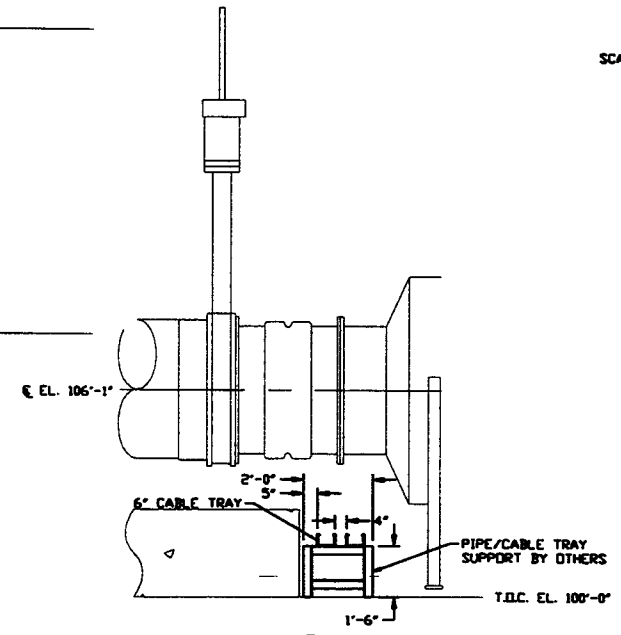
- NOTES:**
- 1) FOR GENERAL NOTES & LEGEND SEE PSI DWG. #V049-3-001 SHT. 1.
 - 2) FOR LIST OF CIVIL CONTRACTOR REFERENCE DWGS. WITH CURRENT REVISIONS SEE PSI DWG. #V049-3-001 SHT. 2.
 - 3) ALL CABLE TRAY LENGTHS ARE 12'-0" UNLESS OTHERWISE SPECIFIED.
 - 4) ALL CABLE TRAY SHALL BE GROUNDED PER N.E.C.
 - 5) ALL CABLE TRAY SHALL BE FIELD SUPPORTED.
 - 6) CABLE TRAY FOR ION PUMP POWER CABLES SHALL BE LABELED "DANGER HIGH VOLTAGE".
 - 7) CABLE TRAY SHALL BE LADDER TYPE AND SHALL MEET LOAD/SPAN CLASS DESIGNATION 16A. CABLE TRAY SHALL BE OF ALUMINUM CONSTRUCTION. CABLE TRAY SHALL HAVE SIDE CHANNEL FLANGES IN.
 - 8) DIMENSIONS TO CABLE TRAY ARE MEASURED TO THE OUTSIDE EDGE OF FLANGE.



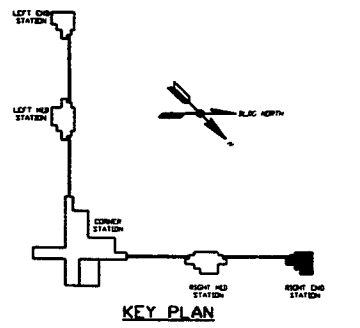
SECTION C REF. THIS SHT.
SCALE: 3/8" = 1'-0"



SECTION A REF. THIS SHT.
SCALE: 3/8" = 1'-0"



SECTION B REF. THIS SHT.
SCALE: 3/8" = 1'-0"



KEY PLAN

RIGHT END STATION PLAN @ EL. 100'-0"

PROPRIETARY AND CONFIDENTIAL
THIS DOCUMENT CONTAINS PROPRIETARY INFORMATION BELONGING TO PROCESS SYSTEMS INTERNATIONAL, INC. OR ITS AFFILIATED COMPANIES AND SHALL BE USED ONLY FOR THE PURPOSES FOR WHICH IT WAS SUPPLIED. IT SHALL NOT BE COPIED, REPRODUCED OR OTHERWISE USED, FOR SHALL SUCH INFORMATION BE FURNISHED IN WHOLE OR IN PART TO OTHERS EXCEPT IN ACCORDANCE WITH THE TERMS OF ANY AGREEMENT UNDER WHICH IT WAS SUPPLIED OR WITH THE PRIOR WRITTEN CONSENT OF PROCESS SYSTEMS INTERNATIONAL, INC. AND SHALL BE RETURNED UPON REQUEST.

| DWG. NO. | DESCRIPTION | DWG. NO. | DESCRIPTION |
|--------------------|------------------------------|----------|-------------|
| V049-3-002 | WASHINGTON OVERALL SITE PLAN | | |
| V049-3-001 | GENERAL NOTES & LEGEND | | |
| REFERENCE DRAWINGS | | | |

UNLESS OTHERWISE SPECIFIED DIMENSIONS ARE IN INCHES
TOLERANCES:
FRACTIONS: ± ANGULAR/ARCH 1/4" ± TWO PLACE DECIMAL ± .01 THREE PLACE DECIMAL ± .005 FINISHED SURFACE AND BREAK CORNERS IN OUT REMOVE ALL BURRS.
DO NOT SCALE THIS DRAWING
USED ON: _____
NEXT ASS'Y: _____

| REV | DESCRIPTION | CHKD | DRWN | DATE | DESN |
|-----|----------------------------|------|------|----------|------|
| 2 | ISSUE FOR CONSTRUCTION | | | 05.12.97 | 0480 |
| 1 | ISSUE FOR FOR UPDATE & BID | | | 11.25.96 | 0355 |
| 0 | ISSUE FOR FOR | | | 04.26.96 | 0129 |

PROCESS SYSTEMS INTERNATIONAL, INC.
20 WALDEN DR. WESTBOROUGH, MASSACHUSETTS 01581 USA

CABLE TRAY PLAN
LIGO VACUUM EQUIPMENT
WASHINGTON SITE
RIGHT END STATION

| | | | |
|--------------------|---------|----------------------|---------|
| CAD FILE: V0493502 | SIZE: D | DWG. NO.: V049-3-502 | REV.: 2 |
|--------------------|---------|----------------------|---------|

SCALE: 3/16" = 1'-0" SHEET: 1 OF 1