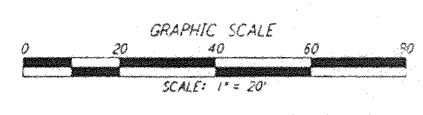
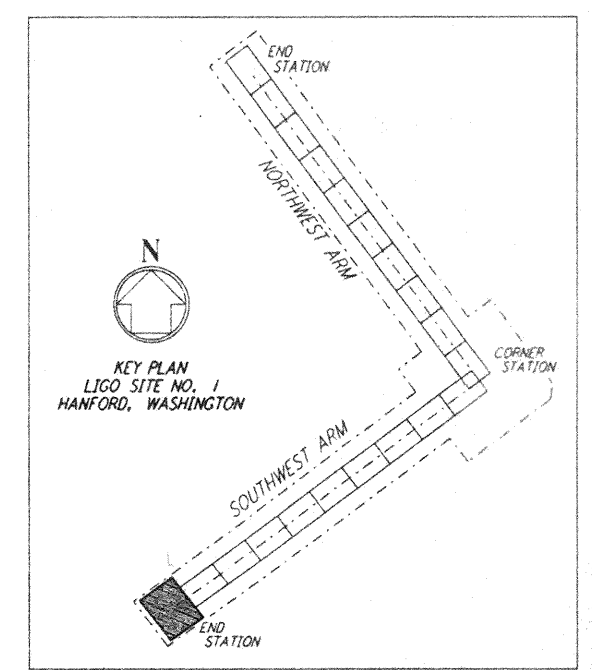
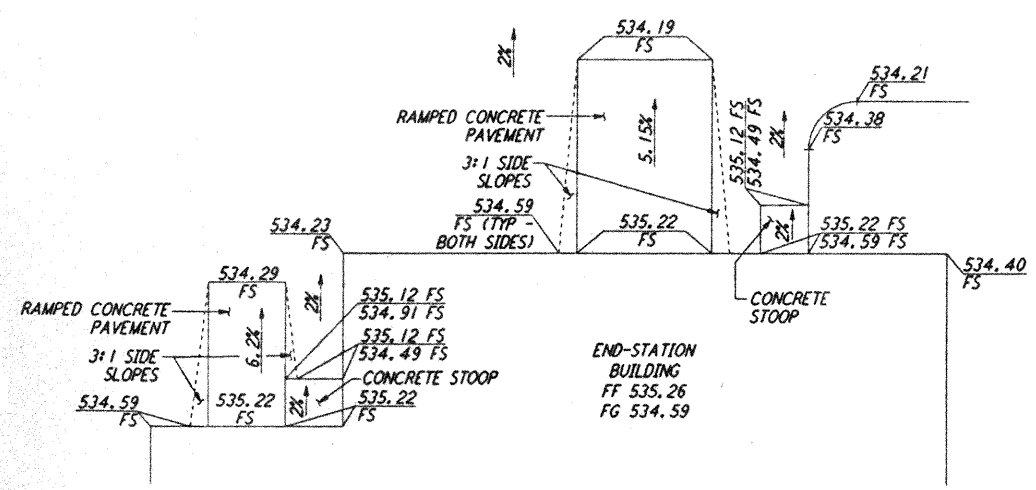
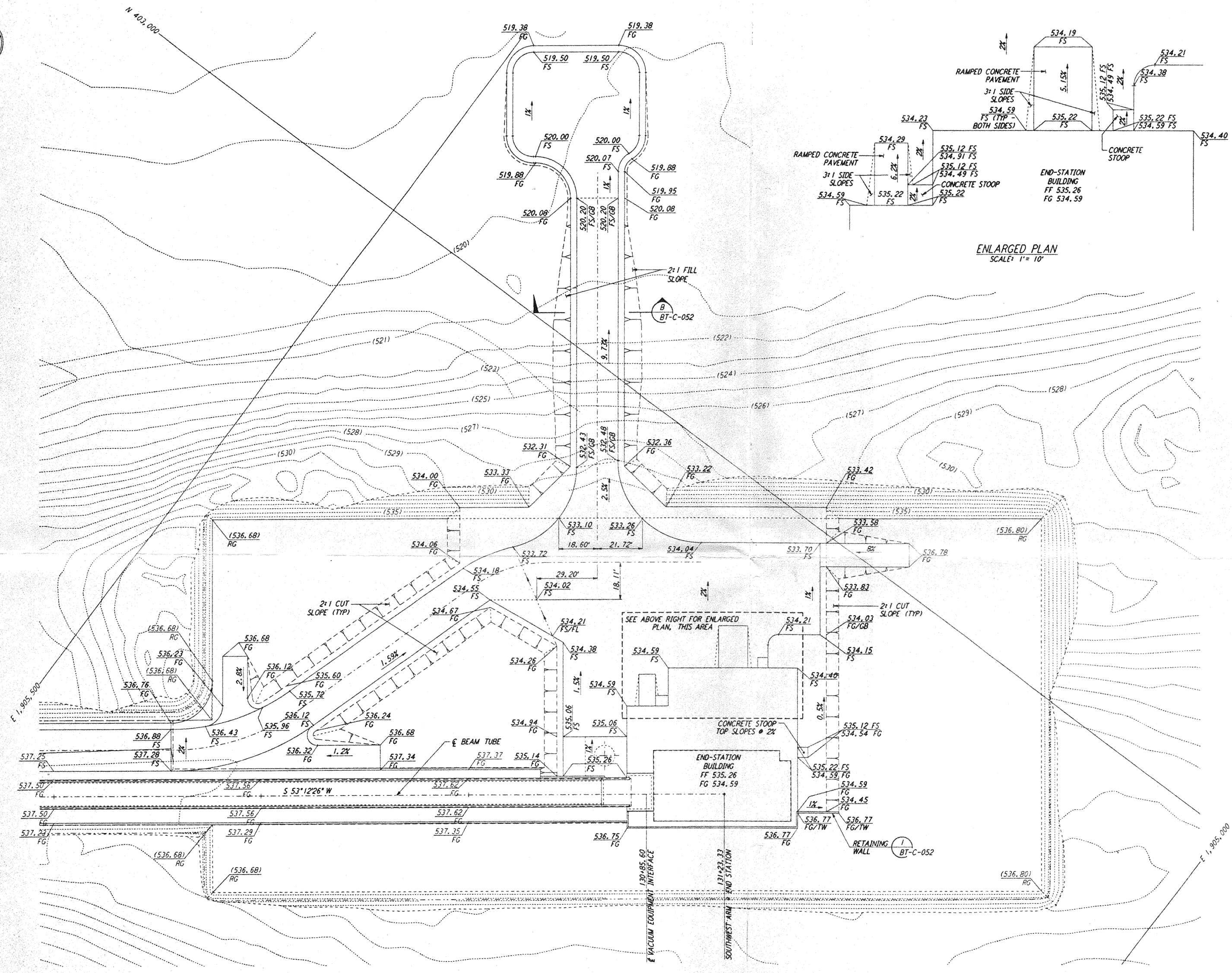
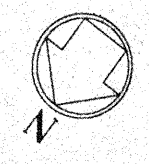


of PARSONS. They are loaned only with the borrower's expressed written agreement that they will

any other way, except by written consent from PARSONS to the borrower.

NOTES:
1. SEE SHEET BT-C-002 FOR GENERAL NOTES, LEGEND AND ABBREVIATIONS.



NO.	DATE	BY	CHKD	ENGR	PROJ	DESCRIPTION
A	4-19-96	WRB				CHANGE ORDER NO. 4

DRAWN	WRB
CHECKED	
ENGINEER	
PROJ	

PARSONS
100 WEST WALNUT STREET
PASADENA, CALIFORNIA

LIGO
CALIFORNIA INSTITUTE OF TECHNOLOGY
MASSACHUSETTS INSTITUTE OF TECHNOLOGY

LASER INTERFEROMETER
GRAVITATIONAL-WAVE OBSERVATORY
BTE SITEWORK & FABRICATION - HANFORD, WA

CIVIL
SOUTHWEST ARM
END-STATION
GRADING PLAN

SCALE: 1" = 20'
CONTRACT NUMBER: PP150969
PROJECT NUMBER: 8094
SHEET NUMBER: BT-C-046
LIGO-0960731-A

5

4

3

2

1

E
D
C
B
A

LIGOBTE3.BOP