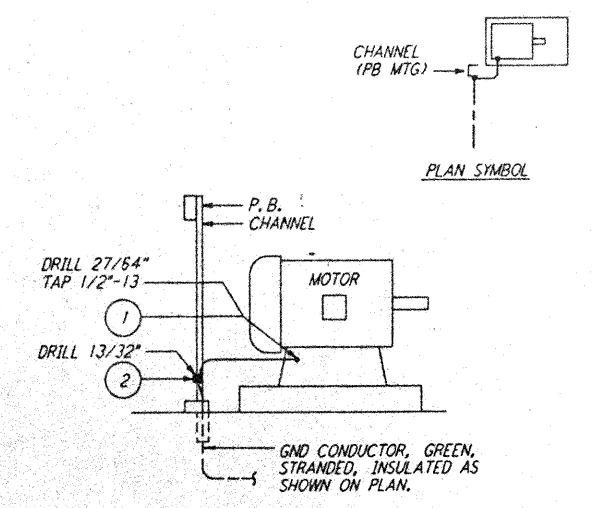


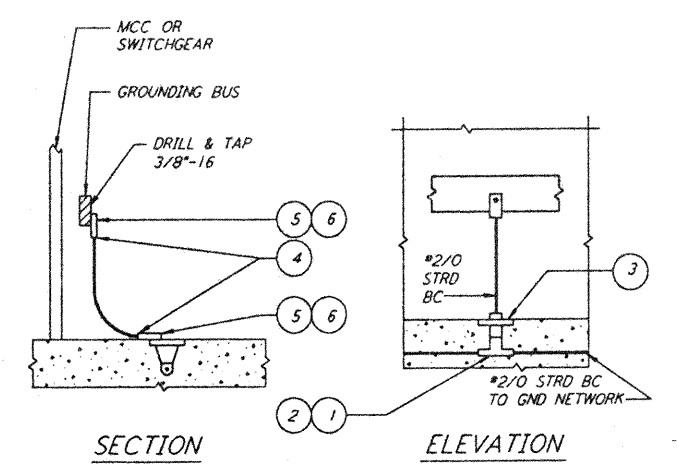
THIS DOCUMENT AND THE DESIGN IT REPRESENTS ARE THE PROPERTY OF PARSONS. They are loaned only with the consent of PARSONS. Any other use, except by written consent from PARSONS to the borrower, is prohibited.



LIST OF MATERIAL

ITEM NO.	QTY	DESCRIPTION
1	1	SERVIT POST, #2-#2/0 WIRES, BURNDY K2C26
2	1	CONNECTOR, TWO #4-#2/0 WIRE FLAT BAR, BURNDY TYPE GCM26 (LONGER BOLT AS REQ'D)

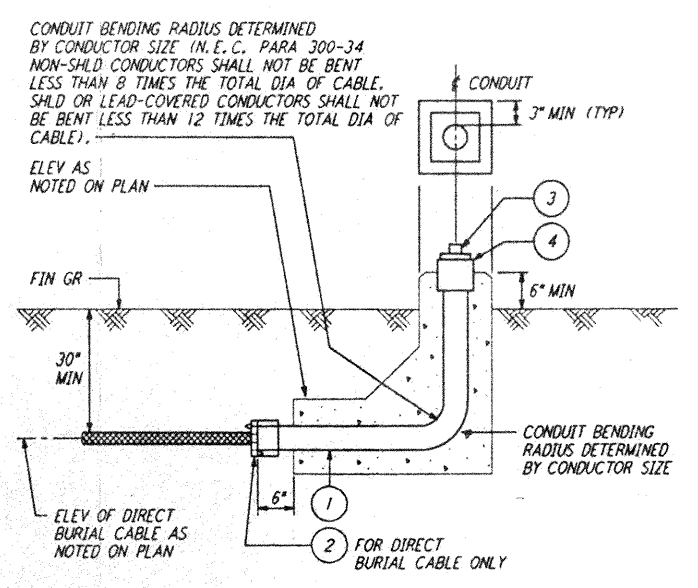
**MOTOR GROUNDING** (1) REF  
N. T. S.



LIST OF MATERIAL

ITEM NO.	QTY	DESCRIPTION
1	AR	MOLD HORIZONTAL TEE, #4/0-#4/0 WIRE
2	1	CARTRIDGE, STANDARD POWDER 150 GRAMS
3	1	FLUSH PLATE, #4/0 WIRE SIZE, 3/8" TAPPED
4	2	LUG, #1/0-#2/0 WIRE x 3/8" BOLT
5	2	SILICONE-BRONZE BOLT, 3/8"-16 x 3/4" LONG
6	2	SILICONE-BRONZE LOCKWASHER SPRING 3/8"

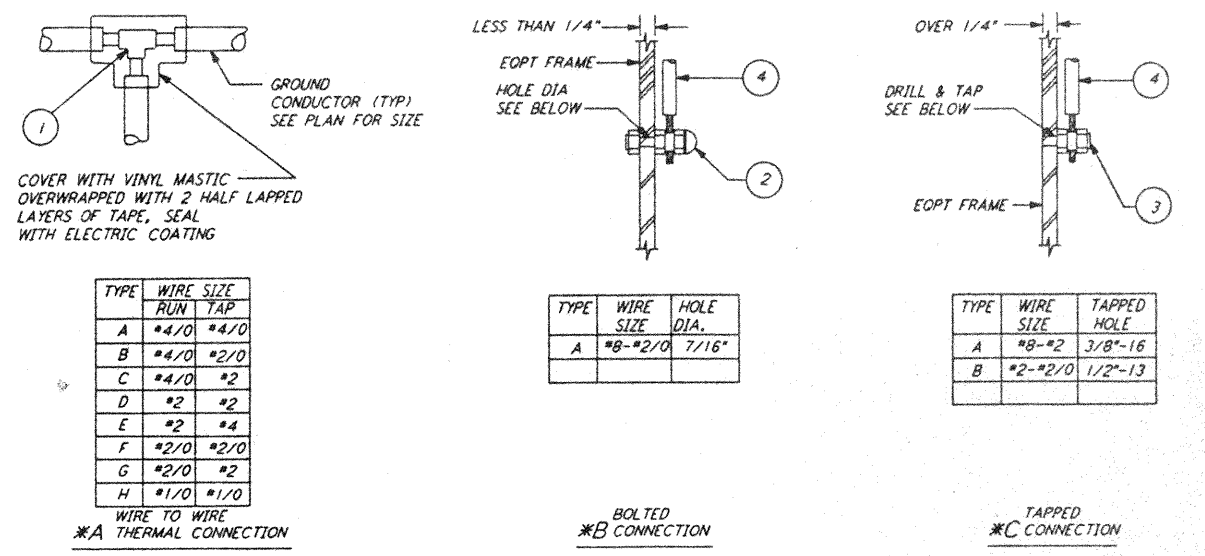
**SWITCHGEAR OR CONTROL PANEL GROUNDING** (2) REF  
N. T. S.



LIST OF MATERIAL

ITEM NO.	QTY	DESCRIPTION
1	AR	CONDUIT, RIGID GALVANIZED STEEL, SIZE PER PLAN
2	1	CONDUIT BUSHING, NON-INSULATED GALV, PER CONDUIT SIZE
3	1	PLUG, SO HD RIGID ALUM, PER CONDUIT SIZE
4	1	CONDUIT COUPLING, RIGID GALVANIZED STEEL, PER CONDUIT SIZE

**CONDUIT STUB-UP** (3) REF  
N. T. S.



TYPE	WIRE SIZE	HOLE DIA.
A	#4/0	#4/0
B	#4/0	#2/0
C	#4/0	#2
D	#2	#2
E	#2	#4
F	#2/0	#2/0
G	#2/0	#2
H	#1/0	#1/0

WIRE TO WIRE  
\*A THERMAL CONNECTION

TYPE	WIRE SIZE	HOLE DIA.
A	#8-#2	7/16"

BOLTED  
\*B CONNECTION

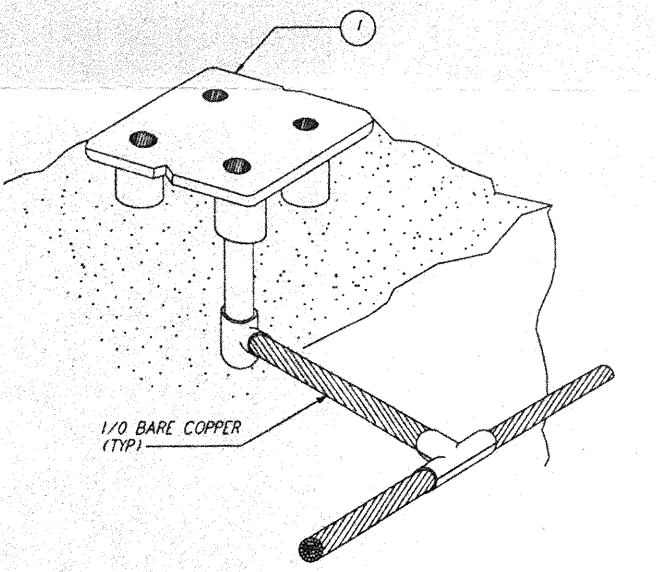
TYPE	WIRE SIZE	TAPPED HOLE
A	#8-#2	3/8"-16
B	#2-#2/0	1/2"-13

TAPPED  
\*C CONNECTION

LIST OF MATERIAL

ITEM NO.	QTY	DESCRIPTION
1	1	THERMAL WELD, GROUND, SIZE AS REQUIRED
2	1	GROUND CONNECTOR, CABLE TO BAR, SIZE AS REQUIRED
3	1	GROUND POST, SIZE AS REQUIRED
4	AR	TYPE "TW" INSULATED GREEN GROUND WIRE (UNLESS OTHERWISE NOTED)

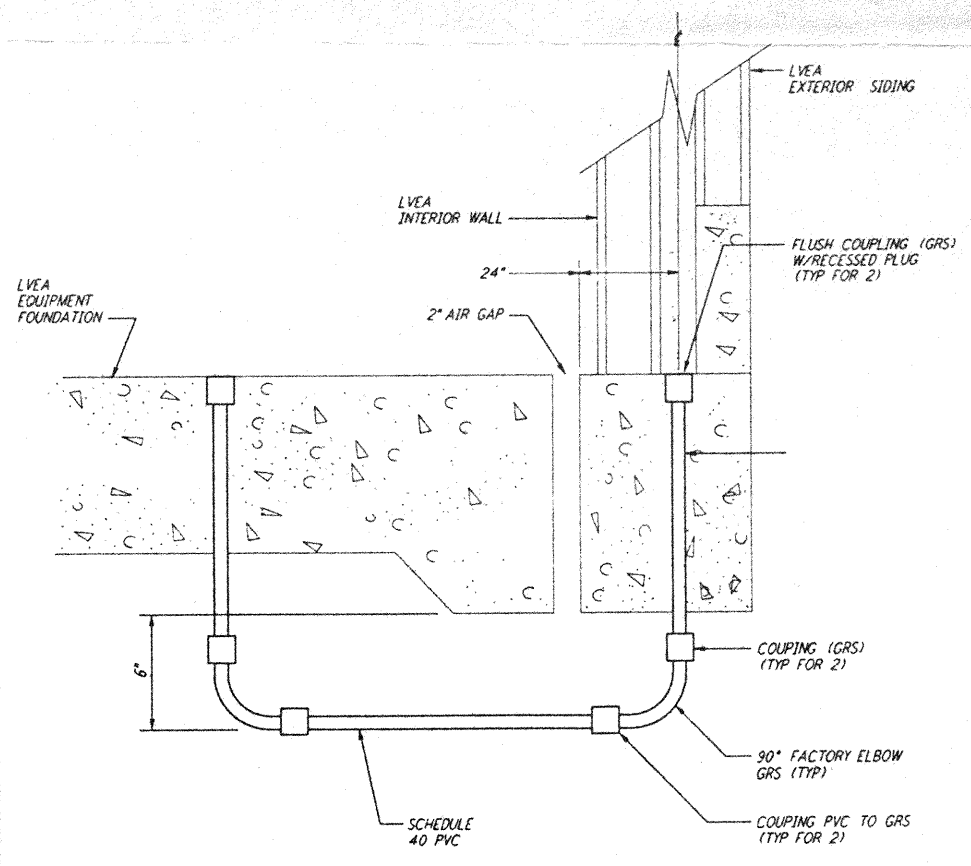
**GROUNDING CONNECTIONS** (4) REF  
N. T. S.



LIST OF MATERIAL

ITEM NO.	QTY	DESCRIPTION
1	1	GROUND PLATE, FLUSH, CADWELD #B16420

**FLUSH FLOOR GROUND PLATE** (5) REF  
N. T. S.



**LVEA CONDUIT FLOOR RISER** (6) REF  
N. T. S.

NO.	DATE	BY	CHKD	ENGR	PROJ	DESCRIPTION
A	4-15-96	MM	MM	MM	MM	CHANGE ORDER #4

DRAWN	M. M.
CHECKED	
ENGINEER	
PROJ	

**PARSONS**  
100 WEST WALNUT STREET  
PASADENA, CALIFORNIA

**LIGO**  
CALIFORNIA INSTITUTE OF TECHNOLOGY  
MASSACHUSETTS INSTITUTE OF TECHNOLOGY

LASER INTERFEROMETER  
GRAVITATIONAL-WAVE OBSERVATORY  
BTE SITWORK & FABRICATION - HANFORD, WA

TITLE	SCALE	CONTRACT NUMBER	PROJECT NUMBER
ELECTRICAL GROUNDING DETAILS SHEET 1	NONE	PP150969	8094
SHEET NUMBER	BT-E-603	REVISIONS	
	LIGO-0960745-77		