

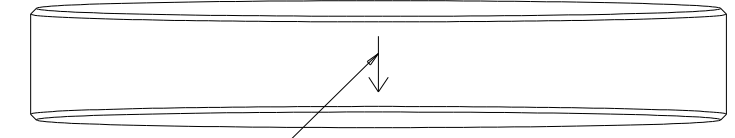
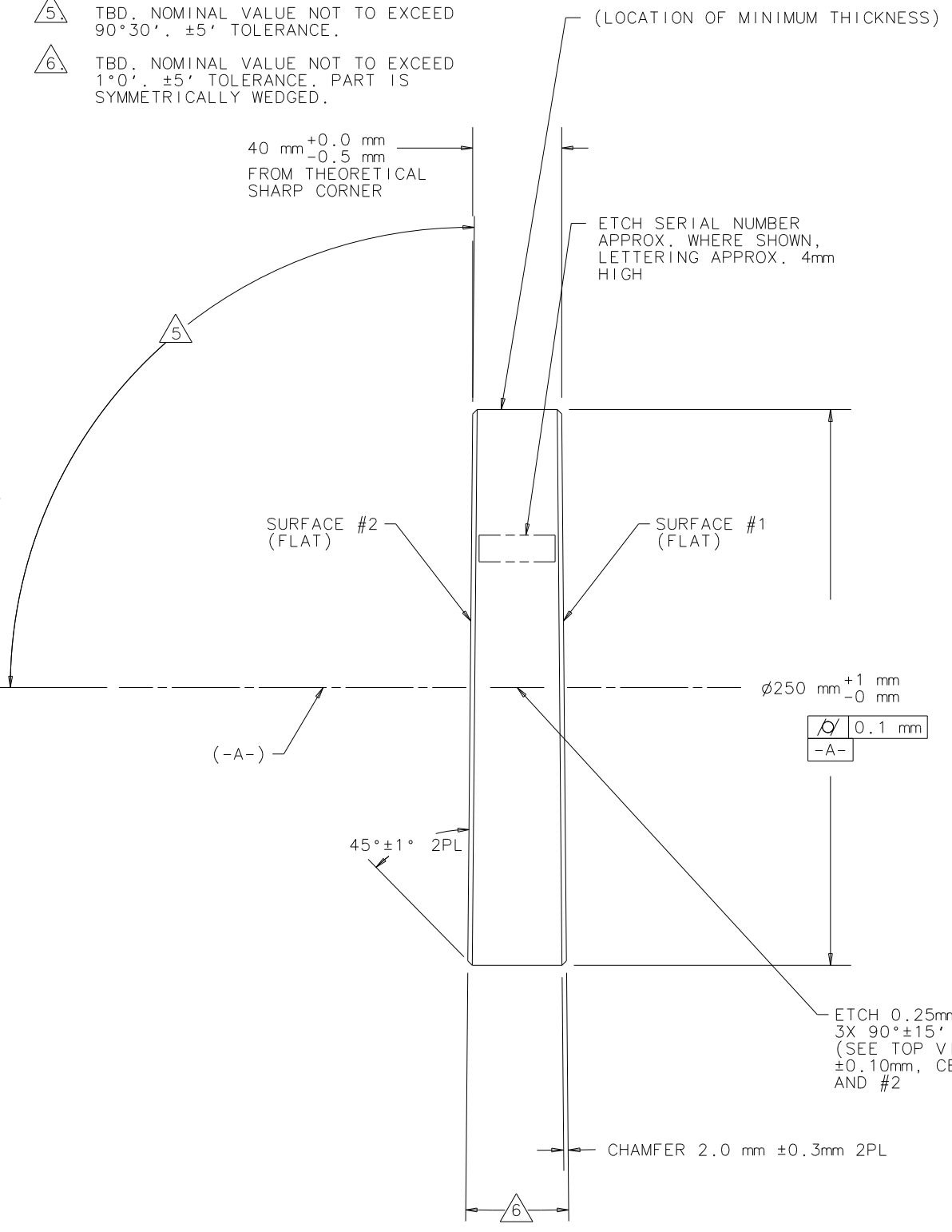
REV	DATE	DRAWN BY	CHECKED	DCC	DCN/DESCRIPTION
A	9-8-96	C CONLEY			E960113/INITIAL RELEASE

NOTES: (UNLESS OTHERWISE SPECIFIED)

- ALL DIMENSIONS ARE IN MILLIMETERS AND DEGREES-MINUTES.
- DRAWING TO BE INTERPRETED PER ANSI Y14.5M-1982.
- POLISH ALL FACES, EDGES AND CHAMFERS PER SPECIFICATION LIGO-E960100-D.
- REGISTRATION MARK IS LOCATED COINCIDENT WITH THE REGISTRATION MARK DRAWN ON THE BLANK ±1mm.
- TBD. NOMINAL VALUE NOT TO EXCEED 90°30'. ±5' TOLERANCE.
- TBD. NOMINAL VALUE NOT TO EXCEED 1°0'. ±5' TOLERANCE. PART IS SYMMETRICALLY WEDGED.

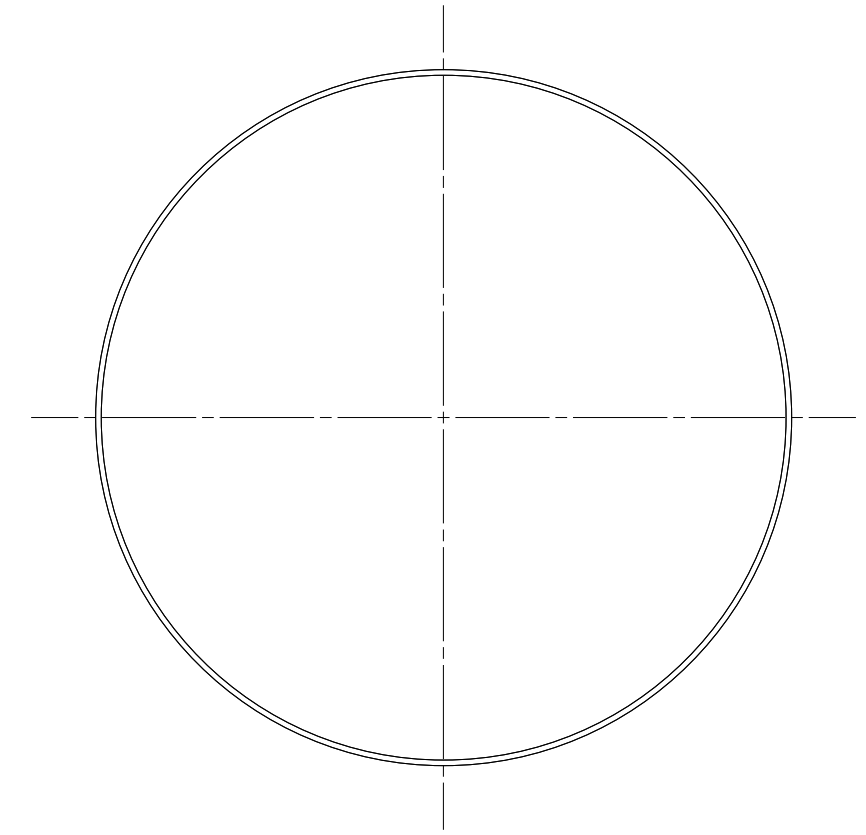
D  
C  
B  
A

D  
C  
B  
A



ETCH 0.25mm ± 0.05mm WIDE X 20mm ± 5mm LONG LINE WITH ARROW POINTING TOWARD SURFACE #1, PARALLEL TO -A- WITHIN ± 0.10mm, CENTERED BETWEEN SURFACES #1 AND #2, AND AT LOCATION OF MINIMUM PART THICKNESS ± 0° 15'.

4



DRWN	C CONLEY	DATE	9-8-96	CALIFORNIA INSTITUTE OF TECHNOLOGY MASSACHUSETTS INSTITUTE OF TECHNOLOGY		LIGO PROJECT	
CHKD				CAD FILE: D960789-A_substrate_BS.osc			
ENGR				MATERIAL: FUSED SILICA PER LIGO-E960094-D			
APPD							
DO NOT SCALE DRAWING				SCALE: NTS	SIZE	DRAWING NUMBER	SHEET
				B	D960789-A-D	1	OF 1

6 5 4 3 2 1