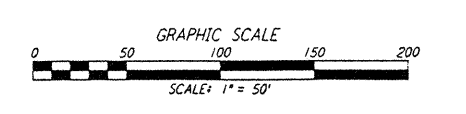
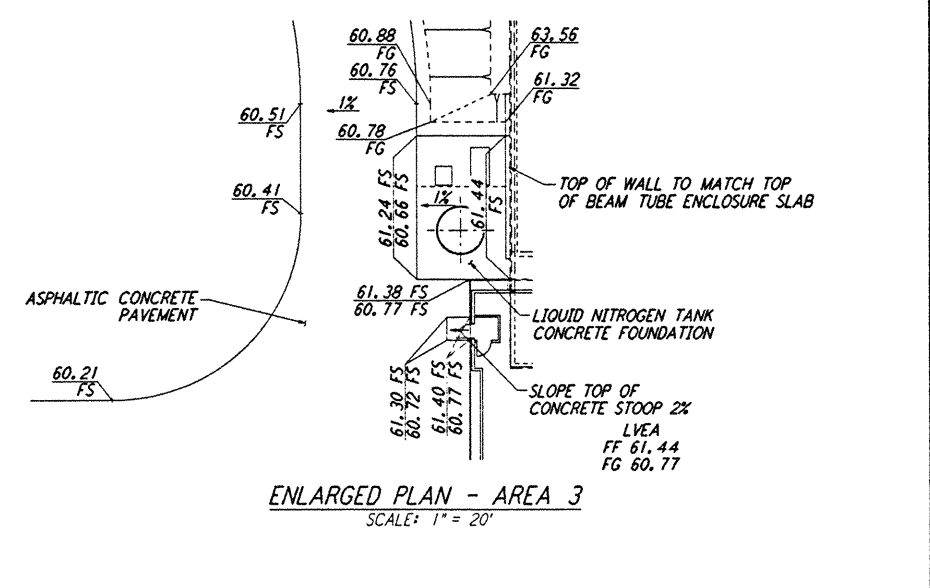
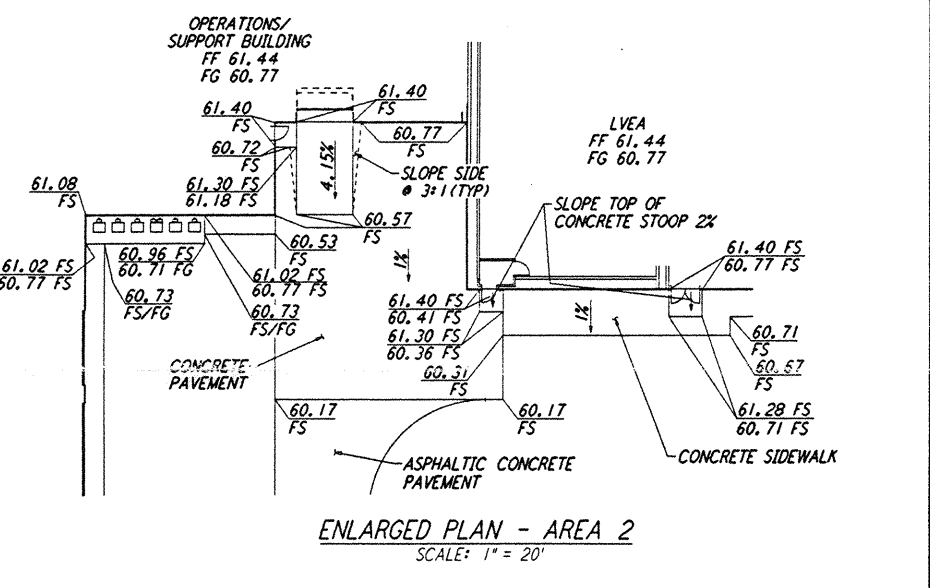
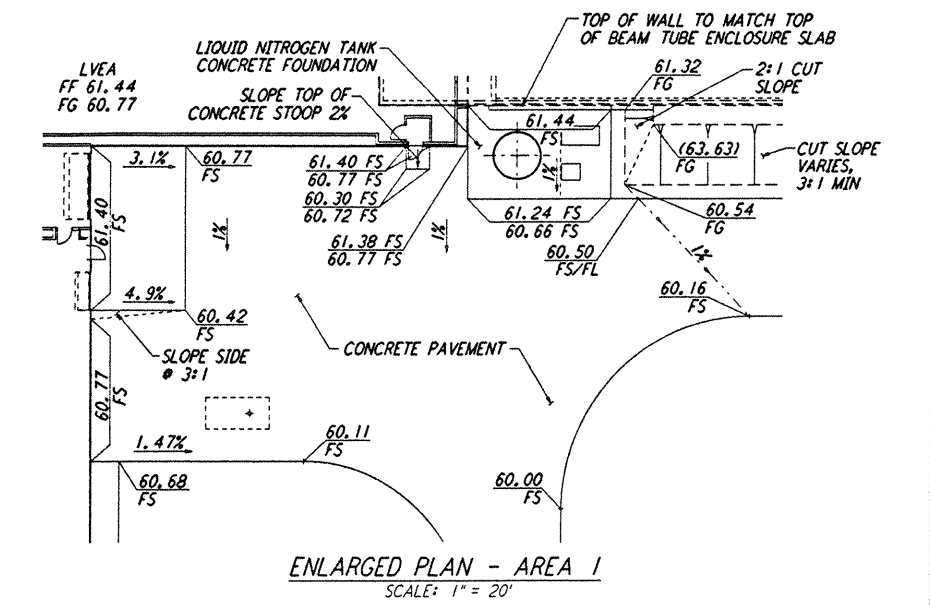
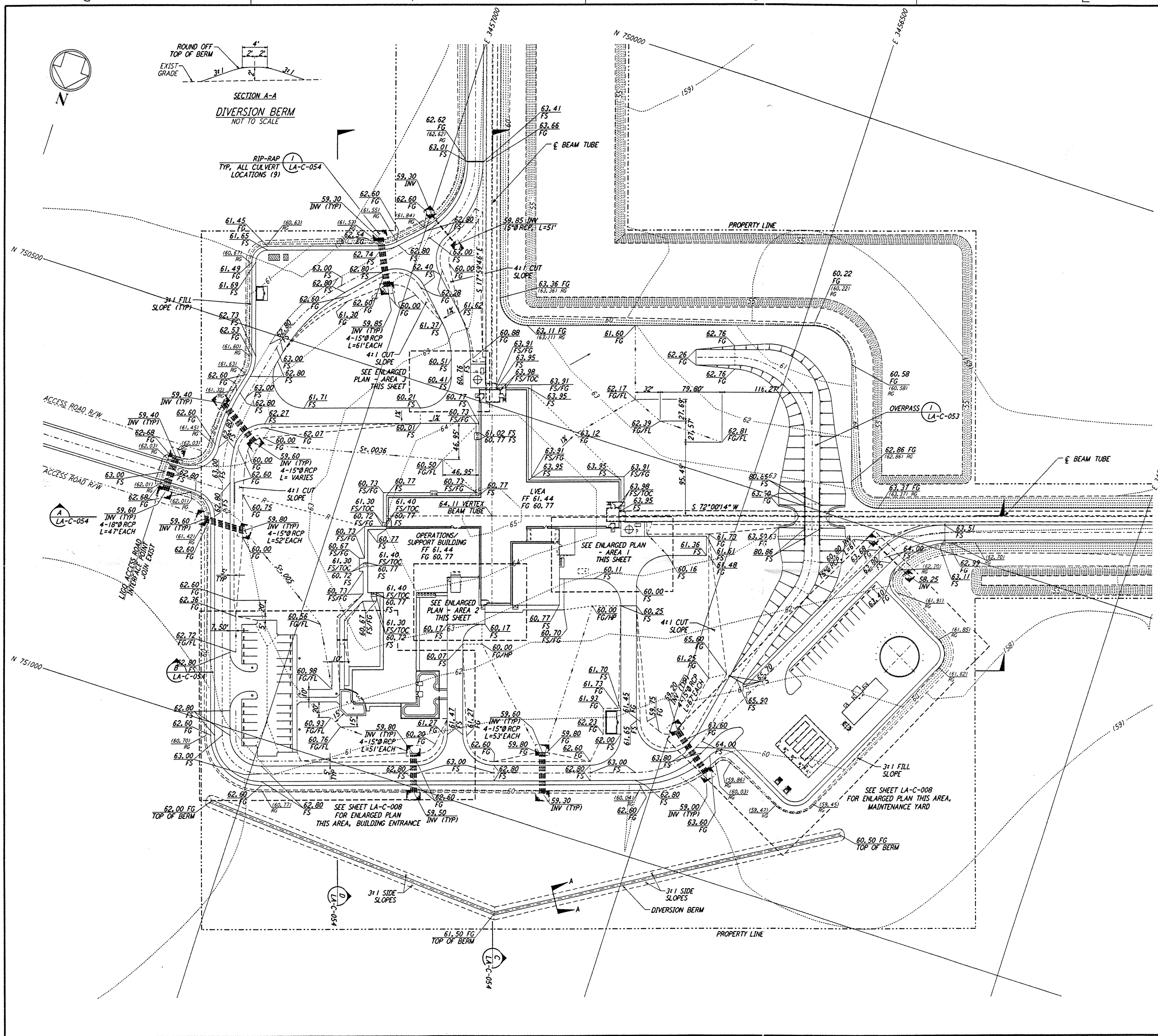


NOTES:
 1. SEE SHEET LA-C-002 FOR GENERAL NOTES, LEGEND AND ABBREVIATIONS.

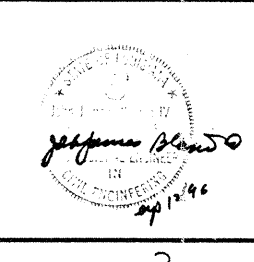


This document and the design it covers are the property of PARSONS. They are loaned only with the borrower's expressed written agreement that they will not be reproduced, copied, loaned, exhibited, or used in any other way, except by written consent from PARSONS to the borrower.

This document and the design it covers are the property of PARSONS. They are loaned only with the borrower's expressed written agreement that they will not be reproduced, copied, loaned, exhibited, or used in any other way, except by written consent from PARSONS to the borrower.

DRAWING NO.	DESCRIPTION	NO.	DATE	BY	CHKD	ENGR	PROJ	DESCRIPTION

ISSUED FOR CONSTRUCTION	
DRAWN	WRB 11-15-96
CHECKED	NAL 11-15-96
ENGINEER	11/15/96
PROJ	11/15/96



PARSONS
 100 WEST WALNUT STREET
 PASADENA, CALIFORNIA

LIGO
 CALIFORNIA INSTITUTE OF TECHNOLOGY
 MASSACHUSETTS INSTITUTE OF TECHNOLOGY

LASER INTERFEROMETER
 GRAVITATIONAL-WAVE OBSERVATORY
 SITE NO. 2 - LIVINGSTON, LOUISIANA

TITLE	CIVIL CORNER STATION GRADING PLAN	SCALE	1" = 50'	CONTRACT NUMBER	PP150969	PROJECT NUMBER	8094
SHEET NUMBER	LA-C-007	REVISIONS					

LIGO-0960825-00-01 LIGOLAF3.BOR