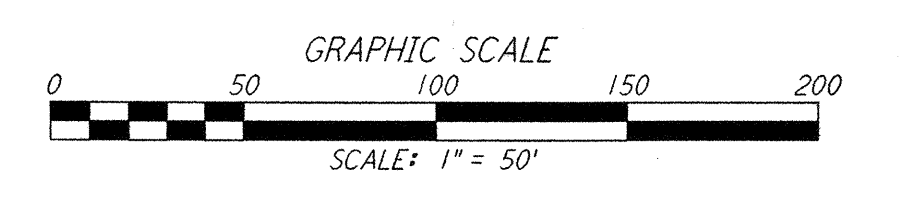
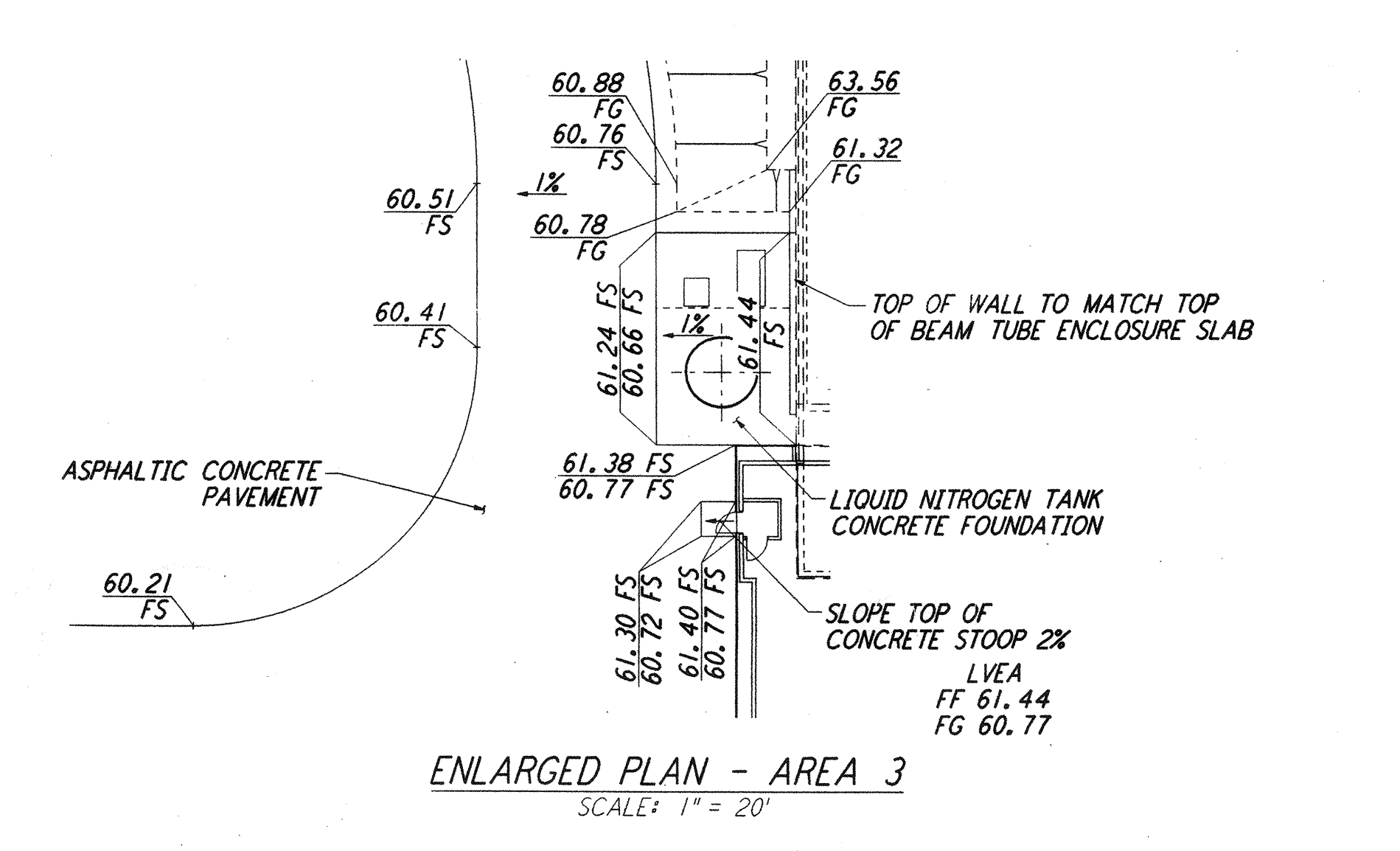
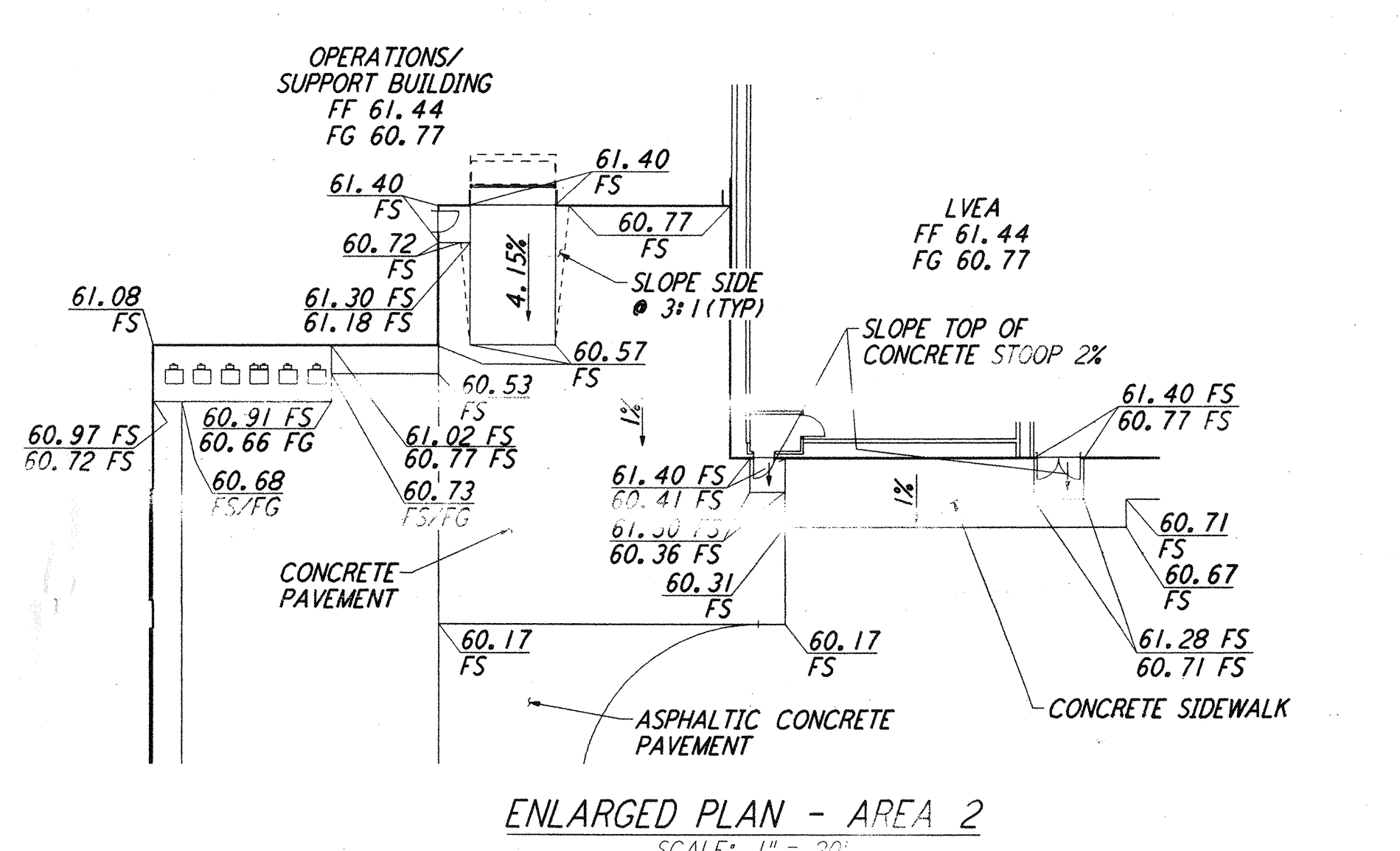
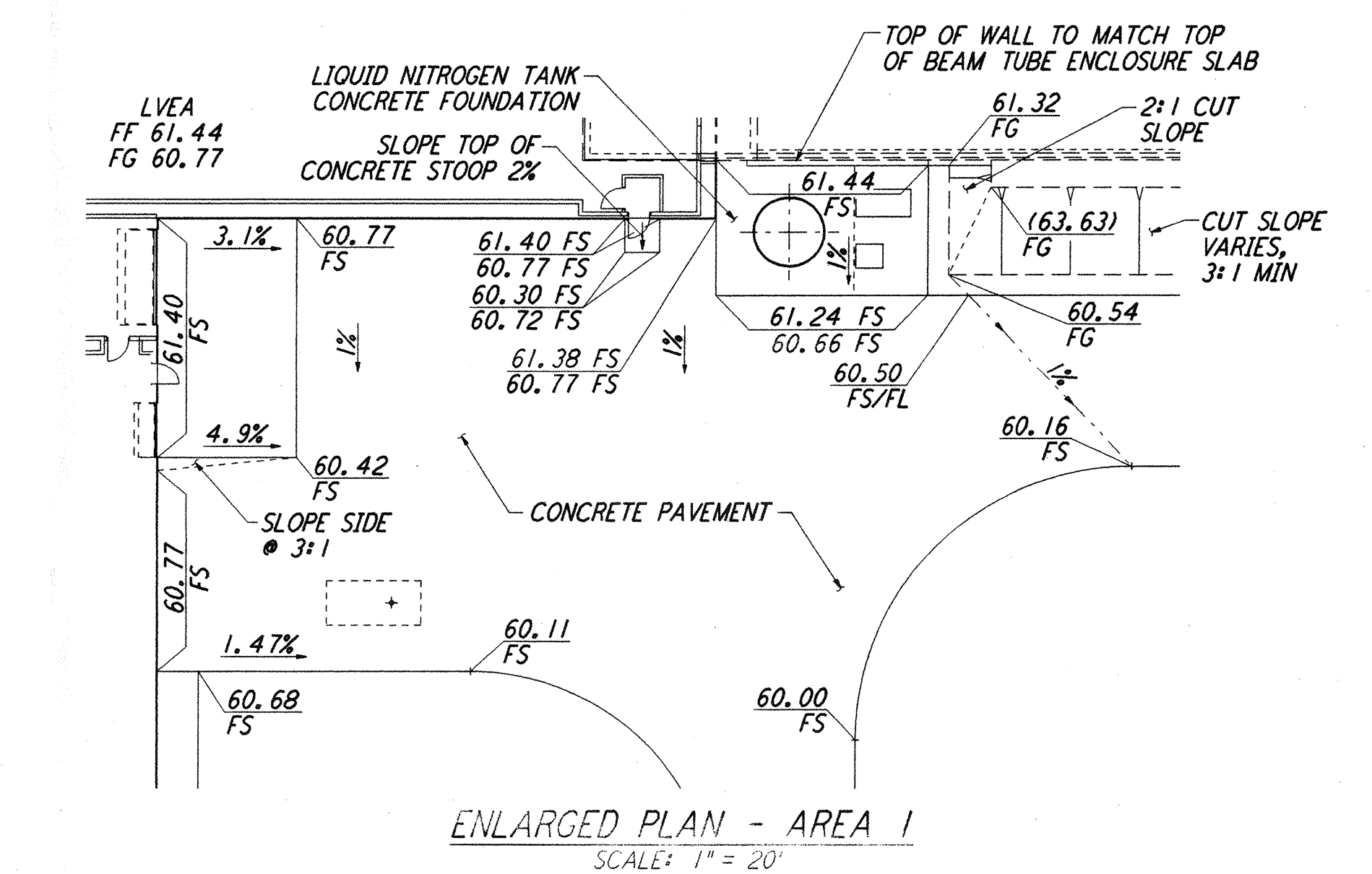
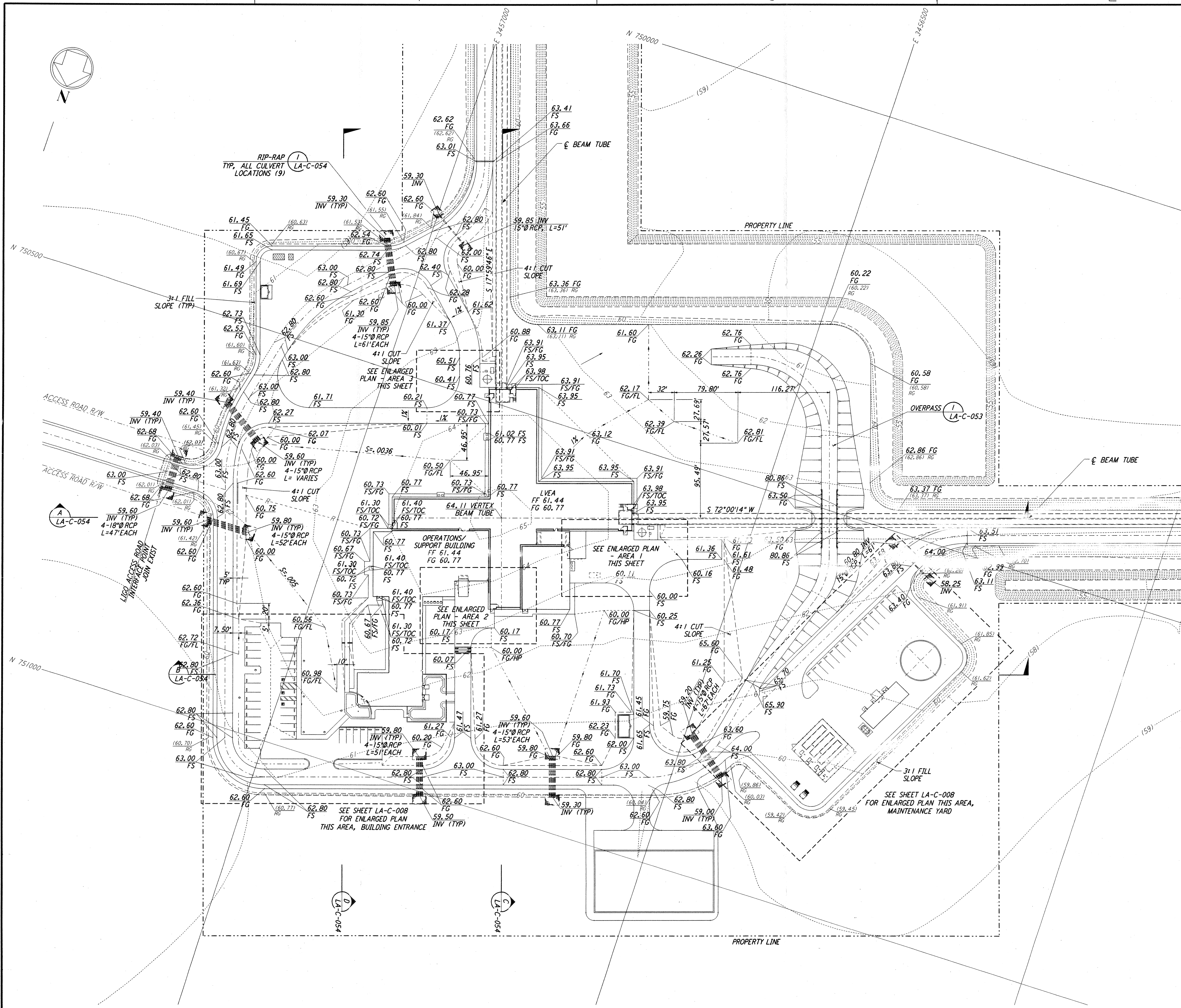


**NOTES:**  
 1. SEE SHEET LA-C-002 FOR GENERAL NOTES, LEGEND AND ABBREVIATIONS.



This document and the design it covers are the property of PARSONS. They are loaned only with the borrower's expressed written agreement that they will not be reproduced, copied, loaned, exhibited, or used in any other way, except by written consent from PARSONS to the borrower.

REFERENCES		REVISIONS		ISSUED FOR CONSTRUCTION		
DRAWING NO.	DESCRIPTION	NO.	DATE	BY	CHKD	
2	08-07-98	WRB	CP	TP	ML	ISSUED FOR AS-BUILT
1	2-28-97	WRB	ML	JB	TDM	ADDED WALK/ENLARGED PAD, REVISED GRADING

ISSUED FOR CONSTRUCTION	
DRAWN	WRB 11-15-96
CHECKED	ML 11-15-96
ENGINEER	JB 11-15-96
PROJ	TDM 11-15-96

**AS-BUILT DRAWINGS**

100 WEST WALNUT STREET  
 PASADENA, CALIFORNIA

CALIFORNIA INSTITUTE OF TECHNOLOGY  
 MASSACHUSETTS INSTITUTE OF TECHNOLOGY

**LASER INTERFEROMETER  
 GRAVITATIONAL-WAVE OBSERVATORY  
 SITE NO.2 - LIVINGSTON, LOUISIANA**

TITLE	CIVIL CORNER STATION GRADING PLAN	SCALE	1" = 50'	CONTINENT NUMBER	PP150969	PROJECT NUMBER	8094
SHEET NUMBER	LA-C-007	REVISIONS					