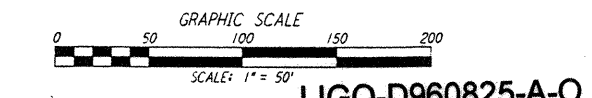
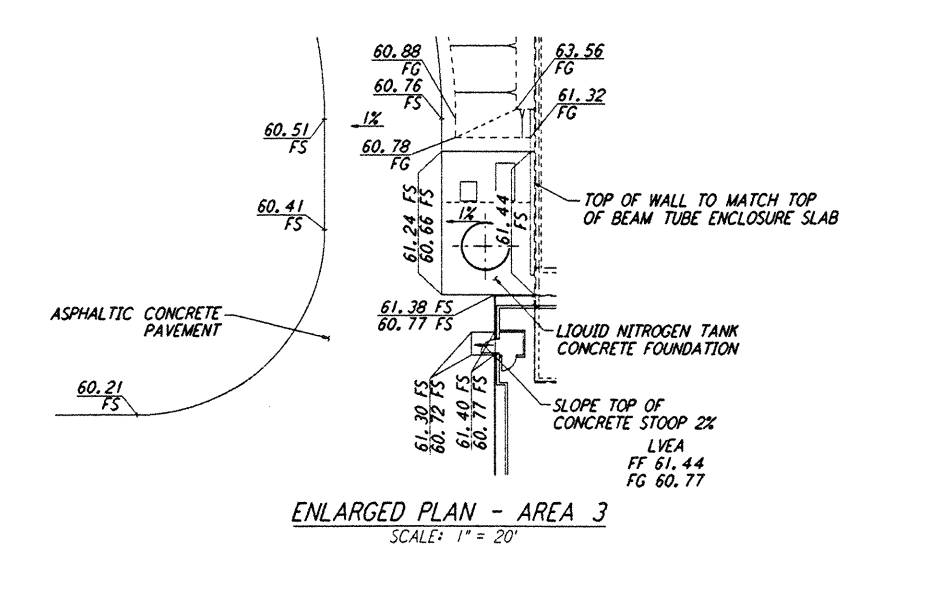
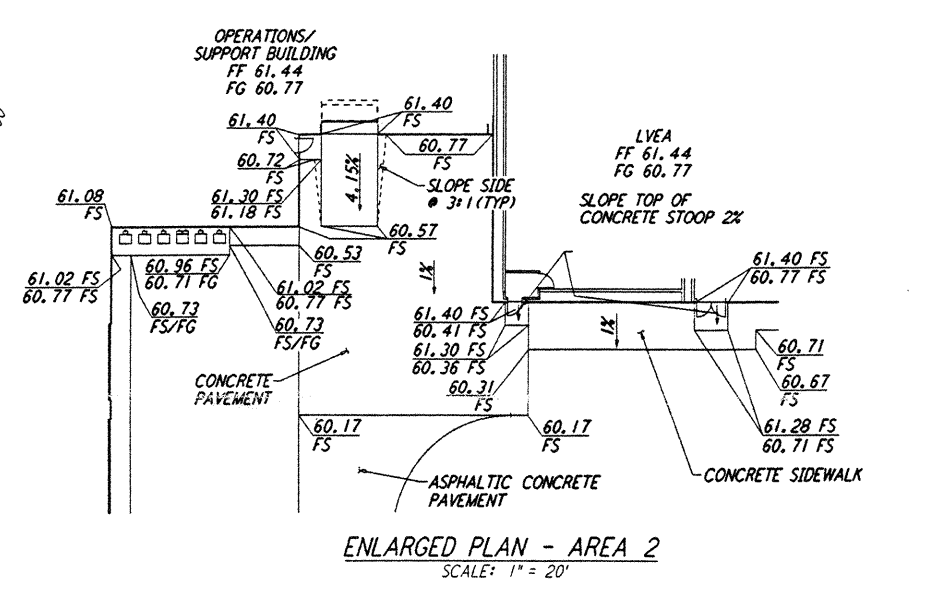
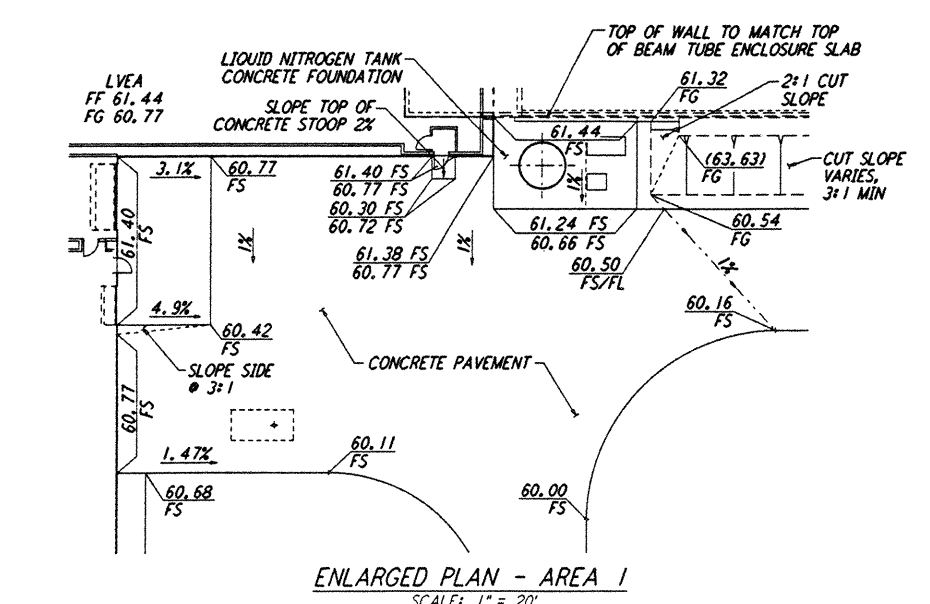
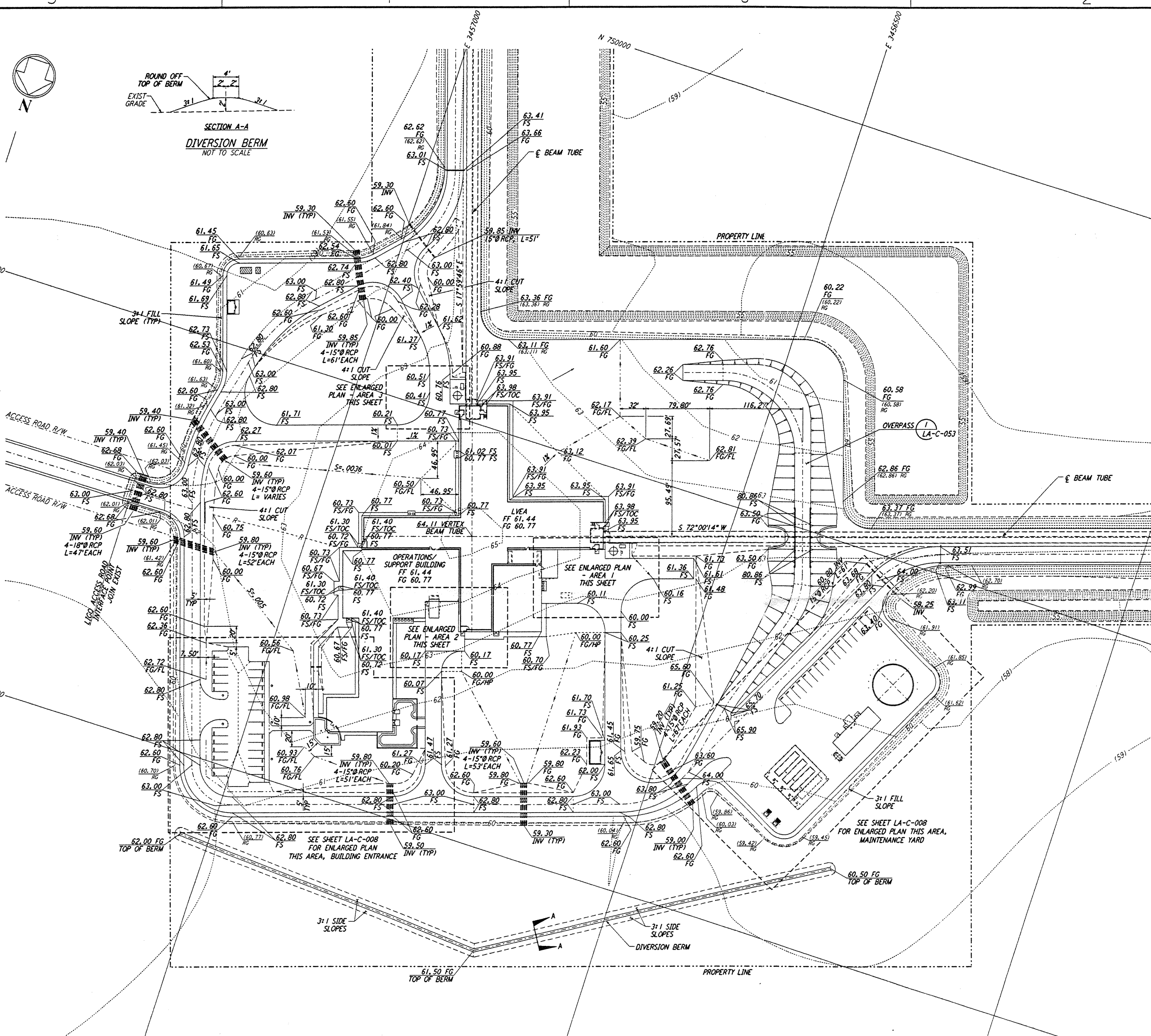
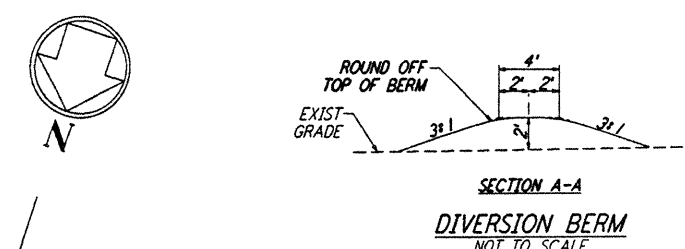


NOTES:
 1. SEE SHEET LA-C-002 FOR GENERAL NOTES, LEGEND AND ABBREVIATIONS.



This document and the design it covers are the property of PARSONS. They are loaned only with the borrower's expressed written agreement that they will not be reproduced, copied, loaned, exhibited, or used in any other way, except by written consent from PARSONS to the borrower.

NO.	DATE	BY	CHKD	ENGR	PROJ	DESCRIPTION
A	6/14/96	WRB	WRB			FINAL DESIGN REVIEW

DRAWN	WRB
CHECKED	
ENGINEER	
PROJ	

100 WEST WALNUT STREET
 PASADENA, CALIFORNIA

CALIFORNIA INSTITUTE OF TECHNOLOGY
 MASSACHUSETTS INSTITUTE OF TECHNOLOGY

LASER INTERFEROMETER
 GRAVITATIONAL-WAVE OBSERVATORY
 SITE NO. 2 - LIVINGSTON, LOUISIANA

CIVIL CORNER STATION GRADING PLAN

SCALE: 1" = 50'
 CONTRACT NUMBER: PP150969
 PROJECT NUMBER: 8094

SHEET NUMBER: LA-C-007