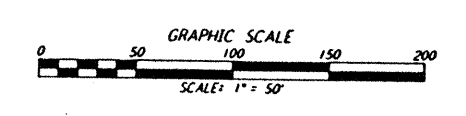
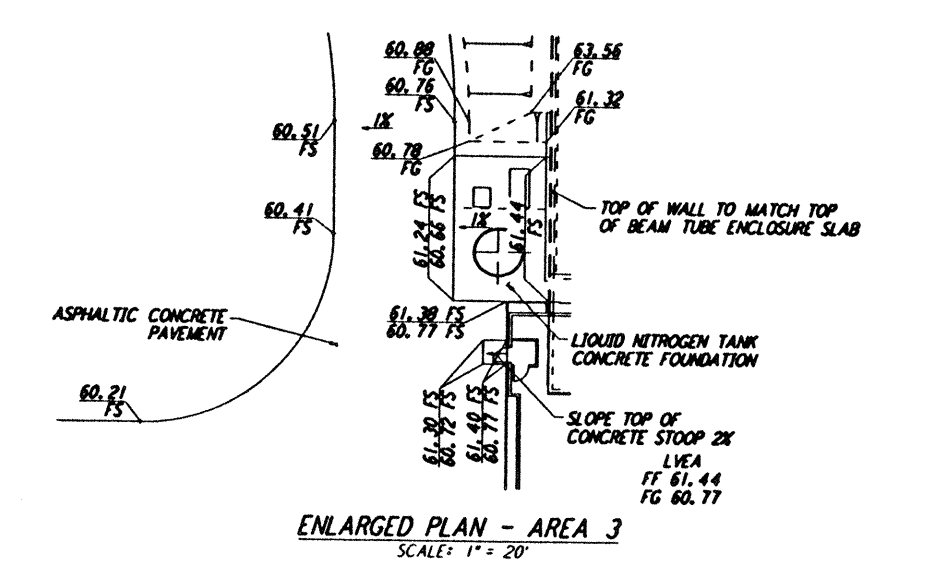
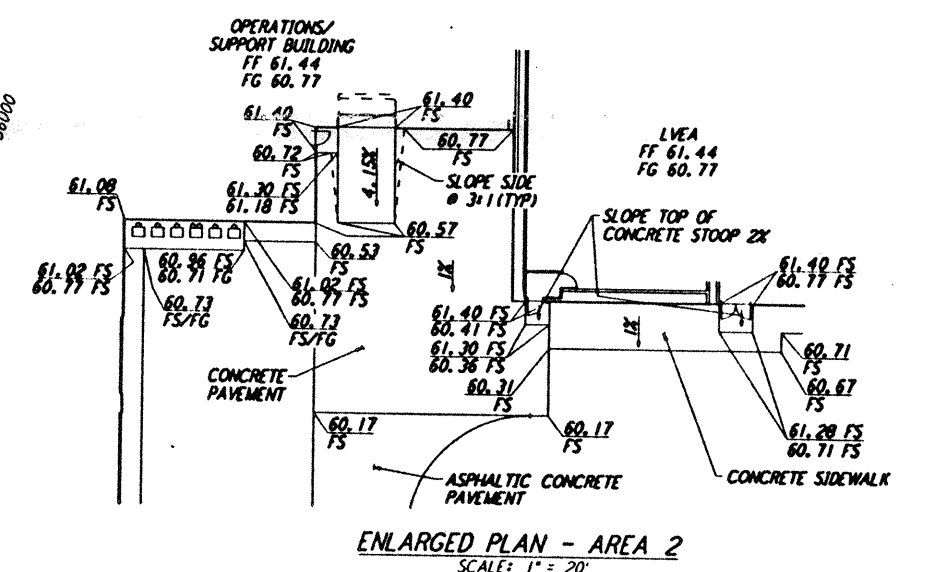
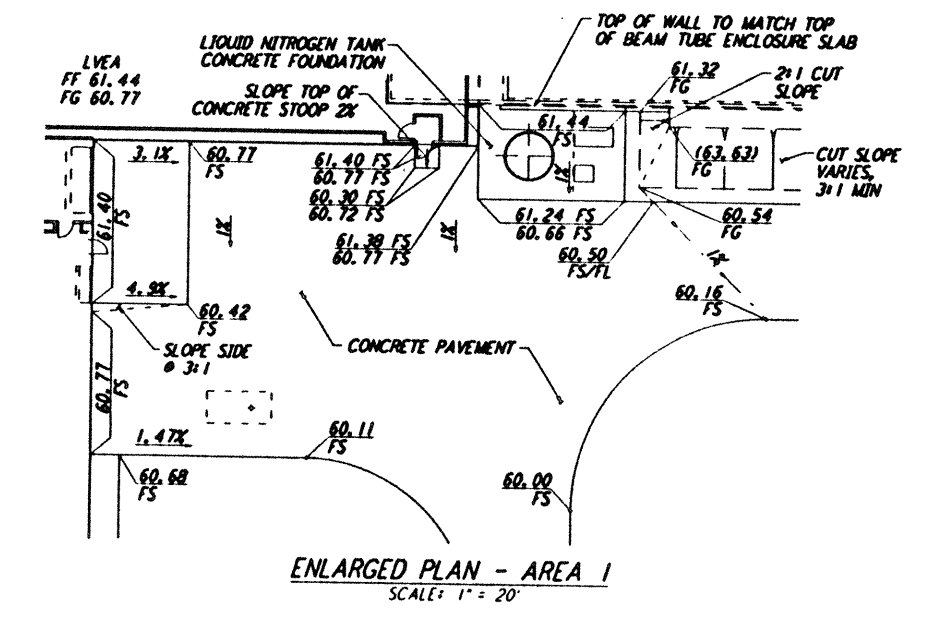
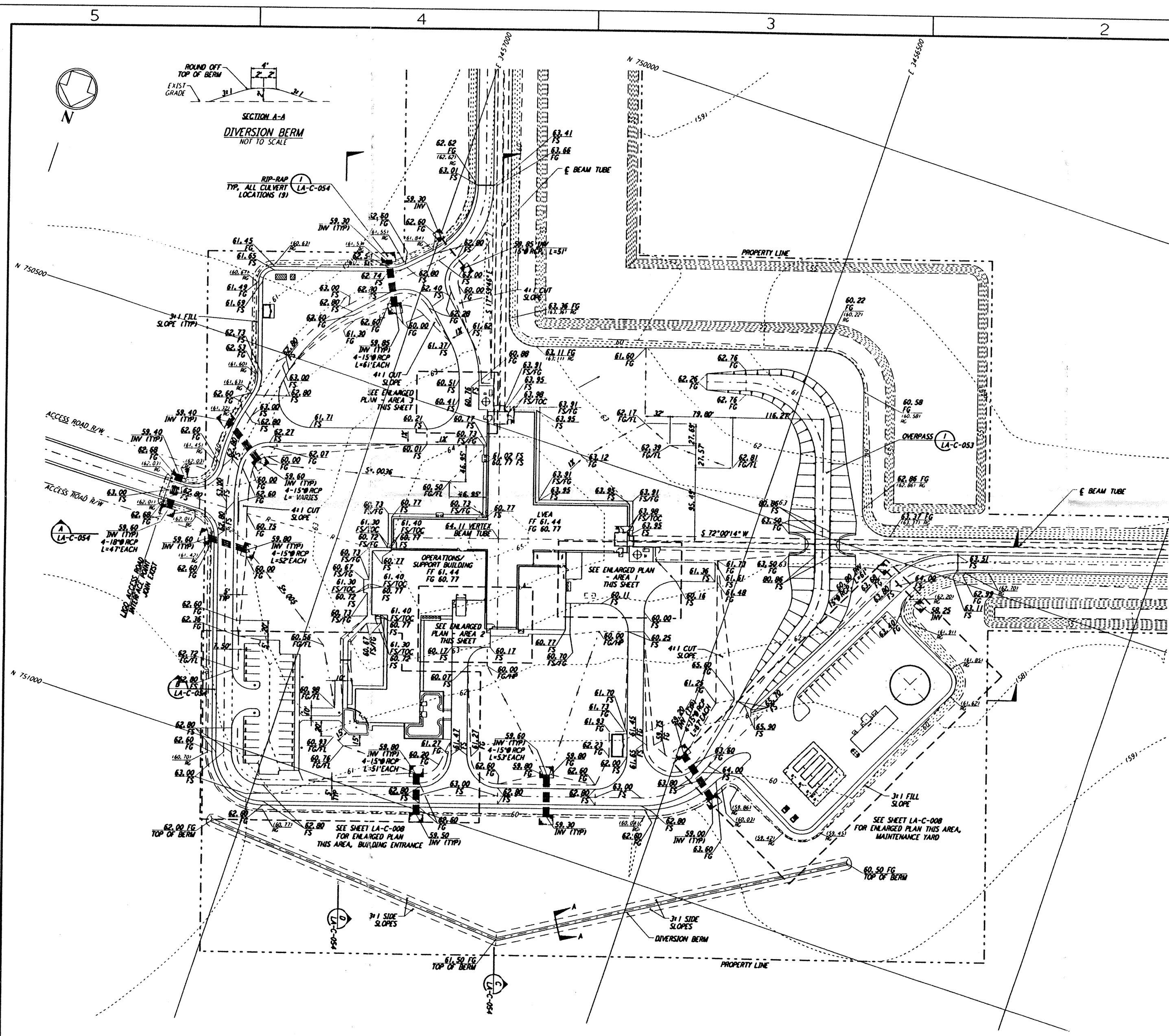


NOTES:
 1. SEE SHEET LA-C-002 FOR GENERAL NOTES, LEGEND AND ABBREVIATIONS.



This document and the design it covers are the property of PARSONS. They are loaned only with the borrower's expressed written agreement that they will not be reproduced, copied, loaned, exhibited, or used in any other way, except by written consent from PARSONS to the borrower.



NO.	DATE	BY	CHKD	ENGR	PROJ	DESCRIPTION
B	7/24/96	WRB	ML	UB	2201	ISSUED FOR BID
A	6/14/96	WRB	ML	UB	TOM	FINAL DESIGN REVIEW

DRAWN	WRB
CHECKED	
ENGINEER	
PROJ	

PARSONS
 100 WEST WALNUT STREET
 PASADENA, CALIFORNIA

LIGO
 CALIFORNIA INSTITUTE OF TECHNOLOGY
 MASSACHUSETTS INSTITUTE OF TECHNOLOGY

LASER INTERFEROMETER
 GRAVITATIONAL-WAVE OBSERVATORY
 SITE NO. 2 - LIVINGSTON, LOUISIANA

CIVIL
 CORNER STATION
 GRADING PLAN

SCALE: 1" = 50'
 CONTRACT NUMBER: PPI50969
 PROJECT NUMBER: 8094

LA-C-007

LIGO-D960825-B-O

Mon Jul 22 06:25:16 1996 s3-v18b2 J:\PLOTS\QUEUES\18B2\CE007A.PRF