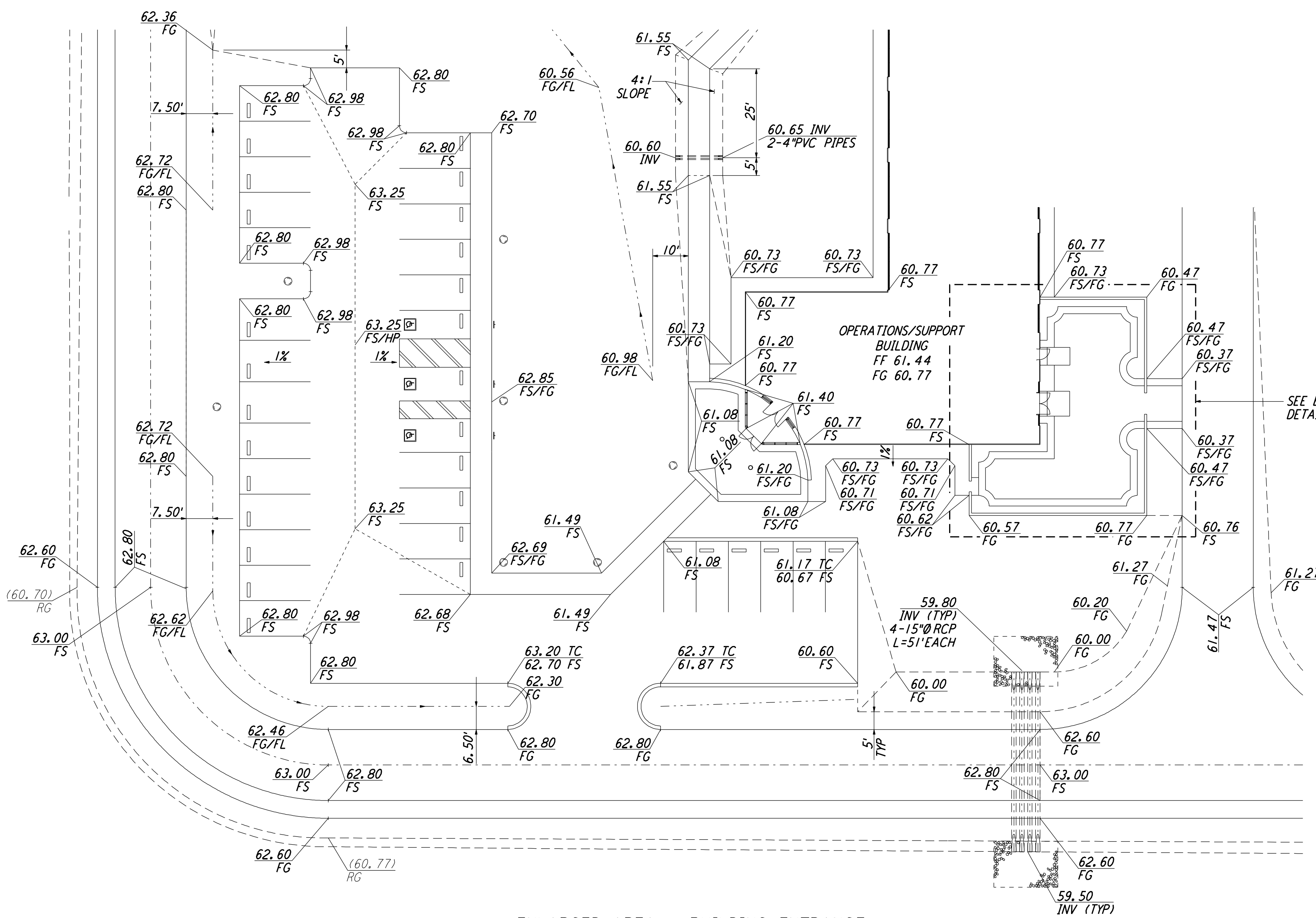
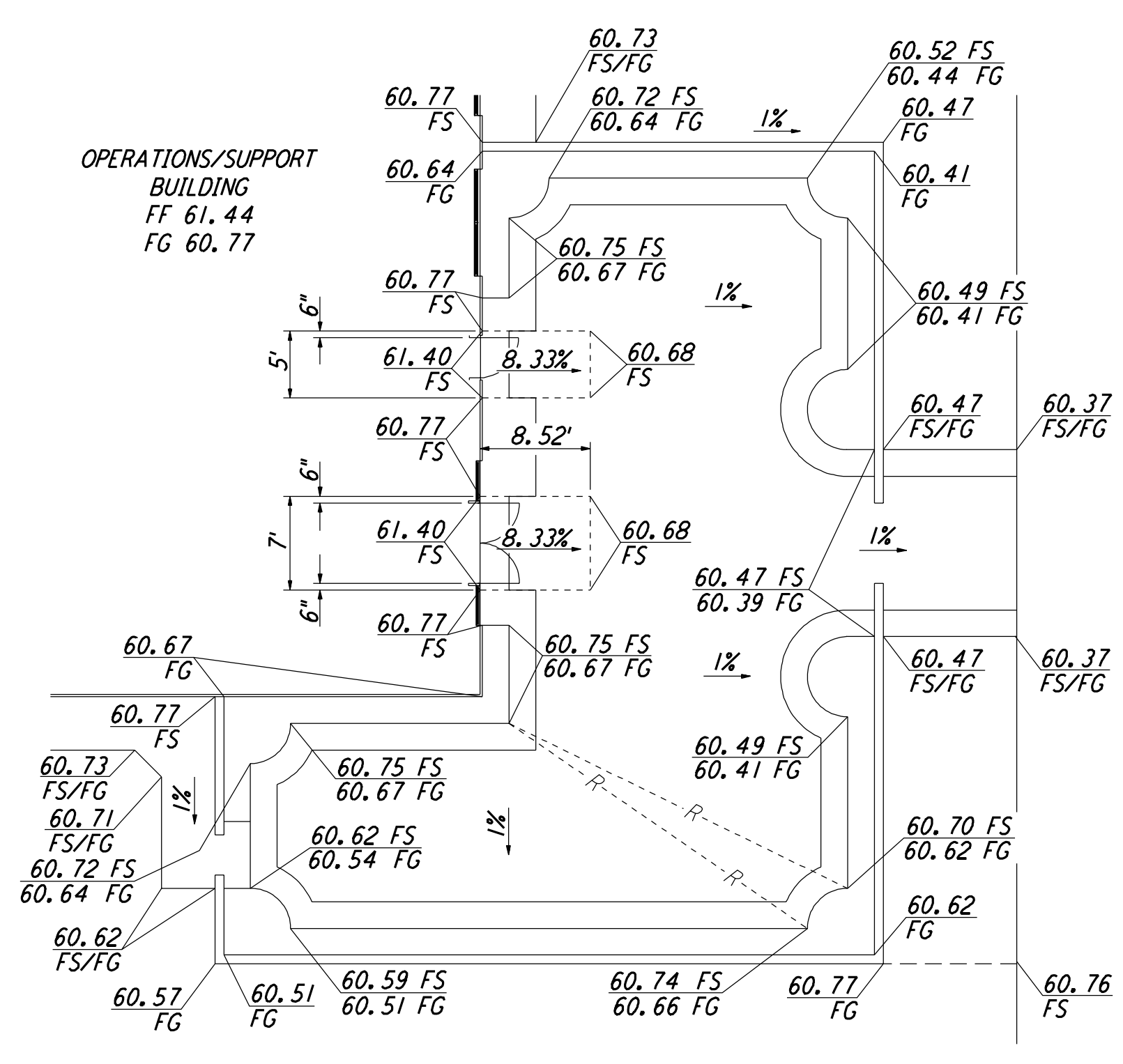


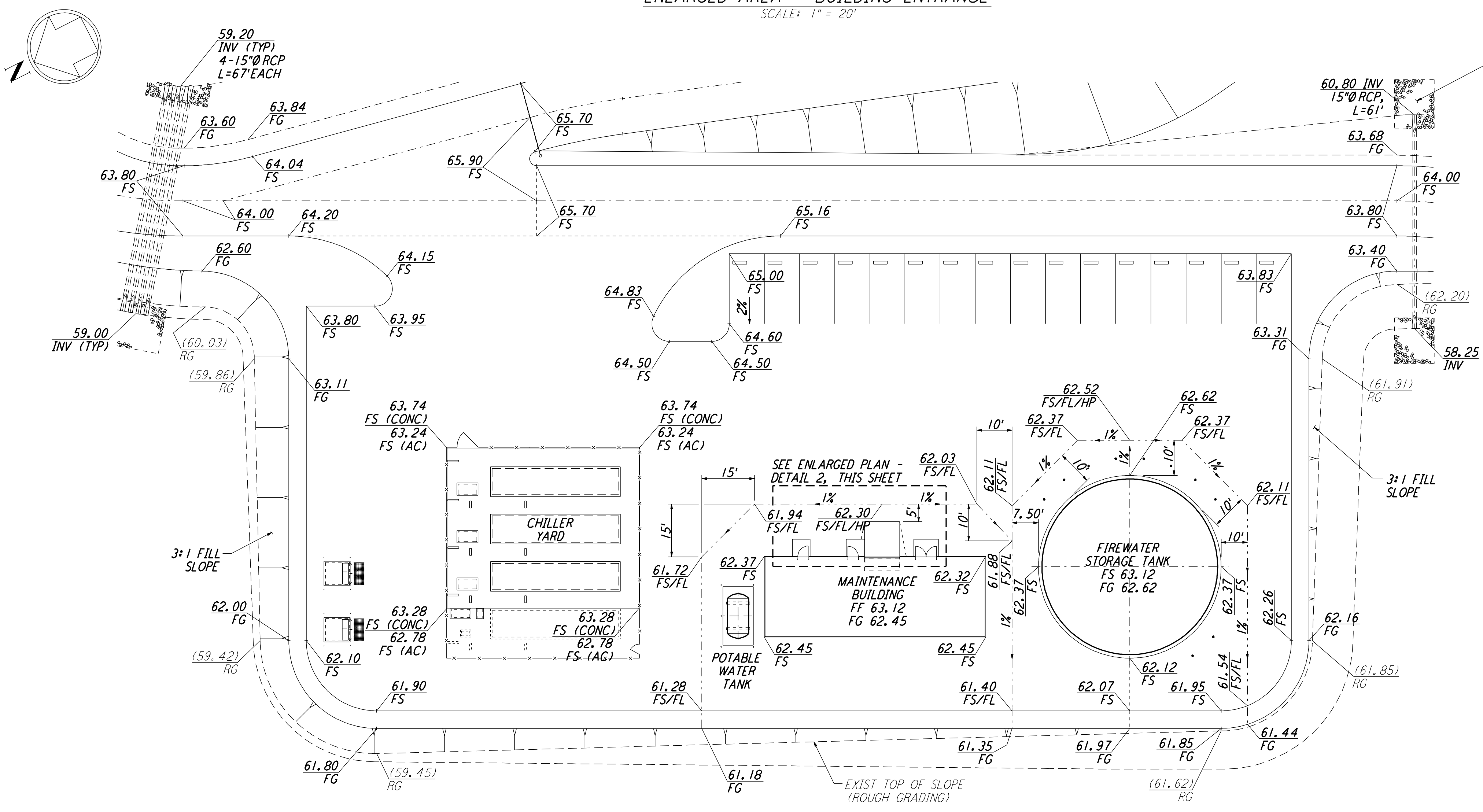
NOTES:
 1. SEE SHEET LA-C-002 FOR GENERAL NOTES, LEGEND AND ABBREVIATIONS.



ENLARGED AREA - BUILDING ENTRANCE
 SCALE: 1" = 20'

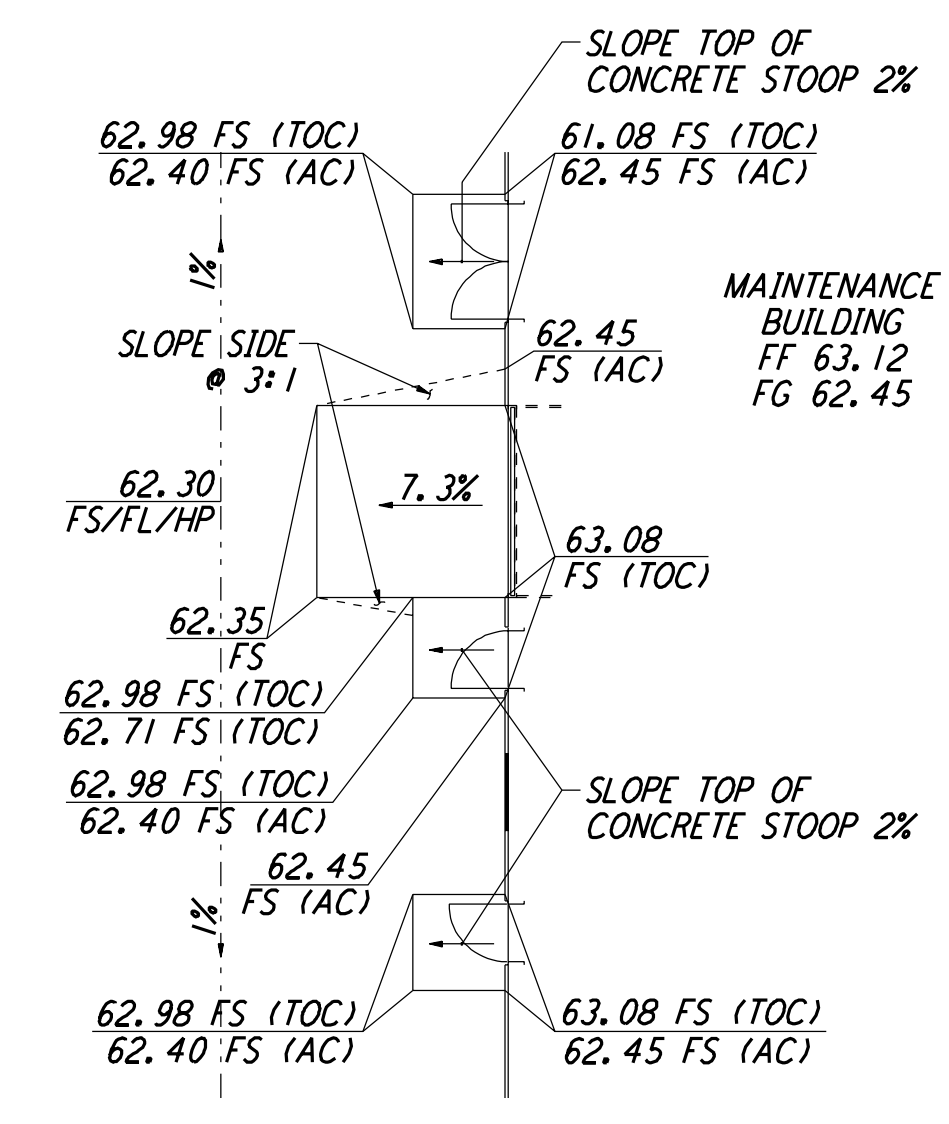


ENLARGED AREA - DETAIL 1
 SCALE: 1" = 10'



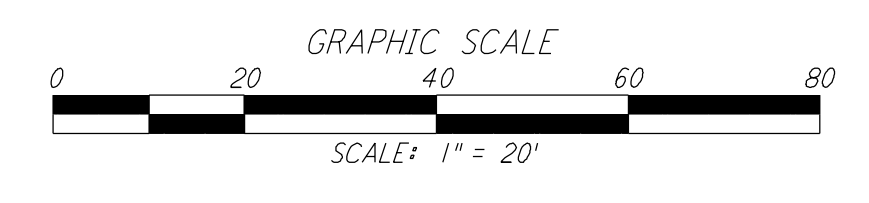
ENLARGED AREA - MAINTENANCE YARD
 SCALE: 1" = 20'

RIP-RAP
 TYP. ALL CULVERT LOCATIONS
 LA-C-054



ENLARGED AREA - DETAIL 2
 SCALE: 1" = 10'

LIGO-D960826-02-O



NO.	DATE	BY	CHKD	ENGR	PROJ	DESCRIPTION
2	08-07-98	WRB				ISSUED FOR AS-BUILT
1	2-28-97	WRB	ML	JB	TDM	ADDED WALK/WALL OPENING, REVISED GRADING

ISSUED FOR CONSTRUCTION			
DRAWN	WRB	11-15-96	
CHECKED	ML	11-15-96	
ENGINEER	JB	11-15-96	
PROJ	TDM	11-15-96	

AS-BUILT DRAWINGS

PARSONS
 100 WEST WALNUT STREET
 PASADENA, CALIFORNIA

LIGO
 CALIFORNIA INSTITUTE OF TECHNOLOGY
 MASSACHUSETTS INSTITUTE OF TECHNOLOGY

LASER INTERFEROMETER
 GRAVITATIONAL-WAVE OBSERVATORY
 SITE NO. 2 - LIVINGSTON, LOUISIANA

TITLE	CIVIL CORNER STATION GRADING PLAN ENLARGED PLAN	SCALE	AS NOTED	CONTRACT NUMBER	PP150969	PROJECT NUMBER	8094
SHEET NUMBER	LA-C-008	REVISIONS					

This document and the design it covers are the property of PARSONS. They are loaned only with the borrower's expressed written agreement that they will not be reproduced, copied, loaned, exhibited, or used in any other way, except by written consent from PARSONS to the borrower.

This document and the design it covers are the property of PARSONS. They are loaned only with the borrower's expressed written agreement that they will not be reproduced, copied, loaned, exhibited, or used in any other way, except by written consent from PARSONS to the borrower.

Tue Oct 6 10:45:33 1998 c:\largo\site2\ce\loc008.dwg No. 0000055.E3802.CE008.PDF