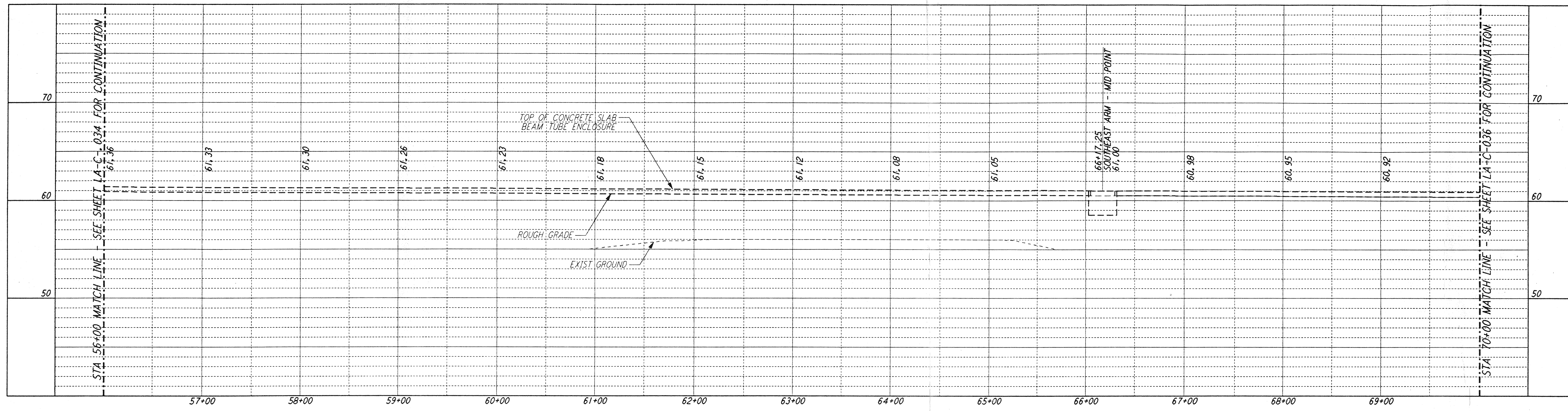
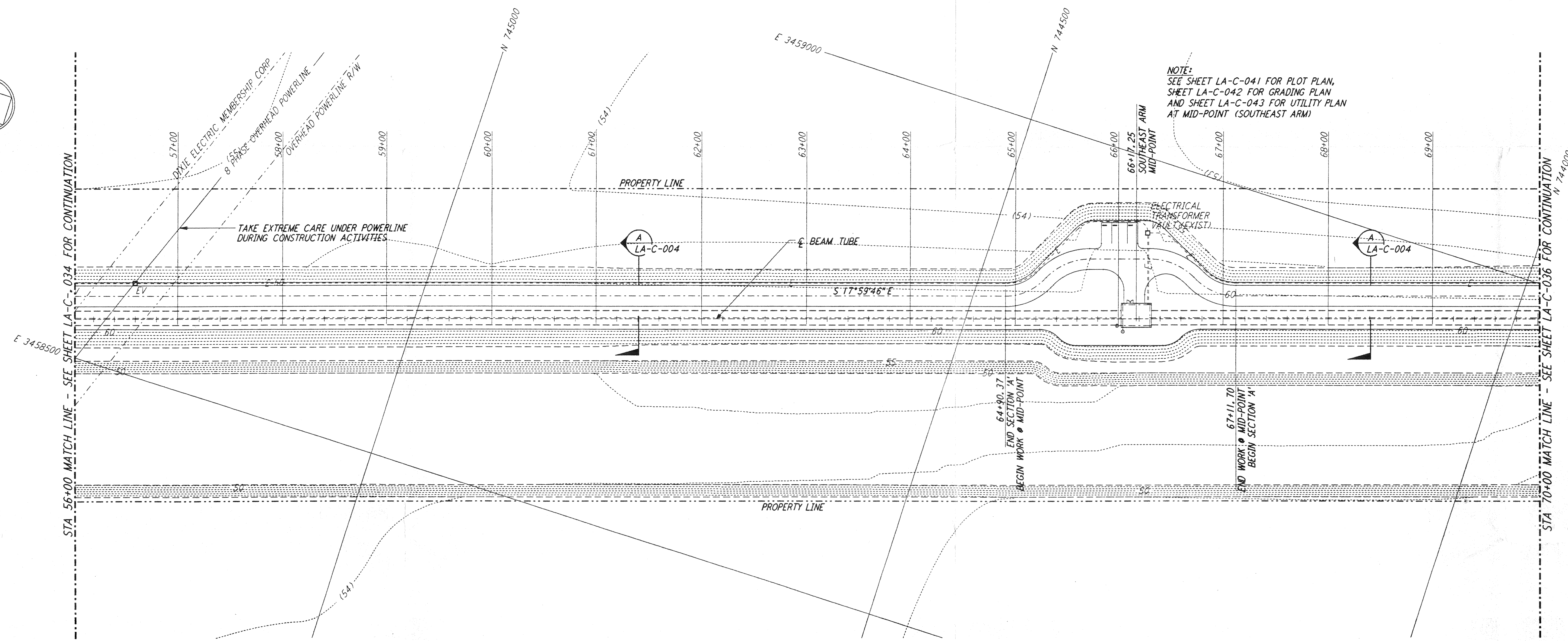
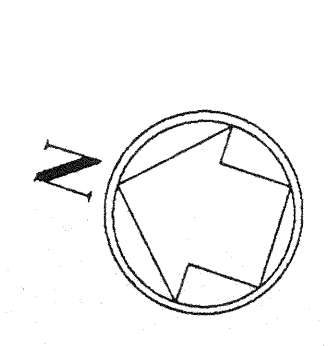


This document and the design it covers are the property of **PARSONS**. They are loaned only with the borrower's expressed written agreement that they will not be reproduced, copied, loaned, exhibited, or used in any other way, except by written consent from **PARSONS** to the borrower.



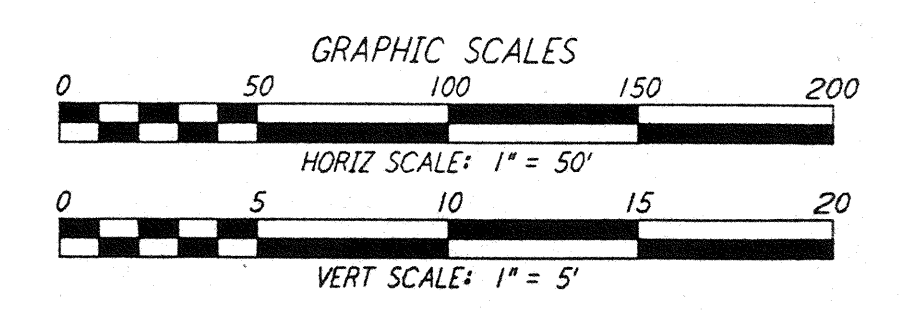
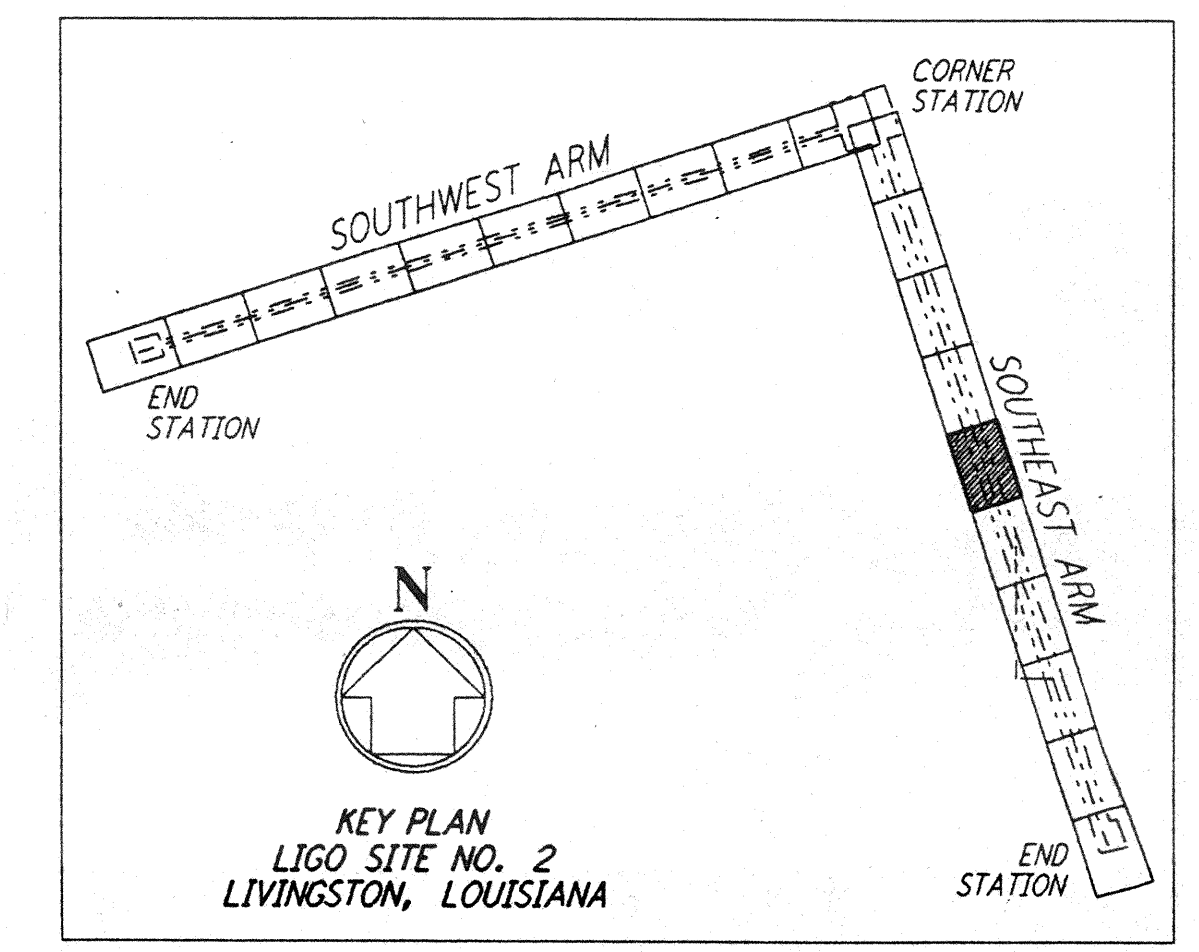
**PROFILE**  
 SCALES: HORIZ: 1" = 50'  
 VERT: 1" = 5'



**PLAN**  
 SCALE: 1" = 50'

**NOTES:**

1. SEE SHEET LA-C-002 FOR GENERAL NOTES, LEGEND AND ABBREVIATIONS.
2. SEE SHEET LA-C-004 FOR TYPICAL SECTIONS AND DETAILS.



DRAWING NO.	DESCRIPTION	NO.	DATE	BY	CHKD	ENGR	PROJ	DESCRIPTION

ISSUED FOR CONSTRUCTION			
DRAWN	WRB	11-15-96	
CHECKED	WL	11-15-96	
ENGINEER		11/15/96	
PROJ		11/15/96	

*Jefferson Hanna*  
 11/15/96

**PARSONS**  
 100 WEST WALNUT STREET  
 PASADENA, CALIFORNIA

**LIGO**  
 CALIFORNIA INSTITUTE OF TECHNOLOGY  
 MASSACHUSETTS INSTITUTE OF TECHNOLOGY

LASER INTERFEROMETER  
 GRAVITATIONAL-WAVE OBSERVATORY  
 SITE NO. 2 - LIVINGSTON, LOUISIANA

CIVIL  
 SOUTHWEST ARM  
 PLAN AND PROFILE  
 STA 56+00 TO STA 70+00

SCALE: CONTRACT NUMBER: PROJECT NUMBER:  
 AS NOTED PPI50969 8094

SHEET NUMBER: **LA-C-035**