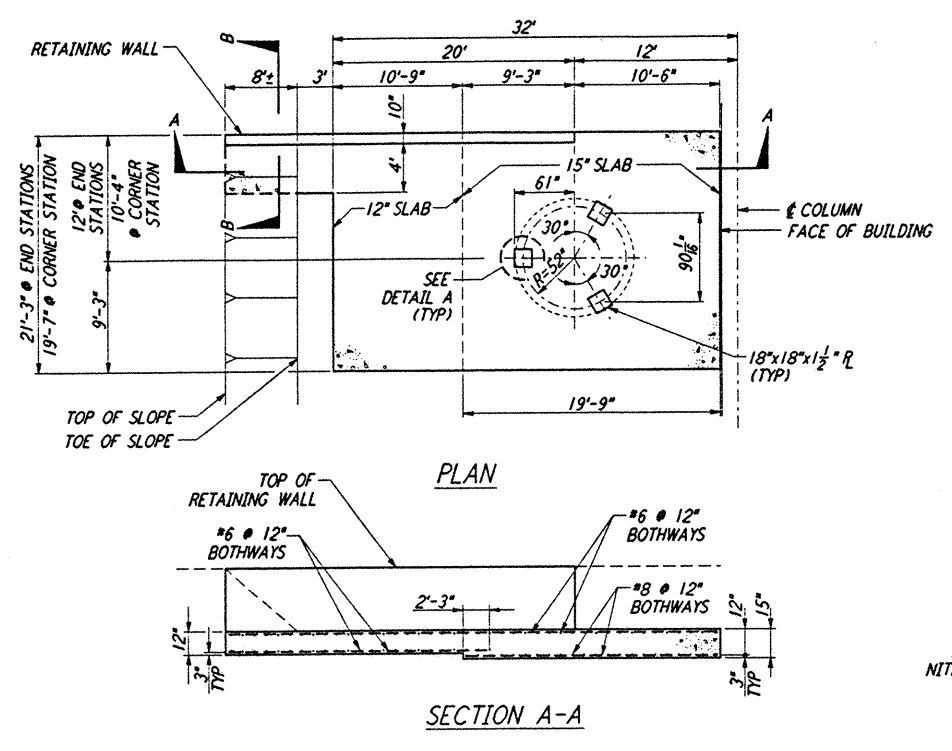
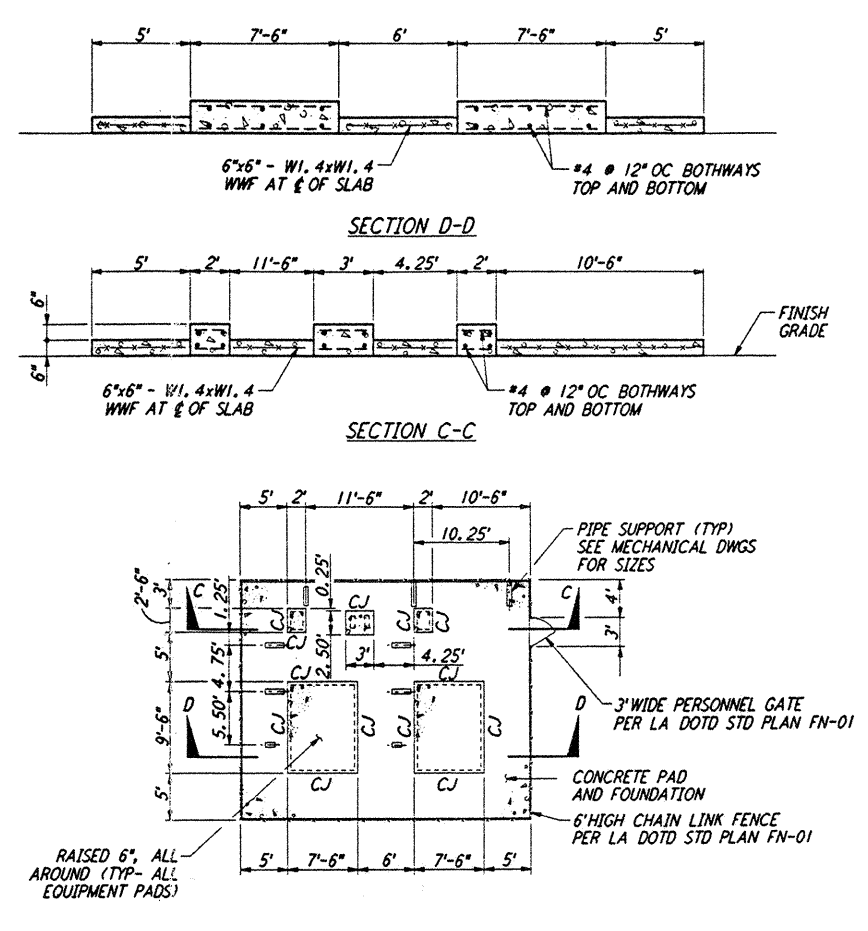
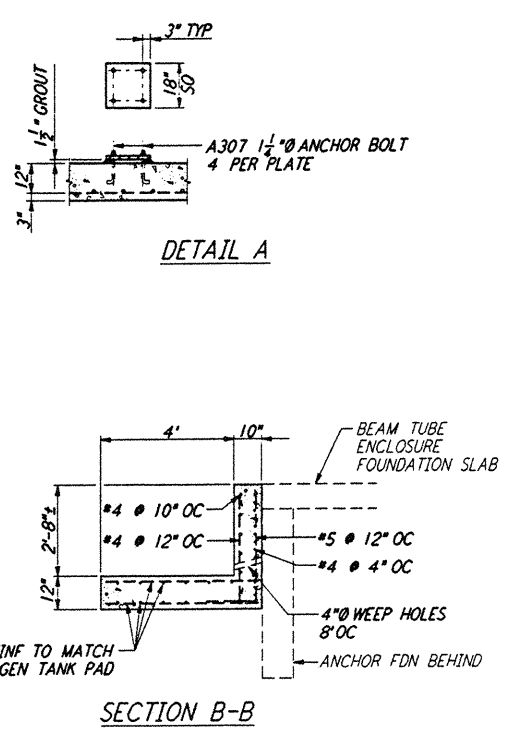


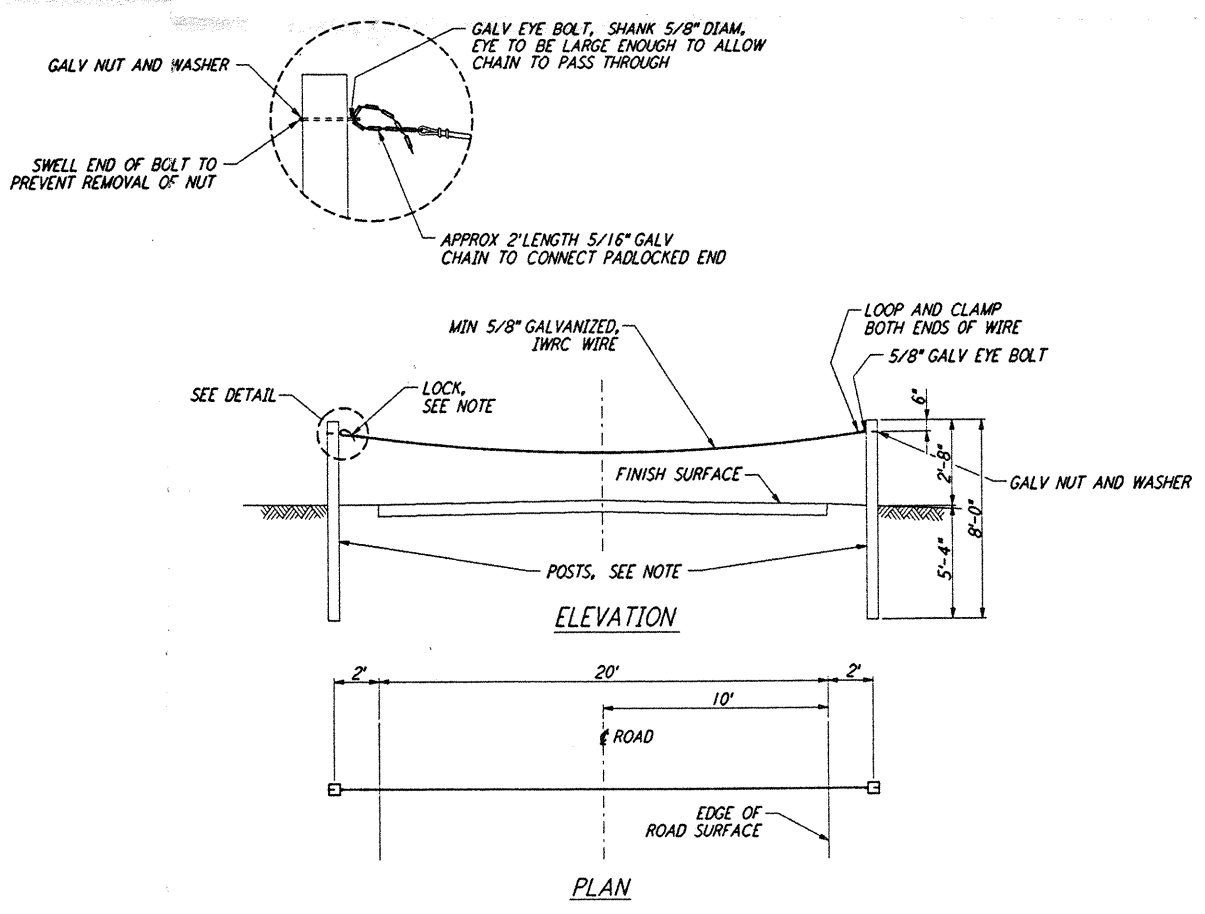
**NOTES:**  
 1. SEE SHEET LA-C-002 FOR GENERAL NOTES, LEGEND AND ABBREVIATIONS.



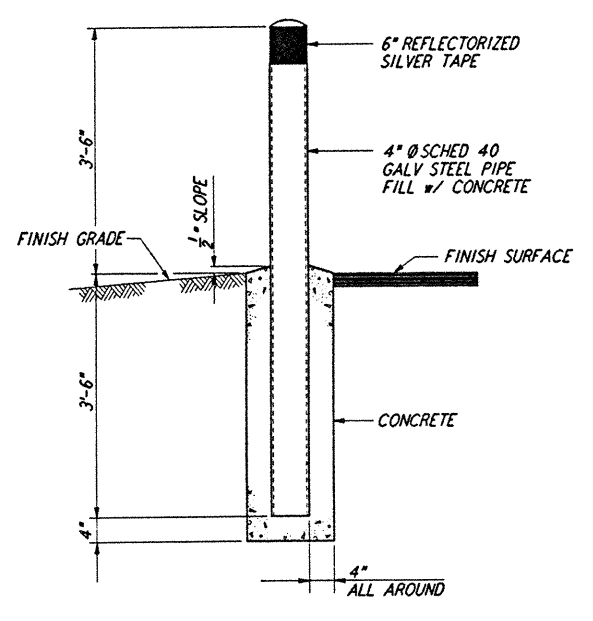
**CONCRETE FOUNDATION FOR LIQUID NITROGEN TANK**  
 NOT TO SCALE  
 1 REF LA-C-052 LA-C-005 LA-C-025 LA-C-045



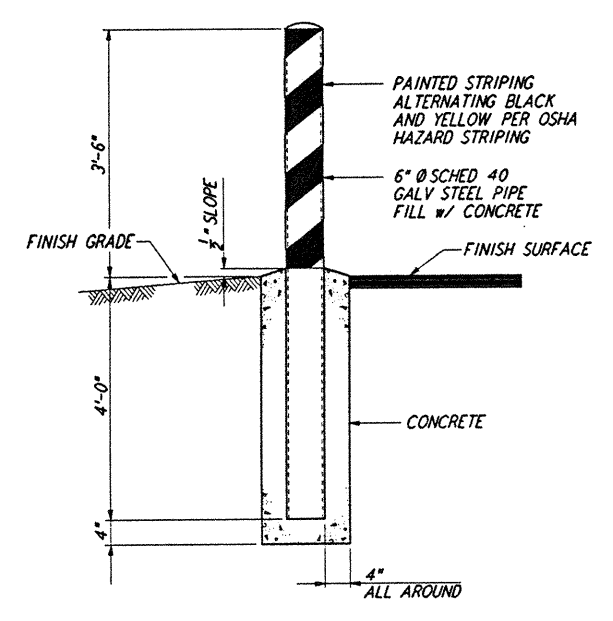
**ENLARGED CHILLER YARD PLAN @ END STATIONS**  
 NOT TO SCALE  
 2 REF LA-C-052 LA-C-025 LA-C-045



**ACCESS CONTROL GATE**  
 NOT TO SCALE  
 5 REF LA-C-052 LA-C-005 LA-C-006 LA-C-025 LA-C-045



**GUARD POST**  
 NOT TO SCALE  
 3 REF LA-C-052 LA-C-006 LA-C-055



**BOLLARD**  
 NOT TO SCALE  
 4 REF LA-C-052 LA-C-005 LA-C-006 LA-C-025 LA-C-045

This document and the design it covers are the property of PARSONS. They are loaned only with the borrower's expressed written agreement that they will not be reproduced, copied, loaned, exhibited, or used in any other way, except by written consent from PARSONS to the borrower.

This document and the design it covers are the property of PARSONS. They are loaned only with the borrower's expressed written agreement that they will not be reproduced, copied, loaned, exhibited, or used in any other way, except by written consent from PARSONS to the borrower.

NO.	DATE	BY	CHKD	ENGR	PROJ	DESCRIPTION

ISSUED FOR CONSTRUCTION  
 DRAWN: WRB 11-15-96  
 CHECKED: MLX 11-15-96  
 ENGINEER: JBS 11/15/96  
 PROJ: 2019 11/15/96

**PARSONS**  
 100 WEST WALNUT STREET  
 PASADENA, CALIFORNIA

**LIGO**  
 CALIFORNIA INSTITUTE OF TECHNOLOGY  
 MASSACHUSETTS INSTITUTE OF TECHNOLOGY

LASER INTERFEROMETER  
 GRAVITATIONAL-WAVE OBSERVATORY  
 SITE NO. 2 - LIVINGSTON, LOUISIANA

CIVIL SITEWORK DETAILS  
 SHEET 2

AS NOTED PP150969 8094  
**LA-C-052**