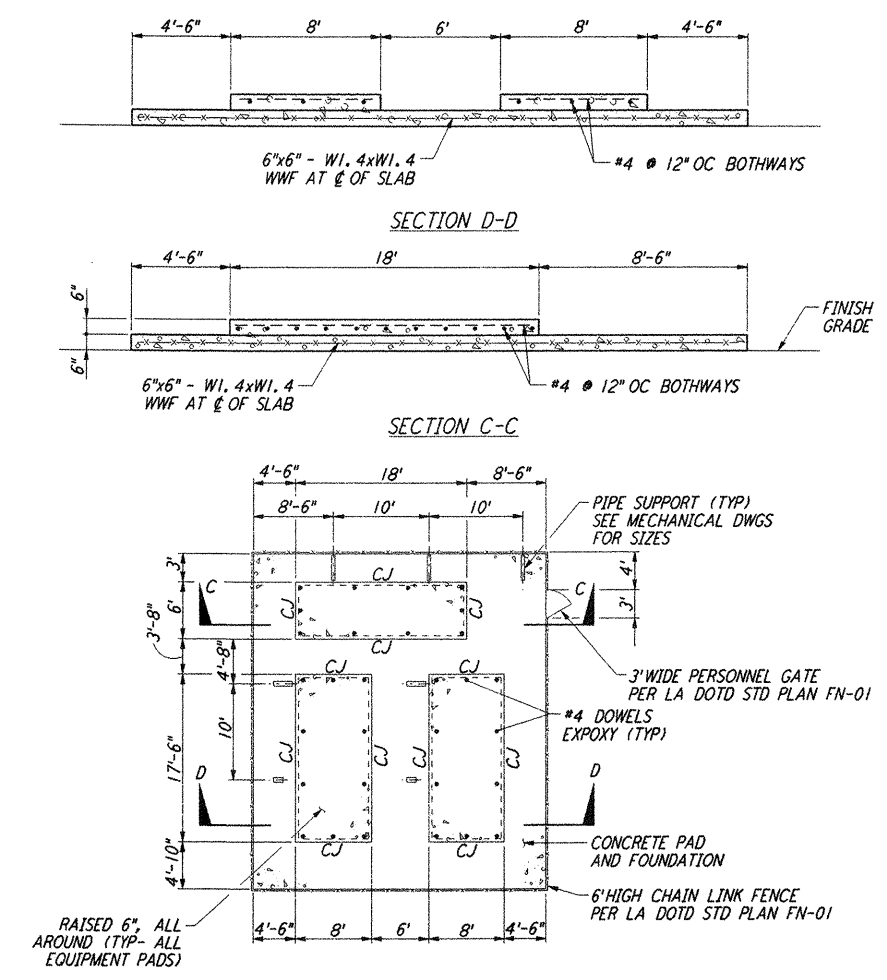
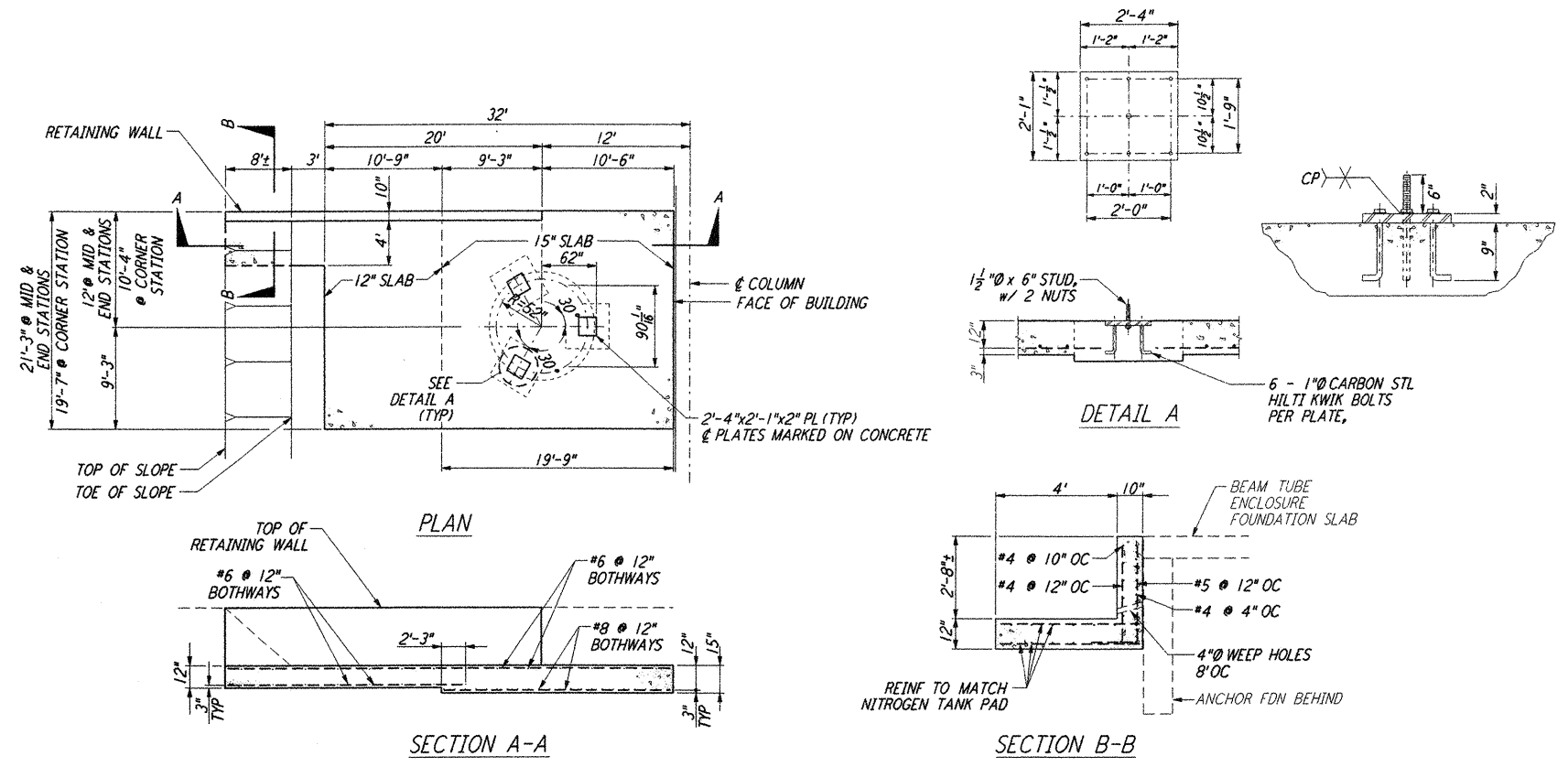
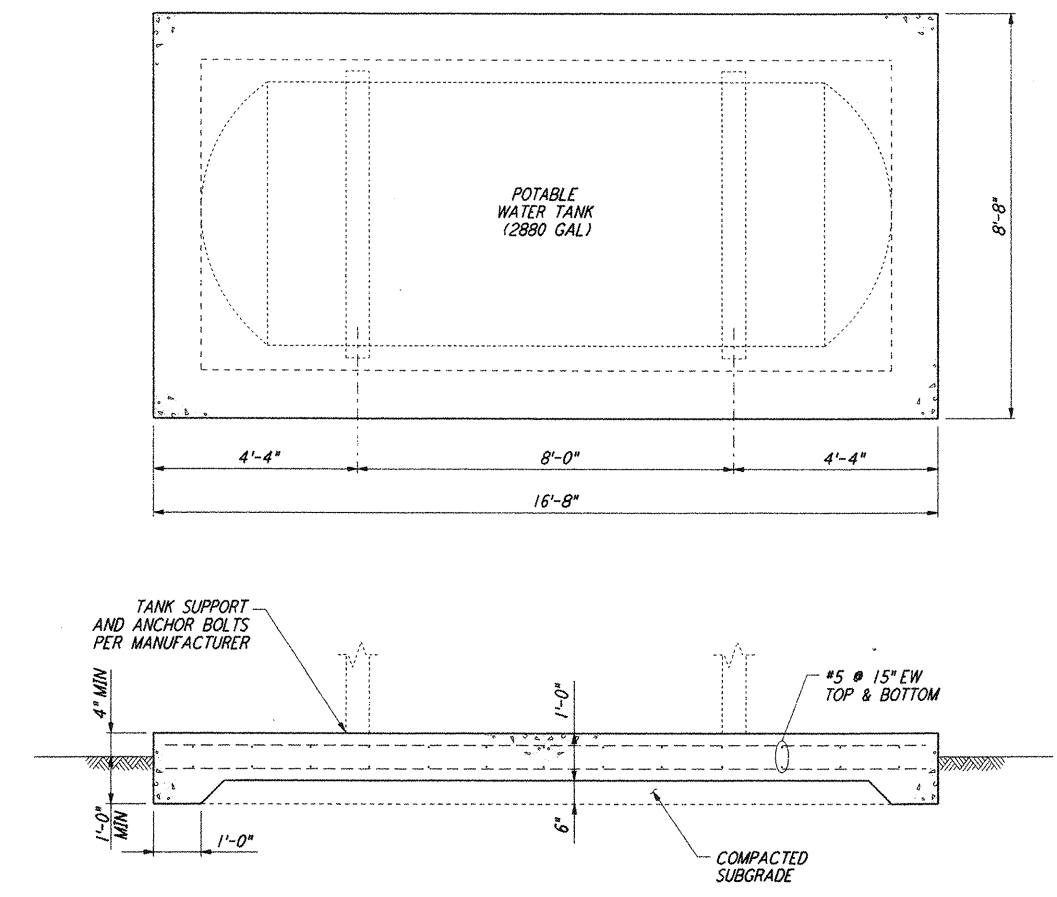
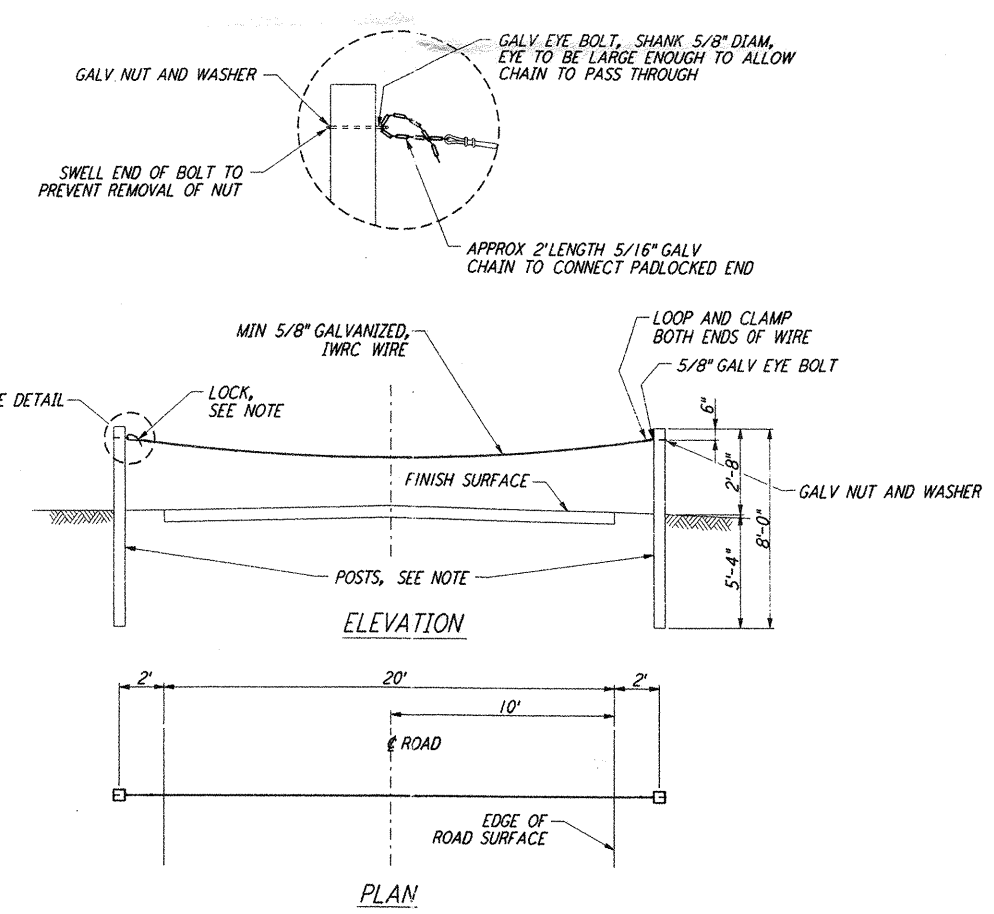
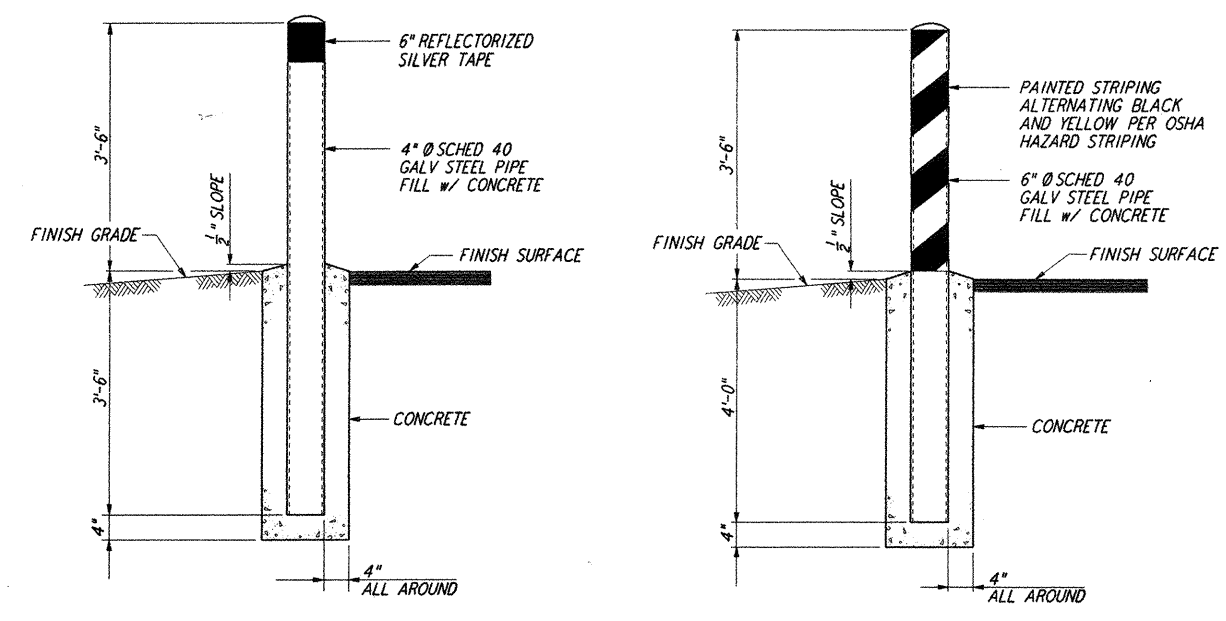


NOTES:
 1. SEE SHEET LA-C-002 FOR GENERAL NOTES, LEGEND AND ABBREVIATIONS.



not be reproduced, copied, loaned, exhibited, or used in any other way, except by written consent from PARSONS to the borrower.

This document and the design it covers are the property of PARSONS. They are loaned only with the borrower's expressed written agreement that they will



NO.	DATE	BY	CHKD	ENGR	PROJ	DESCRIPTION
1	08-07-98	WRB	CB	MM		ISSUED FOR AS-BUILT

ISSUED FOR CONSTRUCTION	WRB	11-15-96
CHECKED	ML	11-15-96
ENGINEER	JTB	11-15-96
PROJ	TDM	11-15-96

AS-BUILT DRAWINGS

PARSONS
 100 WEST WALNUT STREET
 PASADENA, CALIFORNIA

LIGO
 CALIFORNIA INSTITUTE OF TECHNOLOGY
 MASSACHUSETTS INSTITUTE OF TECHNOLOGY

LIGO-D960862-01-0
 LASER INTERFEROMETER
 GRAVITATIONAL-WAVE OBSERVATORY
 SITE NO. 2 - LIVINGSTON, LOUISIANA

TITLE: CIVIL SITEWORK DETAILS SHEET 2
 SCALE: AS NOTED
 CONTRACT NUMBER: PP150969
 PROJECT NUMBER: 8094
 SHEET NUMBER: LA-C-052