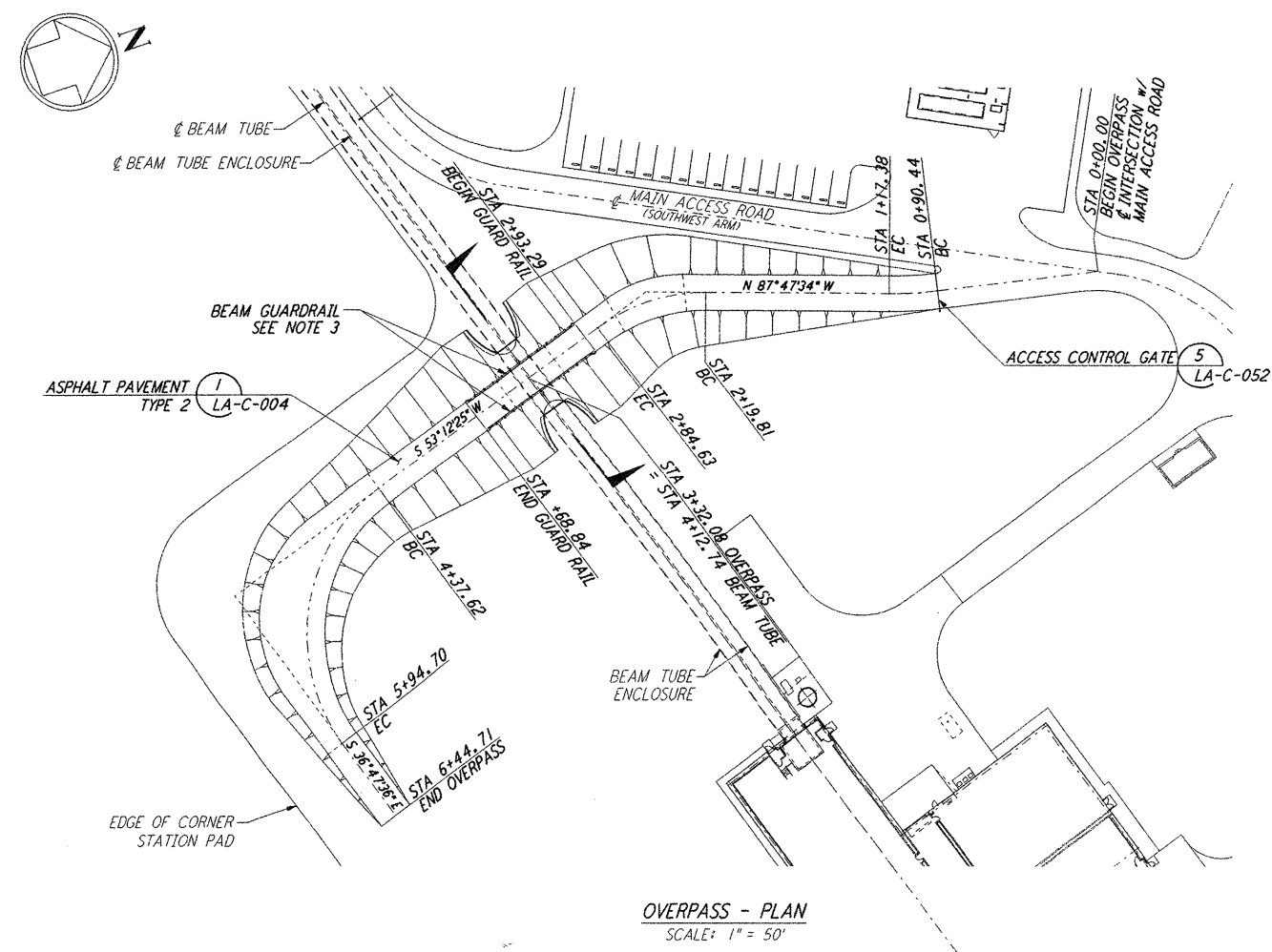
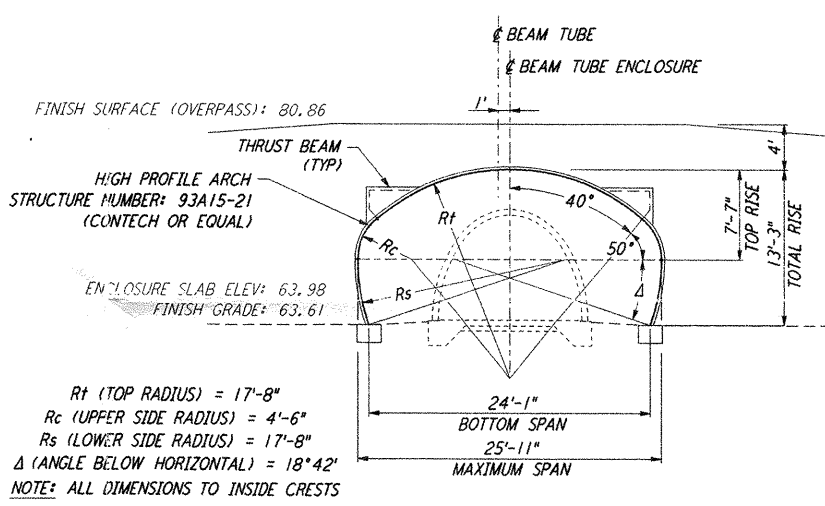
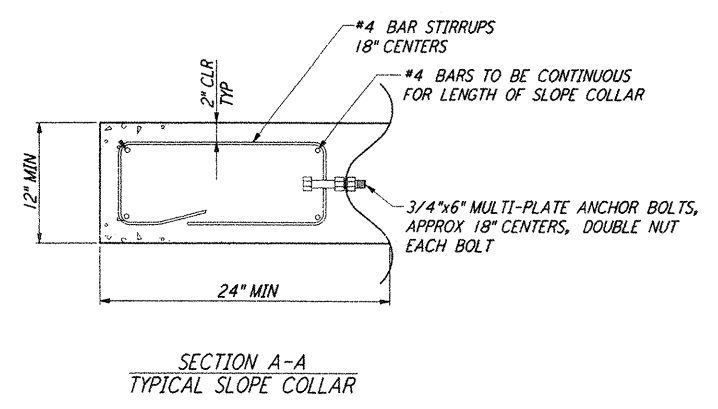
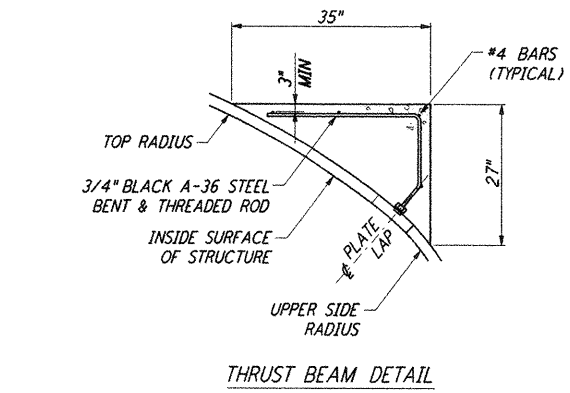
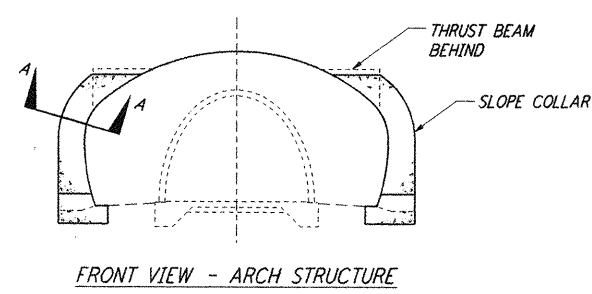
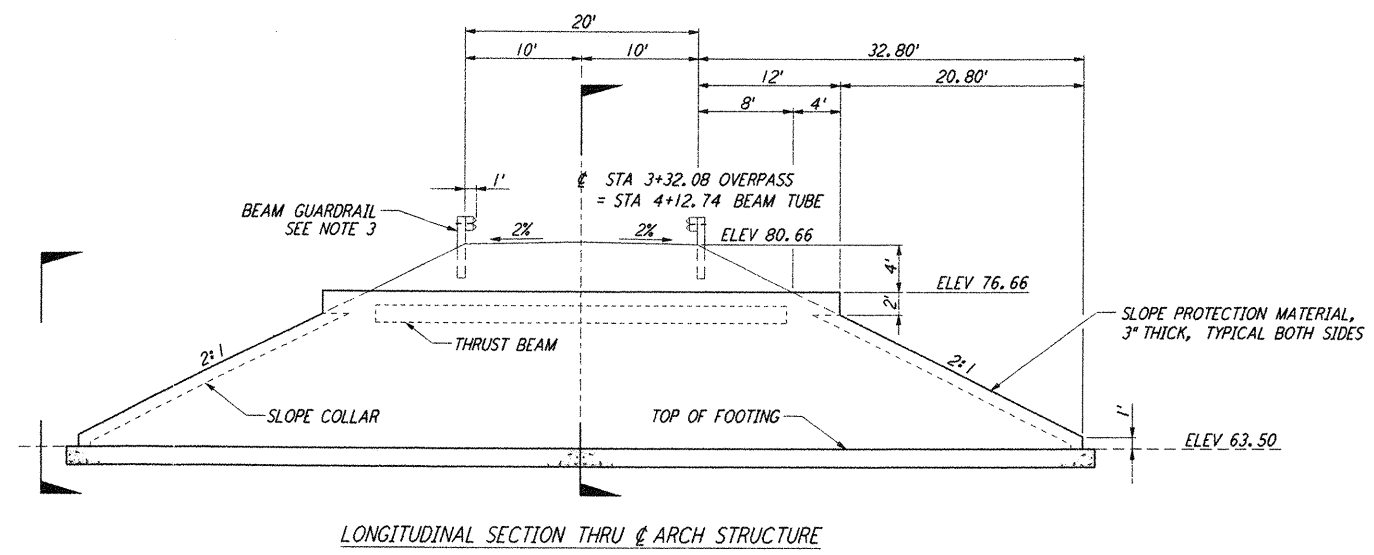
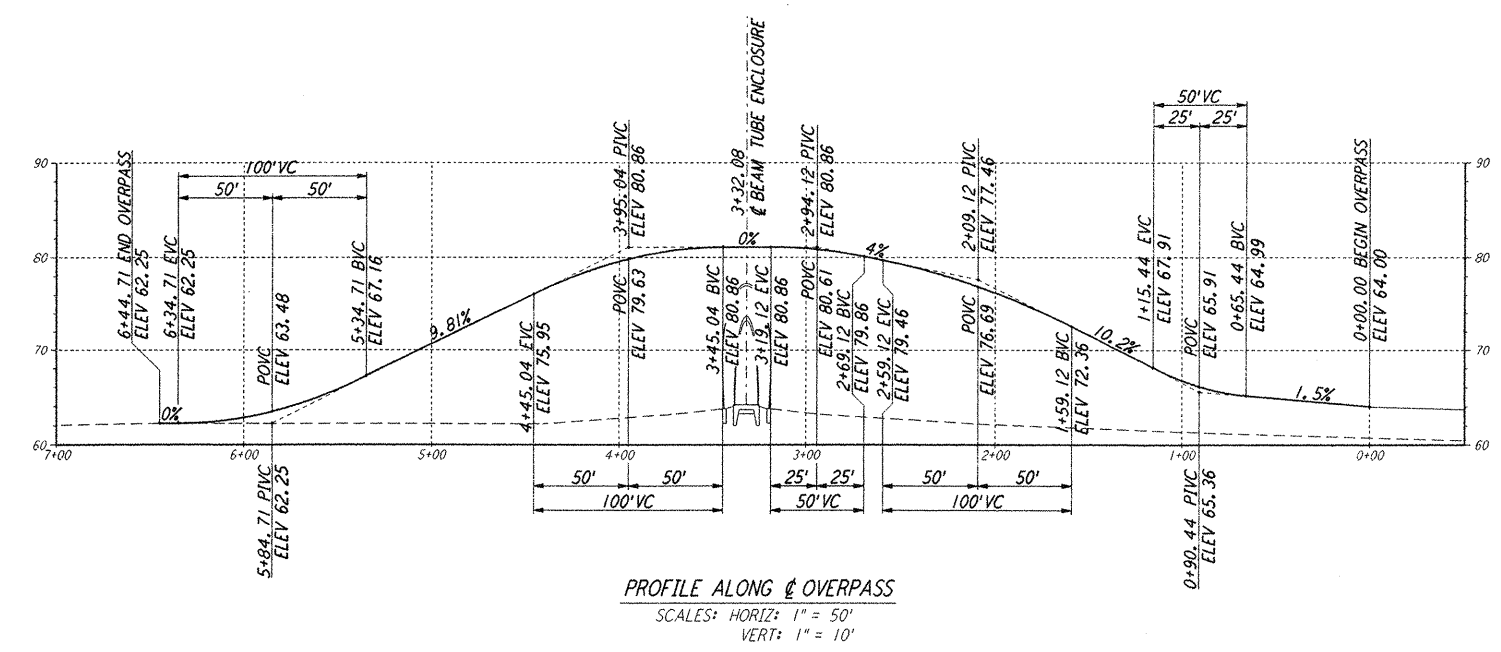


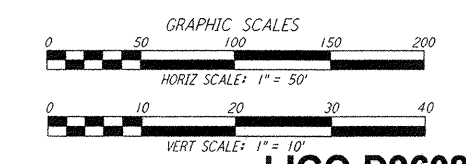
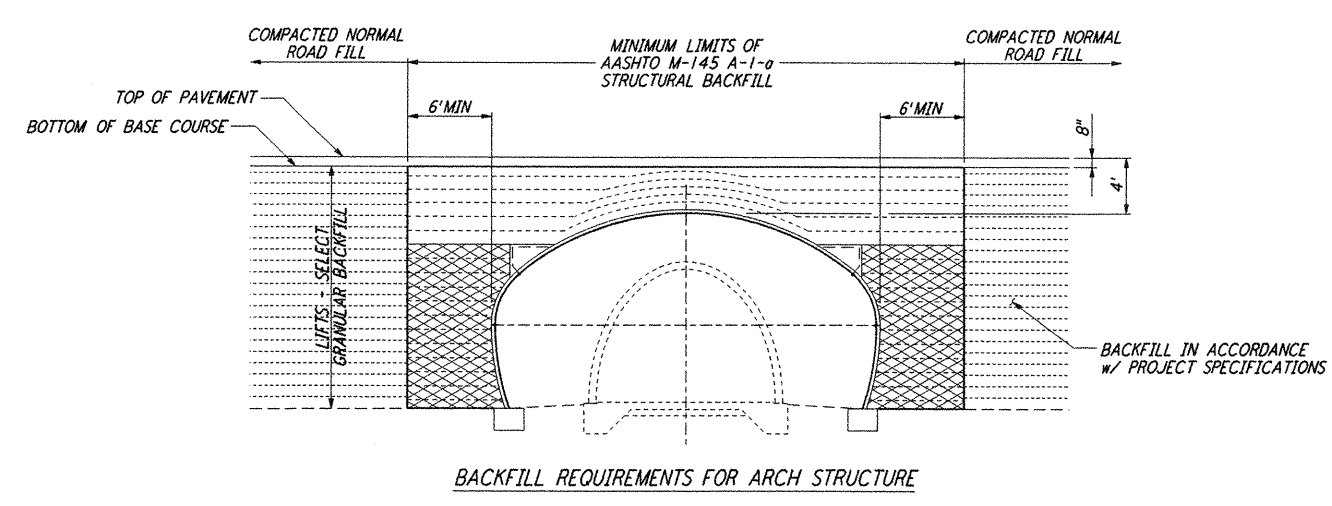
**NOTES:**  
 1. SEE SHEET LA-C-002 FOR GENERAL NOTES, LEGEND AND ABBREVIATIONS.  
 2. SEE SHEET LA-C-005 FOR OVERPASS CURVE DATA.  
 3. BEAM GUARDRAIL SHALL BE "M-BEAM" WITH WOOD OR STEEL POST ASSEMBLY IN ACCORDANCE WITH LOUISIANA STATE DEPARTMENT OF TRANSPORTATION AND DEVELOPMENT STANDARD PLANS.



**OVERPASS**  
 NOT TO SCALE  
 REF: LA-C-005, LA-C-006, LA-C-007

**NOTES: (STEEL LONG SPAN STRUCTURES)**

- THE LONG SPAN STEEL STRUCTURAL PLATE STRUCTURE, CONFORMING TO THE DIMENSIONS SHOWN ON THE PLANS AND SPECIFICATIONS, SHALL BE DESIGNED AND INSTALLED BY THE CONTRACTOR AT THE LOCATION DESIGNATED. THE DESIGN AND INSTALLATION SHALL CONFORM TO AASHTO STANDARD SPECIFICATIONS FOR HIGHWAY BRIDGES, DIVISION I, "SOIL-CORROGATED METAL STRUCTURE INTERACTION SYSTEMS"; SECTION 12.7, "LONG SPAN STRUCTURAL PLATE STRUCTURES"; AND DIVISION II, SECTION 26, "METAL CULVERTS" AND DIVISION II, SECTION B, "CONCRETE STRUCTURES". THE DESIGN SHALL BE FOR STANDARD H20 LOADING WITH CONSIDERATION FOR CORROSION AND DURABILITY INCLUDED.
- THE GALVANIZED STEEL STRUCTURAL PLATE SHALL HAVE 6" x 2" CORRUGATIONS AND SHALL BE 8 GAGE MINIMUM THICKNESS. THE PLATES SHALL BE MANUFACTURED IN CONFORMANCE WITH AASHTO SPECIFICATION M 167. BOLTS AND NUTS SHALL MEET THE PROVISIONS OF ASTM A 449 AND ASTM A 563, GRADE C, RESPECTIVELY, AND SHALL BE GALVANIZED IN ACCORDANCE WITH THE REQUIREMENTS OF ASTM A 153, CLASS C. THE STEEL ANCHOR BOLTS SHALL CONFORM TO ASTM 307, GRADE A.
- LONGITUDINAL STIFFENERS SHALL BE LOCATED AT THE RADIUS TRANSITION AT THE ENDS OF THE TOP ARC. THE THRUST BEAMS SHALL CONSIST OF REINFORCED CONCRETE CONFORMING TO DIVISION II, SECTION B, CLASS B OF THE AASHTO STANDARD SPECIFICATIONS FOR HIGHWAY BRIDGES HAVING A MINIMUM COMPRESSION STRENGTH OF 2400 PSI. REINFORCING STEEL SHALL CONFORM TO ASTM A 615, GRADE 40, HAVING A MINIMUM YIELD STRENGTH OF 40,000 PSI. THRUST BEAMS SHALL BE FORMED AND POURED CONFORMING TO THE PLAN DIMENSIONS WHEN THE BACKFILL REACHES THE BOTTOM ELEVATION OF THE THRUST BEAMS.
- THE LONG SPAN STRUCTURE SHALL BE DESIGNED IN ACCORDANCE WITH THE LATEST AASHTO DESIGN CRITERIA AND SHALL BE REQUIRED TO INCORPORATE THE USE OF CONTINUOUS LONGITUDINAL STRUCTURAL STIFFENERS (CONCRETE THRUST BEAMS). THE MATERIAL SUPPLIER SHALL BE A QUALIFIED MANUFACTURER OF STEEL STRUCTURAL PLATE AND LONG SPAN STRUCTURES WITH A MINIMUM OF 50 SUCCESSFUL INSTALLATIONS. THE FOUNDATION, STRUCTURAL BACKFILL AND END TREATMENT SHALL BE AS REQUIRED HEREIN AND DETAILED ON THE PLANS.
- THE STRUCTURE SHALL BE ERECTED IN STRICT ACCORDANCE WITH THE MANUFACTURER'S INSTRUCTIONS AND TO THE DESIGN SHAPE SHOWN ON THE PLANS. PLATES SHALL BE ASSEMBLED ACCORDING TO PLATE ASSEMBLY DRAWINGS SUPPLIED BY THE MANUFACTURER.
- BACKFILL SHALL BE IN ACCORDANCE WITH AASHTO SPECIFICATION M-145, GRADE A-1-a, AND COMPACTED PER MANUFACTURER'S RECOMMENDATIONS.
- THE MANUFACTURER SHALL SUPPLY A QUALIFIED REPRESENTATIVE TO MONITOR THE INSTALLATION AND BACKFILLING OF THE STRUCTURE.
- APPROPRIATE LIGHT WEIGHT EQUIPMENT SHALL BE USED TO FILL AND COMPACT AROUND STRUCTURE IN ACCORDANCE WITH MANUFACTURER'S RECOMMENDATIONS.
- THE PREVIOUS ROUGH GRADING CONTRACTOR HAS COMPACTED THE FILL TO 96% OF MAXIMUM DRY DENSITY AS MEASURED BY ASTM D-1557. THE GEOTECHNICAL ENGINEER HAS ESTIMATED AN ALLOWABLE BEARING PRESSURE OF 2000 PSI FOR COMPACTED FILL SOILS.
- CONTRACTOR SHALL SUBMIT DESIGN FOR REVIEW PRIOR TO CONSTRUCTION OF ARCH STRUCTURE.
- THE LONG SPAN STEEL STRUCTURE AND FOUNDATION SHALL BE DESIGNED BY A LICENSED ENGINEER IN THE STATE OF LOUISIANA.
- THE CONTRACTOR SHALL TAKE EXTREME CARE NOT TO DAMAGE THE BEAM TUBE ENCLOSURE WHILE CONSTRUCTING THE OVERPASS. ANY DAMAGE TO BEAM TUBE ENCLOSURE DUE TO OVERPASS CONSTRUCTION SHALL BE AT CONTRACTOR'S COST.



**LIGO-D960863-01-0**

ISSUED FOR CONSTRUCTION	DRAWN	WRB	11-15-96
CHECKED	ML	11-15-96	
ENGINEER	JIB	11-15-96	
PROJ	TDM	11-15-96	
<b>AS-BUILT DRAWINGS</b>			
NO.	DATE	BY	DESCRIPTION
1	08-07-98	WRB	ISSUED FOR AS-BUILT



LASER INTERFEROMETER GRAVITATIONAL-WAVE OBSERVATORY SITE NO. 2 - LIVINGSTON, LOUISIANA		
TITLE	SCALE	PROJECT NUMBER
CIVIL GRADING SECTIONS & DETAILS SHEET 1	AS NOTED	PP150969 8094
<b>LA-C-053</b>		REVISIONS

This document and the design it covers are the property of PARSONS. They are loaned only with the borrower's expressed written agreement that they will not be reproduced, copied, loaned, exhibited, or used in any other way, except by written consent from PARSONS to the borrower.

Sun Aug 23 21:55:55 1998 C:\PLOT\OUT\QES\3-T862.dwg 53086 K:\T862.dwg 53086