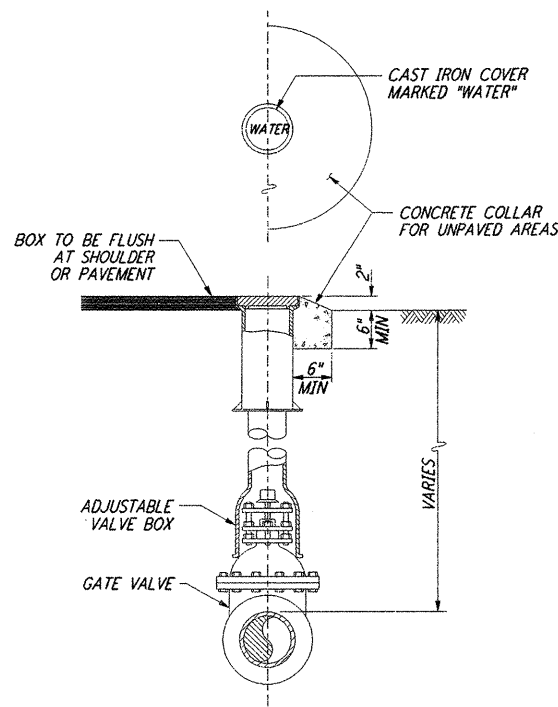
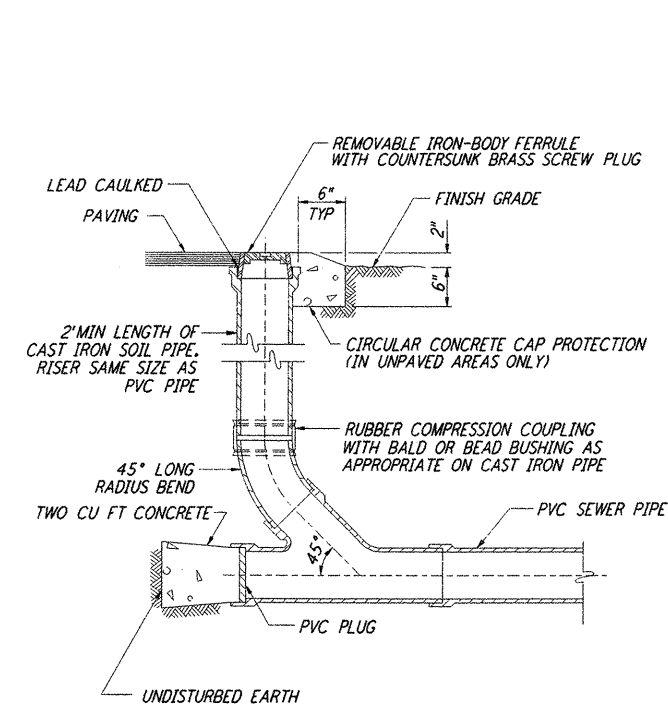


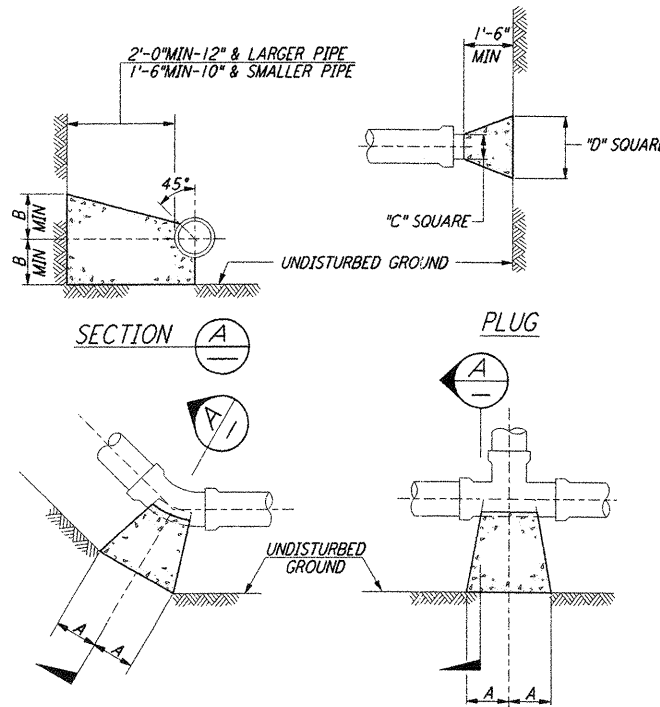
NOTES:
1. SEE SHEET LA-C-002 FOR GENERAL NOTES, LEGEND AND ABBREVIATIONS.



VALVE BOX (1) REF LA-C-055 LA-C-010
NOT TO SCALE
NOTE: VALVE SIZE 12" MAXIMUM



SANITARY SEWER CLEANOUT (2) REF LA-C-055 LA-C-009 LA-C-010
NOT TO SCALE

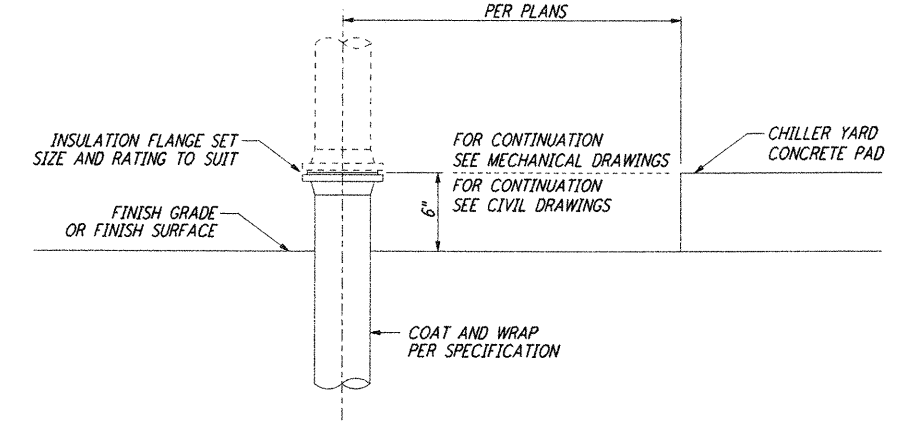


BEND TEE

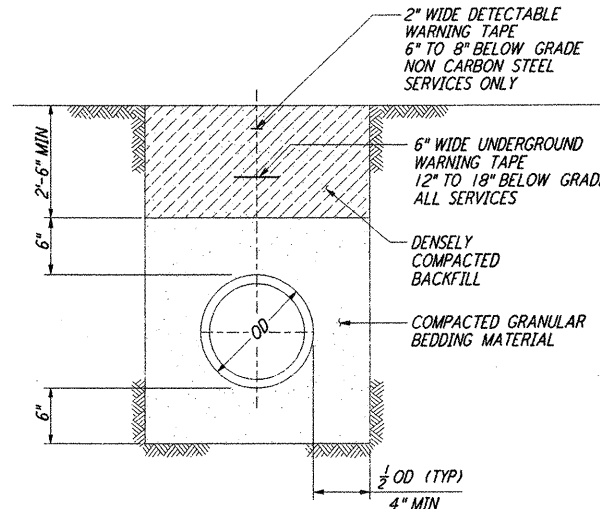
TYPE	SIZE	90° BEND		45° BEND		22 1/2° BEND		TEE			PLUG
		A	B	A	B	A	B	A	B	C	
TYPE I 4000 PSF FILL	4"	6"	8"	4"	6"	3"	6"	6"	6"	8"	13"
	6"	8"	10"	6"	8"	5"	8"	8"	8"	10"	15"
	8"	12"	12"	8"	10"	5"	9"	9"	12"	12"	20"
	10"	16"	14"	10"	12"	6"	10"	11"	14"	14"	25"
	12"	19"	16"	12"	14"	8"	11"	14"	16"	16"	30"
TYPE II 2000 PSF FILL	4"	14"	8"	7"	8"	4"	6"	8"	10"	8"	19"
	6"	16"	10"	9"	10"	6"	8"	10"	12"	10"	21"
	8"	22"	13"	12"	13"	8"	10"	13"	16"	12"	20"
	10"	26"	17"	14"	17"	10"	13"	16"	20"	14"	36"
	12"	29"	21"	16"	21"	11"	16"	18"	24"	16"	41"
14"	35"	24"	19"	24"	12"	20"	22"	27"	18"	48"	

NOTES:
1. BASED ON 150 PSI STATIC PRESSURE PLUS AWWA WATER HAMMER.
2. ALL OTHER CONDITIONS MUST BE CALCULATED.

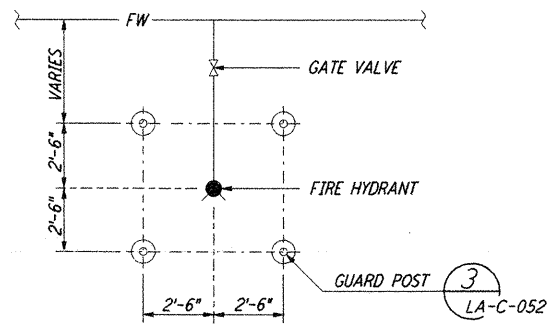
THRUST BLOCK (3) REF LA-C-055 LA-C-010
NOT TO SCALE



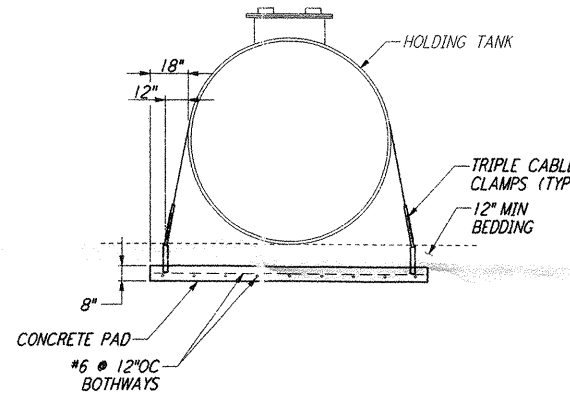
PIPE CONNECTION (4) REF LA-C-055 LA-C-009 LA-C-010 LA-C-027 LA-C-047
NOT TO SCALE



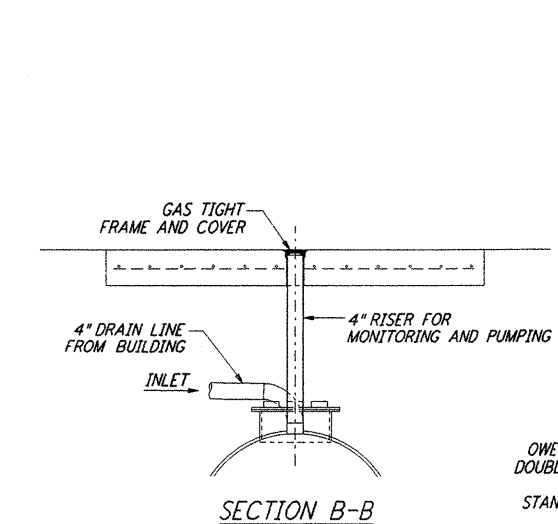
TRENCH BEDDING (5) REF LA-C-055 LA-C-009 LA-C-010 LA-C-027 LA-C-047
NOT TO SCALE



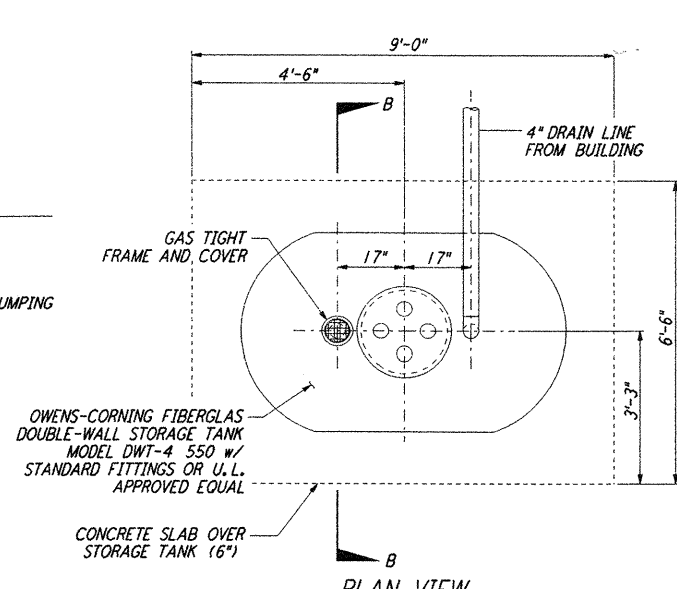
GUARD POST LOCATIONS (6) REF LA-C-055 LA-C-009 LA-C-010
NOT TO SCALE



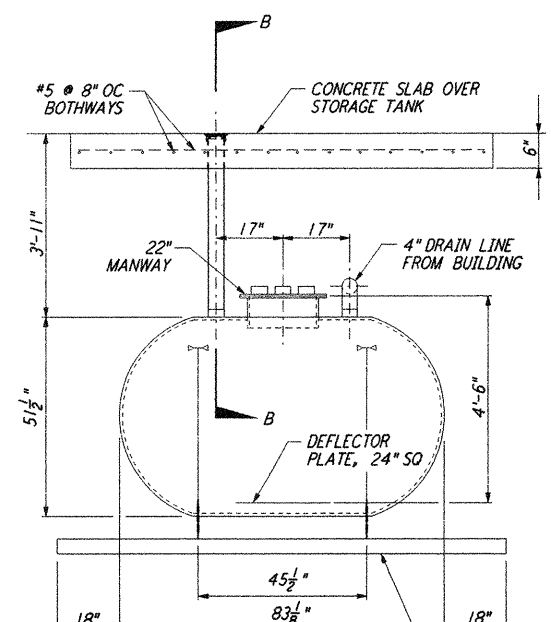
SIDE ELEVATION CONCRETE ANCHOR PAD FOR HOLDING TANKS - TYPICAL



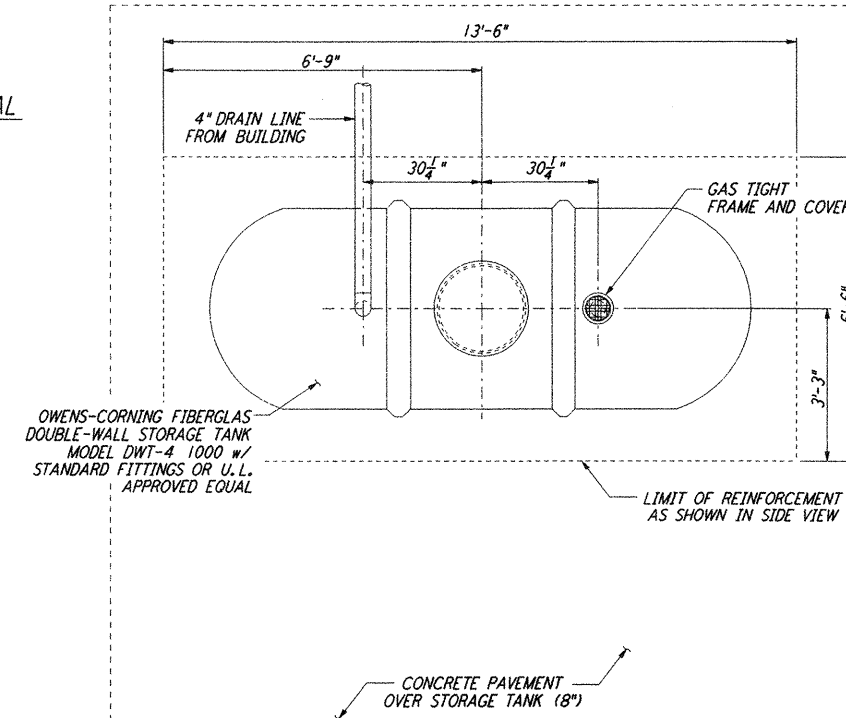
SECTION B-B



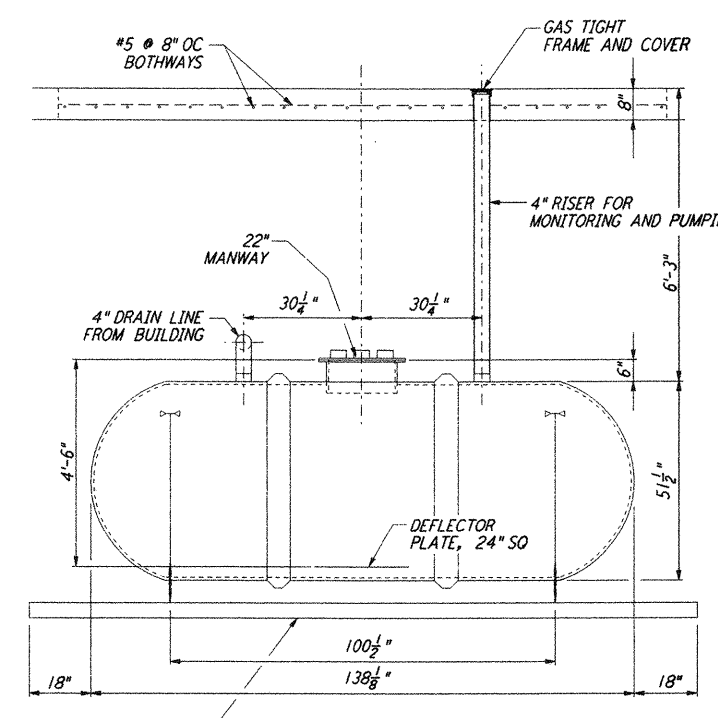
DOUBLE-WALL HOLDING TANK 500 GALLONS (7) REF LA-C-055 LA-C-027 LA-C-047
NOT TO SCALE



SIDE VIEW CONCRETE PAD



PLAN VIEW



SIDE VIEW CONCRETE PAD

DOUBLE-WALL HOLDING TANK 1000 GALLONS (8) REF LA-C-055 LA-C-010
NOT TO SCALE

This document and the design it covers are the property of PARSONS. They are loaned only with the borrower's expressed written agreement that they will not be reproduced, copied, loaned, exhibited, or used in any other way, except by written consent from PARSONS to the borrower.

NO.	DATE	BY	ENGR	PROJ	DESCRIPTION
1	08-07-98	WRB	CMK	WJW	ISSUED FOR AS-BUILT

ISSUED FOR CONSTRUCTION		
DRAWN	WRB	11-15-96
CHECKED	ML	11-15-96
ENGINEER	JB	11-15-96
PROJ	TDM	11-15-96

AS-BUILT DRAWINGS

PARSONS
100 WEST WALNUT STREET
PASADENA, CALIFORNIA

LIGO
CALIFORNIA INSTITUTE OF TECHNOLOGY
MASSACHUSETTS INSTITUTE OF TECHNOLOGY

LASER INTERFEROMETER
GRAVITATIONAL-WAVE OBSERVATORY
SITE NO.2 - LIVINGSTON, LOUISIANA

CIVIL UTILITY DETAILS

AS NOTED PPI 150969 8094

LA-C-055