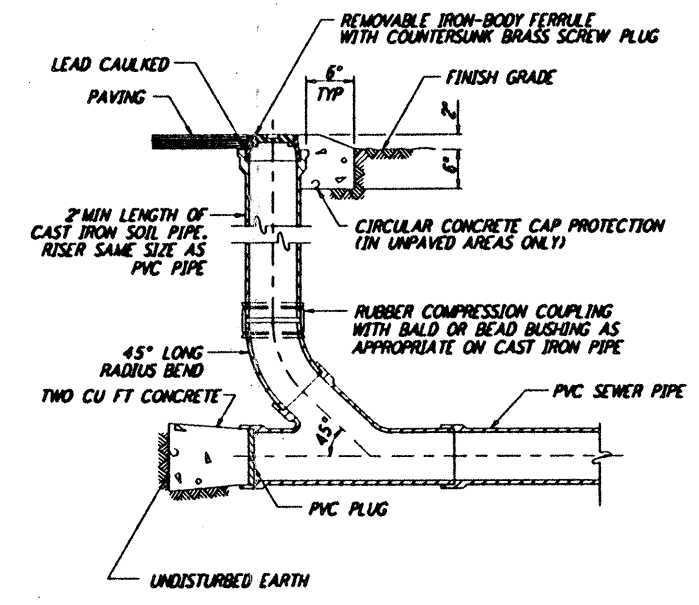
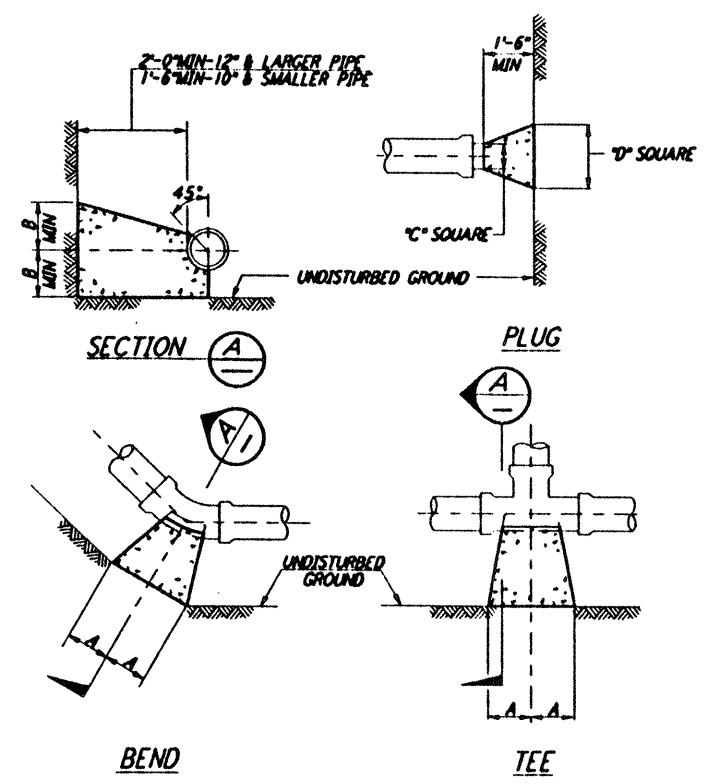


VALVE BOX (1) REF LA-C-055 LA-C-009 LA-C-010
 NOT TO SCALE
 NOTE: VALVE SIZE 12" MAXIMUM



SANITARY SEWER CLEANOUT (2) REF LA-C-055 LA-C-009 LA-C-010
 NOT TO SCALE

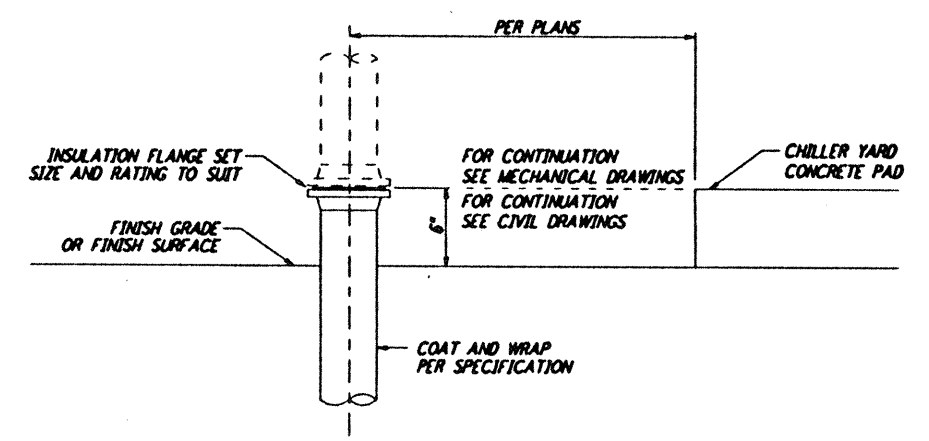


TYPE	SIZE	90° BEND		45° BEND		22 1/2° BEND		TEE		PLUG	
		A	B	A	B	A	B	A	B	C	D
PIPE / FILL 4000 PSI	4"	6"	8"	4"	6"	3"	6"	6"	6"	8"	13"
	6"	8"	10"	6"	8"	5"	8"	8"	8"	10"	15"
	8"	12"	14"	8"	10"	5"	9"	9"	12"	12"	20"
	10"	16"	18"	10"	12"	6"	10"	11"	14"	14"	25"
	12"	18"	22"	12"	14"	8"	11"	14"	16"	16"	30"
PIPE / FILL 2000 PSI	4"	14"	8"	7"	8"	4"	6"	10"	8"	19"	
	6"	16"	10"	9"	10"	6"	10"	12"	10"	21"	
	8"	22"	13"	12"	13"	8"	10"	13"	16"	20"	
	10"	26"	17"	14"	17"	10"	13"	16"	20"	24"	
	12"	29"	21"	16"	21"	11"	16"	18"	24"	16"	41"

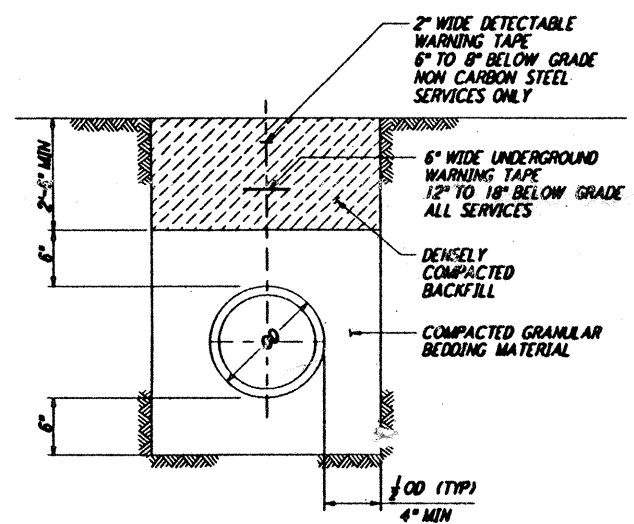
NOTES:
 1. BASED ON 150 PSI STATIC PRESSURE PLUS ANMA WATER HAMMER.
 2. ALL OTHER CONDITIONS MUST BE CALCULATED.

THRUST BLOCK (3) REF LA-C-055 LA-C-009 LA-C-010
 NOT TO SCALE

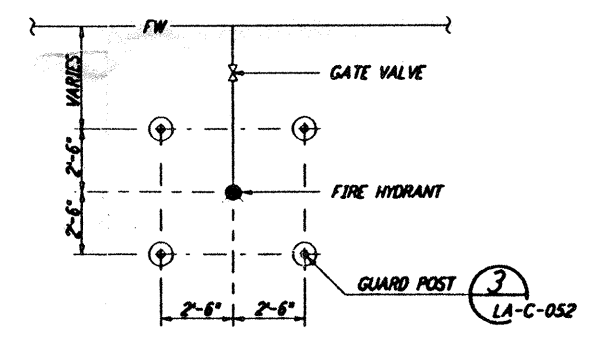
NOTES:
 1. SEE SHEET LA-C-002 FOR GENERAL NOTES, LEGEND AND ABBREVIATIONS.



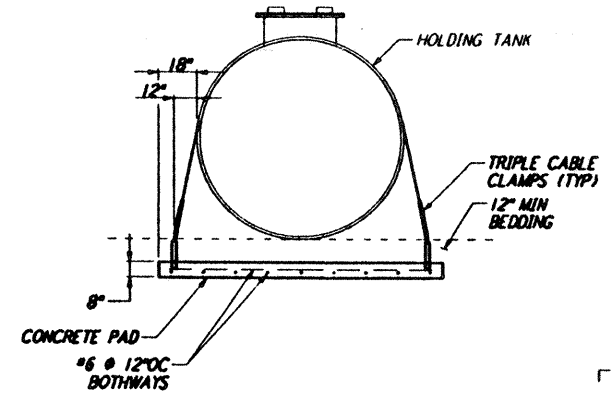
PIPE CONNECTION (4) REF LA-C-055 LA-C-009 LA-C-010 LA-C-027 LA-C-047
 (UNDERGROUND TO OVERHEAD)
 NOT TO SCALE



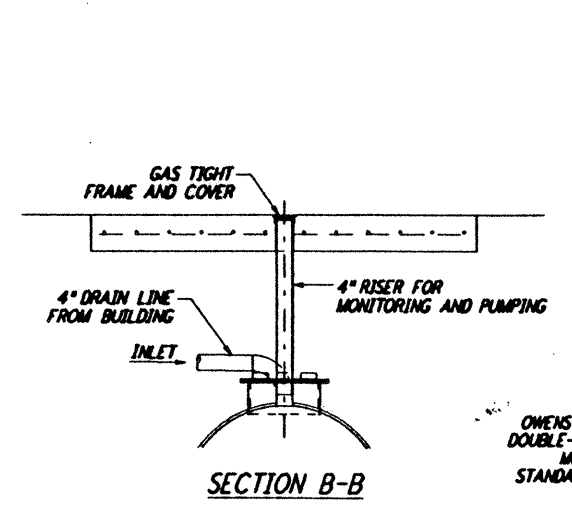
TRENCH BEDDING (5) REF LA-C-055 LA-C-009 LA-C-010 LA-C-027 LA-C-047
 NOT TO SCALE



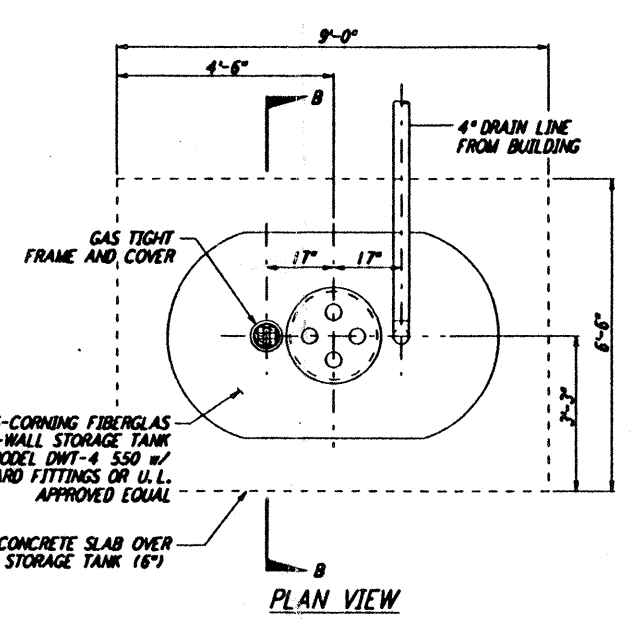
GUARD POST LOCATIONS (6) REF LA-C-055 LA-C-009 LA-C-010
 (FIRE HYDRANT)
 NOT TO SCALE



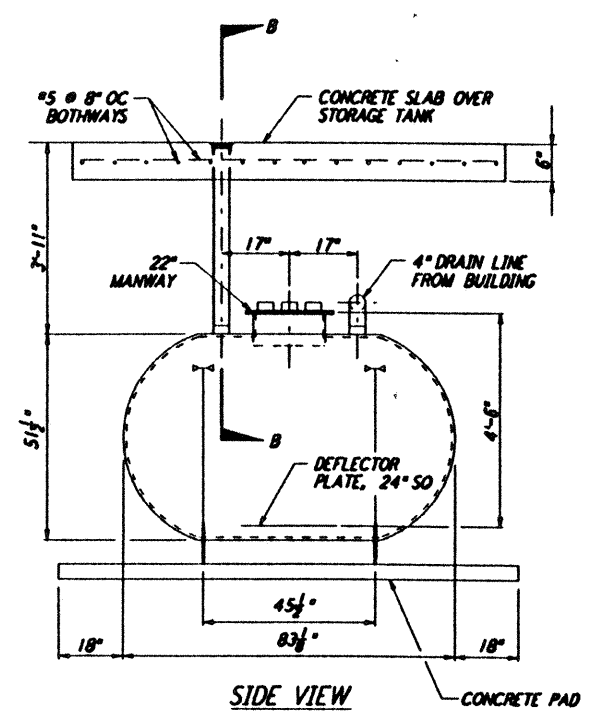
SIDE ELEVATION CONCRETE ANCHOR PAD FOR HOLDING TANKS - TYPICAL



SECTION B-B

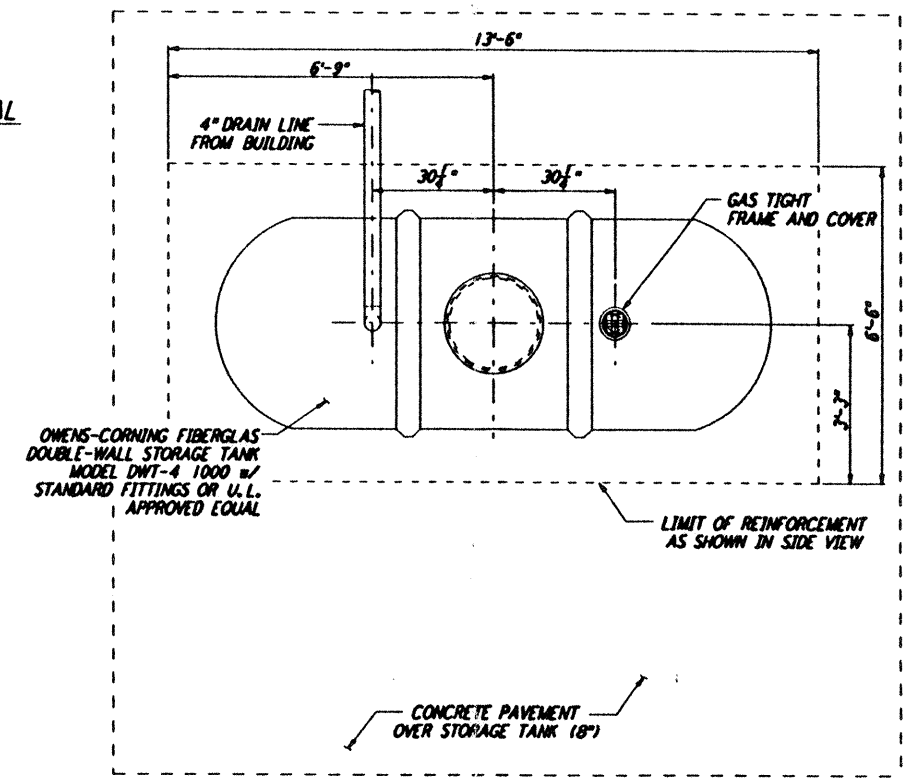


PLAN VIEW

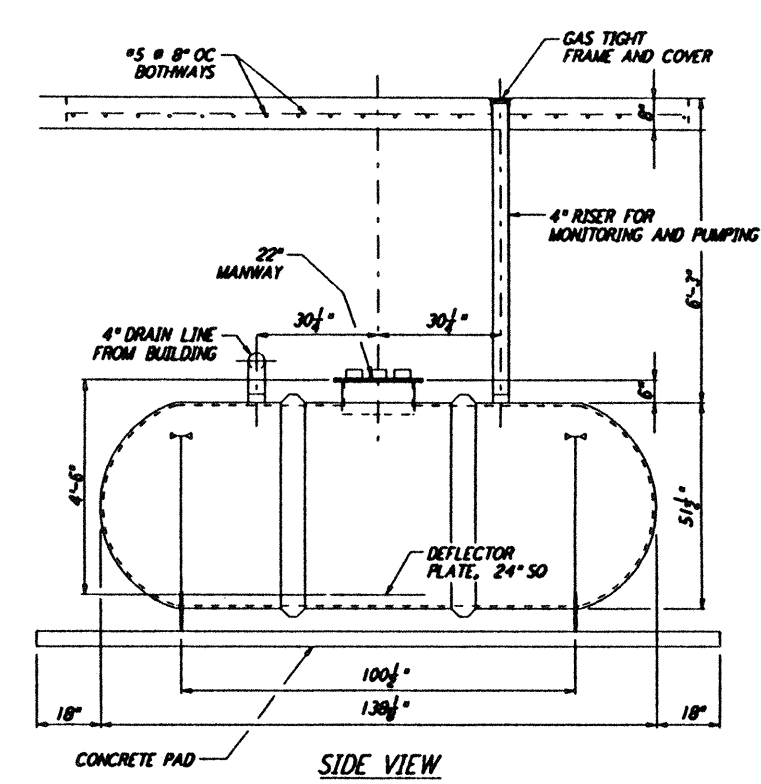


SIDE VIEW

DOUBLE-WALL HOLDING TANK 500 GALLONS (7) REF LA-C-055 LA-C-027 LA-C-047
 NOT TO SCALE



PLAN VIEW



SIDE VIEW

DOUBLE-WALL HOLDING TANK 1000 GALLONS (8) REF LA-C-055 LA-C-010
 NOT TO SCALE

NO.	DATE	BY	CHKD	ENGR	PROJ	DESCRIPTION
B	7/24/96	WRB	JML	UB	TDM	ISSUED FOR BID
A	6/14/96	WRB	JML	UB	TDM	FINAL DESIGN REVIEW

DRAWN	WRB
CHECKED	
ENGINEER	
PROJ	

PARSONS
 100 WEST WALNUT STREET
 PASADENA, CALIFORNIA

LIGO
 CALIFORNIA INSTITUTE OF TECHNOLOGY
 MASSACHUSETTS INSTITUTE OF TECHNOLOGY

LASER INTERFEROMETER
 GRAVITATIONAL-WAVE OBSERVATORY
 SITE NO. 2 - LIVINGSTON, LOUISIANA

CIVIL
 UTILITY DETAILS

AS NOTED PPI50969 8094
LA-C-055

This document and the design it covers are the property of PARSONS. They are loaned only with the borrower's expressed written agreement that they will not be reproduced, copied, loaned, exhibited, or used in any other way, except by written consent from PARSONS to the borrower.

Mon Jul 22 08:56:27 1996 s3-v18b2 J:\PLOTS\QUEUES\18B2\CE055A.PRF