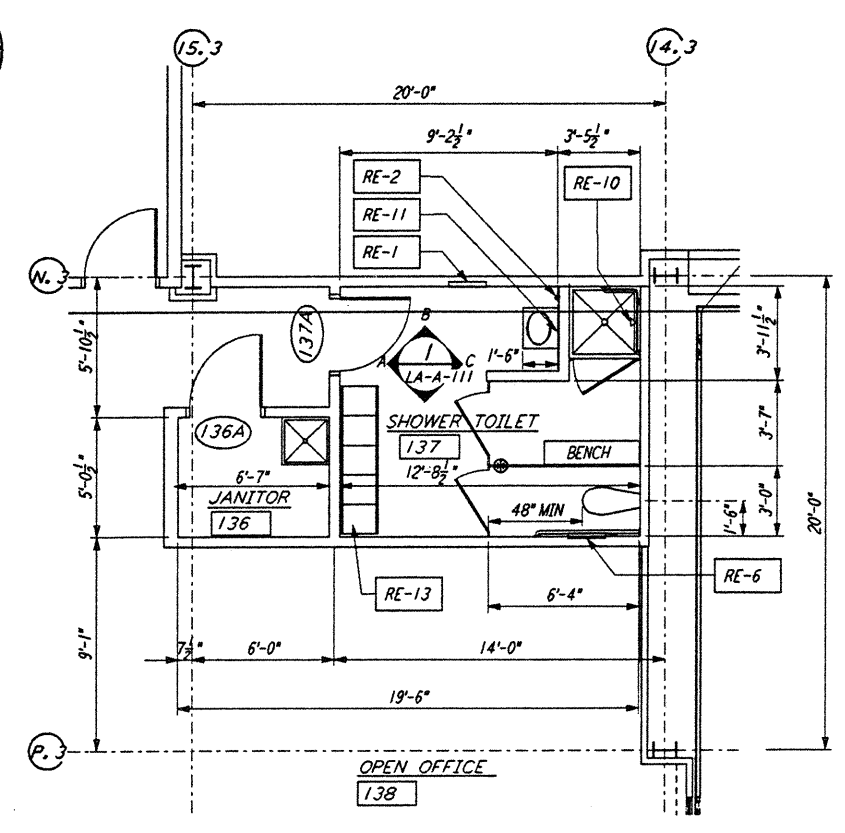
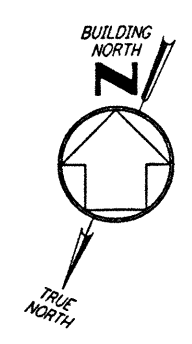
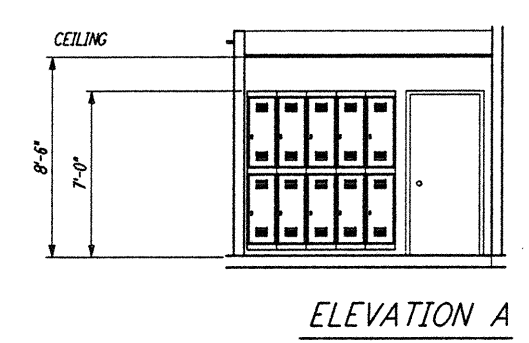


NOTE: SEE SPECIFICATIONS FOR
 ADDITIONAL INFORMATION
 AND SCHEDULES

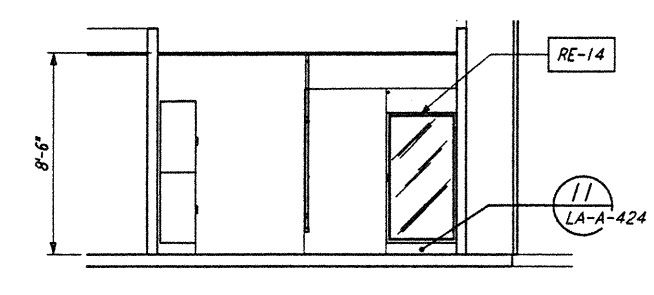


ENLARGED PLAN

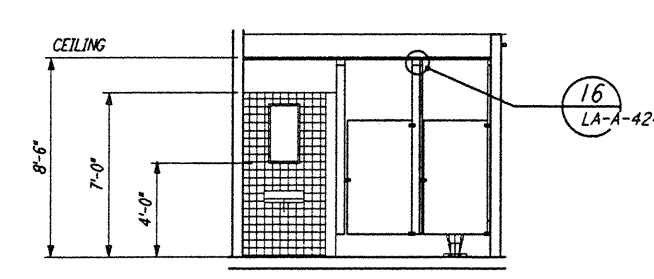
JANITOR 136 / SHOWER TOILET 137
 $\frac{1}{4}'' = 1'-0''$



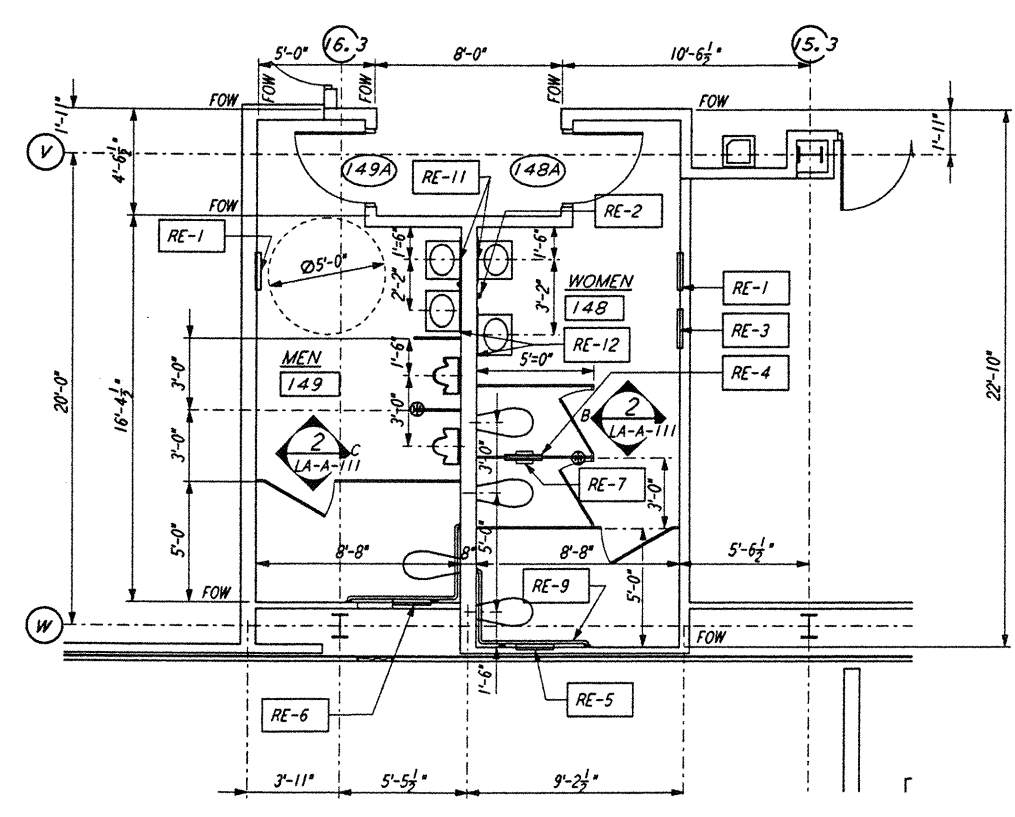
ELEVATION A



ELEVATION B

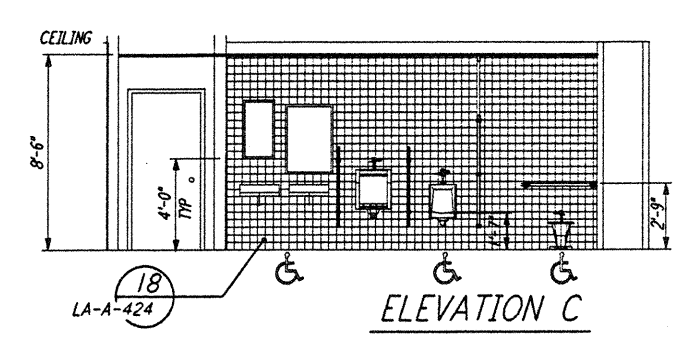


ELEVATION C

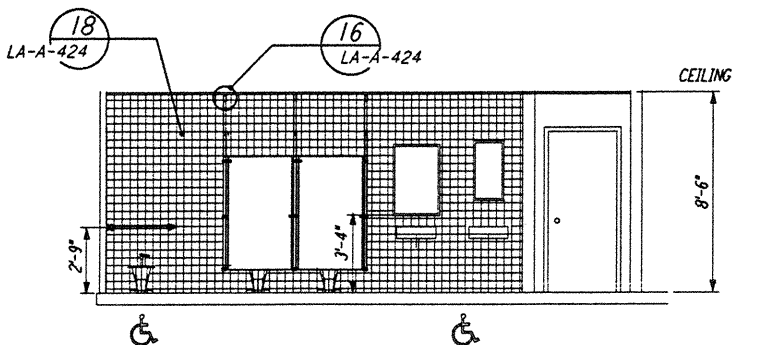


ENLARGED TOILET PLAN

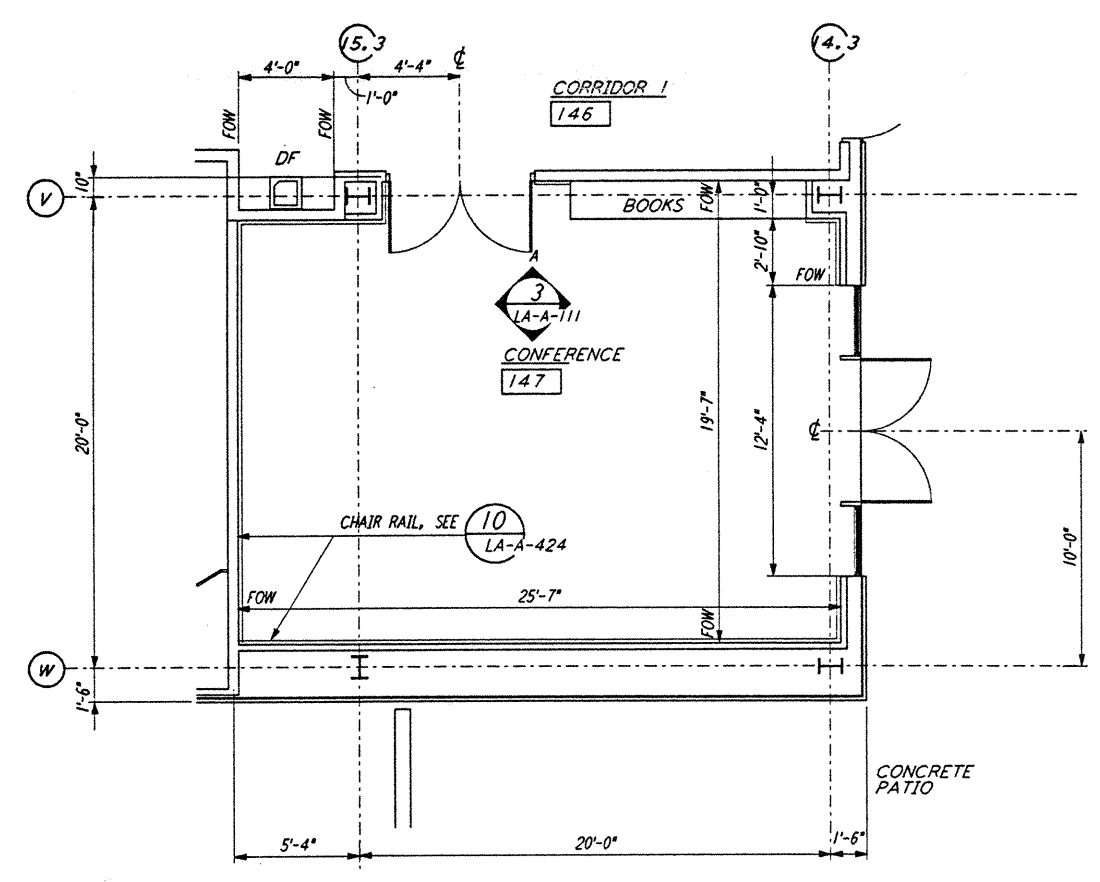
MEN 149 / WOMEN 148
 $\frac{1}{4}'' = 1'-0''$



ELEVATION C

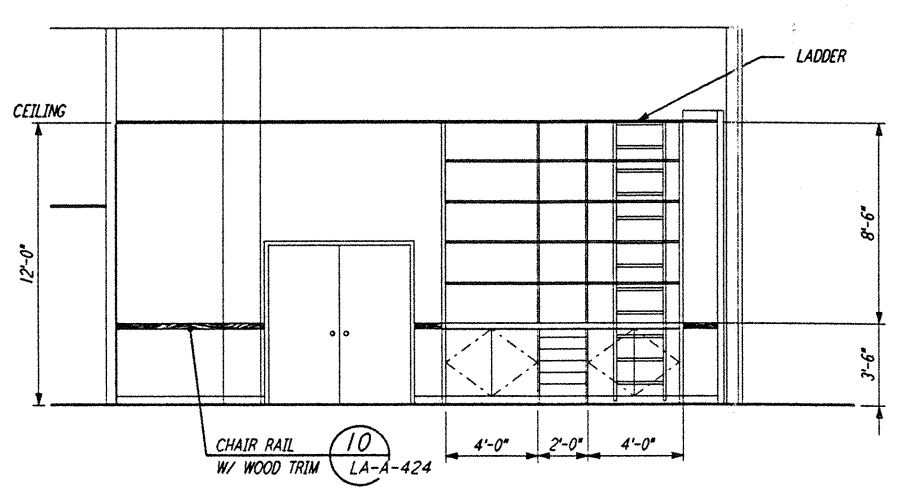


ELEVATION B

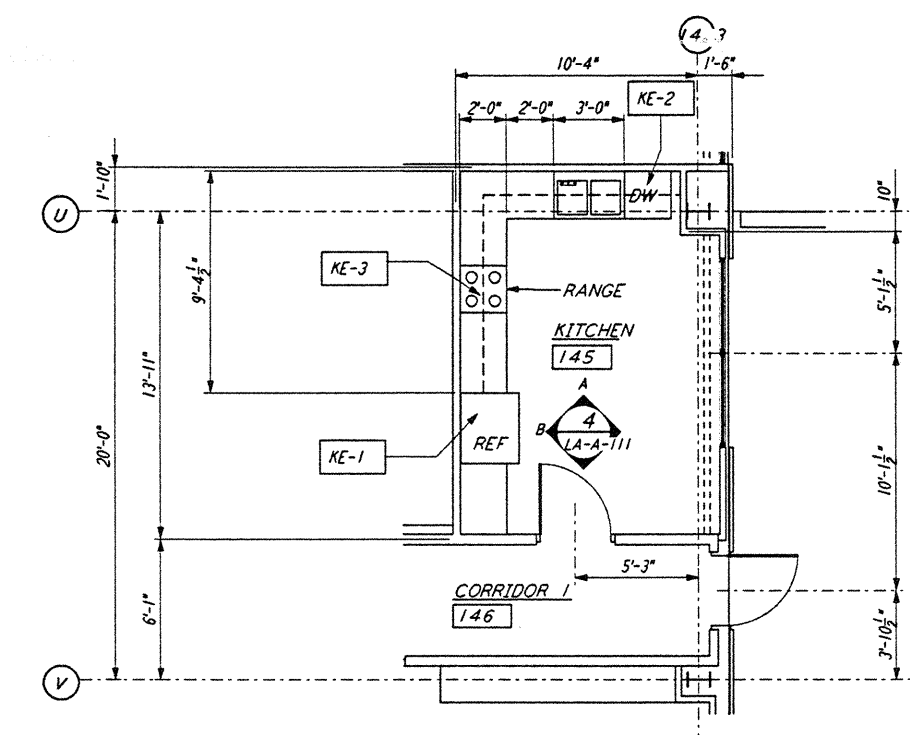


ENLARGED PLAN

CONFERENCE ROOM 147
 $\frac{1}{4}'' = 1'-0''$

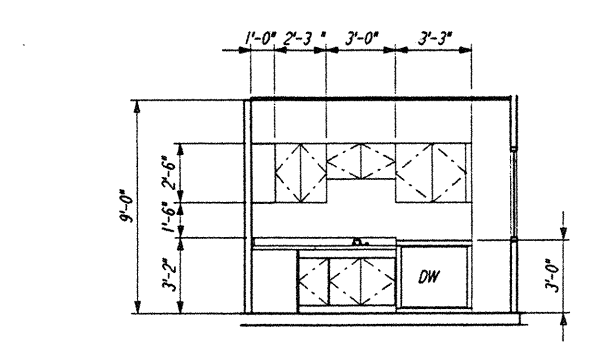


ELEVATION A

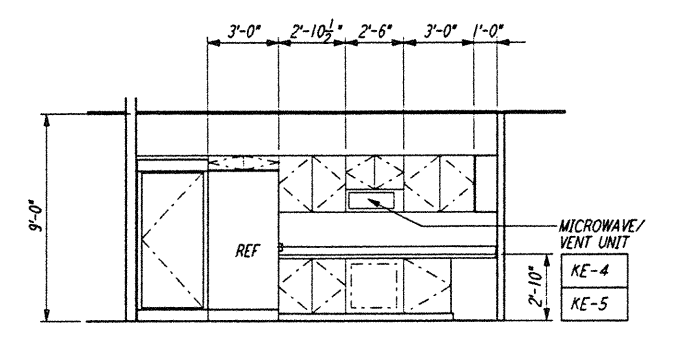


ENLARGED KITCHEN PLAN

KITCHEN PLAN 145
 $\frac{1}{4}'' = 1'-0''$



ELEVATION A



ELEVATION B

0 4 8 12 16 FT
 $\frac{1}{4}'' = 1'-0''$

LIGO-D960876-B-0

NO.	DATE	BY	CHKD	ENGR	PROJ	DESCRIPTION
B	6-14-96	CKT	BK	SF	TDM	FINAL DESIGN REVIEW
A	10/31/95	SF	SF	TDM		PRELIMINARY DESIGN REVIEW

PARSONS
 100 WEST WALNUT STREET
 PASADENA, CALIFORNIA

LIGO
 CALIFORNIA INSTITUTE OF TECHNOLOGY
 MASSACHUSETTS INSTITUTE OF TECHNOLOGY

LASER INTERFEROMETER
 GRAVITATIONAL-WAVE OBSERVATORY
 SITE NO. 2 - LIVINGSTON, LOUISIANA

ARCHITECTURAL
 CORNER STATION
 OSB ENLARGED PLANS

AS NOTED PPI50969 8094
LA-A-111

This document and the design it covers are the property of PARSONS. They are loaned only with the borrower's expressed written agreement that they will not be reproduced, copied, loaned, exhibited, or used in any other way, except by written consent from PARSONS to the borrower.

I:\LIGO\site2\or\lao111.d3z

J:\PLANS\WAVE\SVR\ENR\PHR