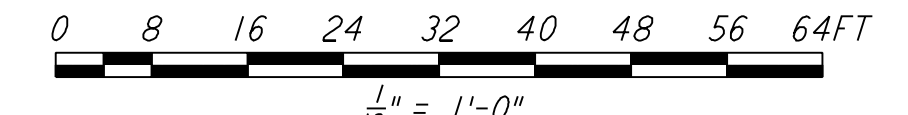
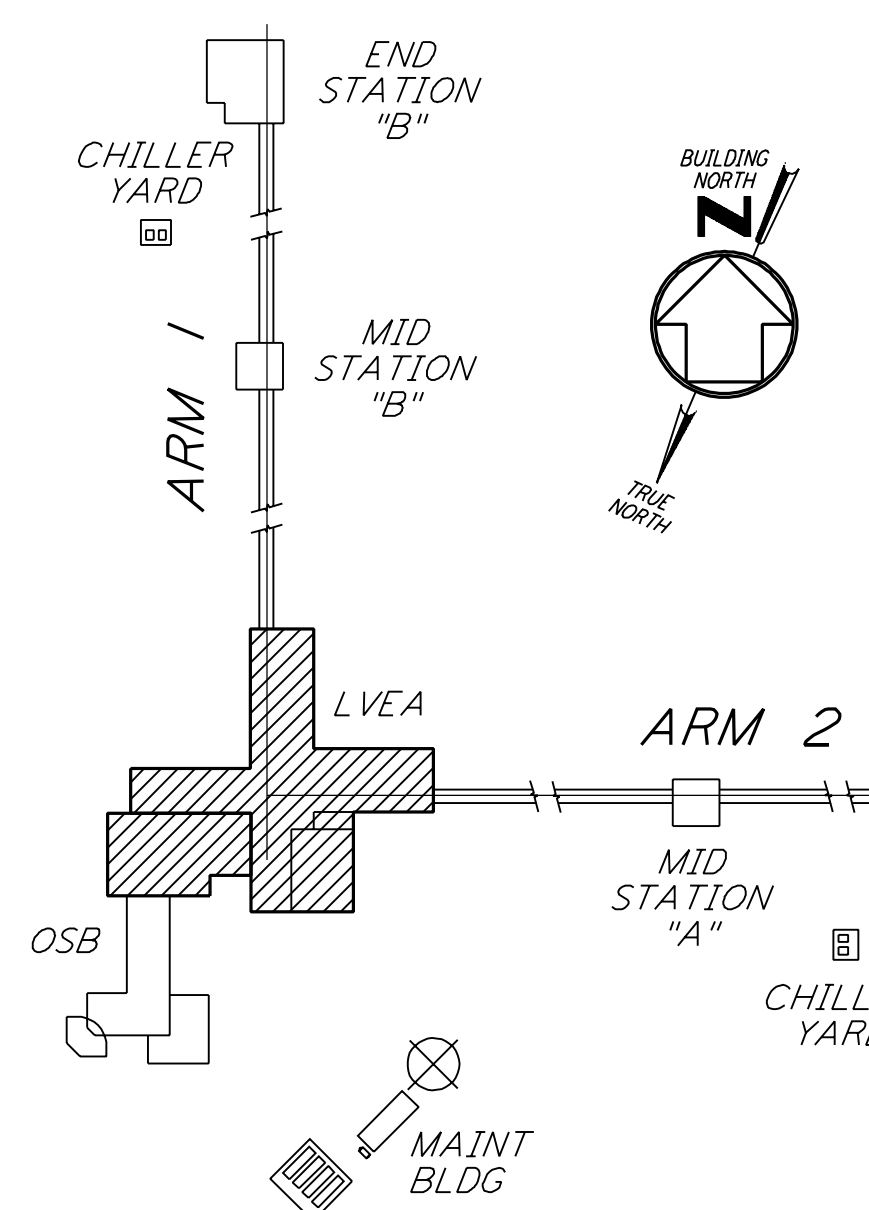


SEE SHEET
LA-A-107

SEE SHEET
LA-A-107



DATUM POINT EL +100.00 = 61.44' (LVEA)
 DATUM POINT EL +100.00 = 61.44' (OSB)



KEY PLAN
 LIGO-D960881-01-O

This document and the design it covers are the property of PARSONS. They are loaned only with the borrower's expressed written agreement that they will not be reproduced, copied, loaned, exhibited, or used in any other way, except by written consent from PARSONS to the borrower.

NO.	DATE	BY	CHKD	ENGR	PROJ	DESCRIPTION
1	08-07-98	SJM				ISSUED FOR AS-BUILT

ISSUED FOR CONSTRUCTION		
DRAWN	CKT	11-15-96
CHECKED	TB	11-15-96
ENGINEER	SF	11-15-96
PROJ	TDM	11-15-96
AS-BUILT DRAWINGS		

PARSONS
 100 WEST WALNUT STREET
 PASADENA, CALIFORNIA

LIGO
 CALIFORNIA INSTITUTE OF TECHNOLOGY
 MASSACHUSETTS INSTITUTE OF TECHNOLOGY

LASER INTERFEROMETER
 GRAVITATIONAL-WAVE OBSERVATORY
 SITE NO. 2 - LIVINGSTON, LOUISIANA

TITLE	ARCHITECTURAL CORNER STATION LVEA ROOF PLAN
SCALE	PP150969 8094
SHEET NUMBER	LA-A-131