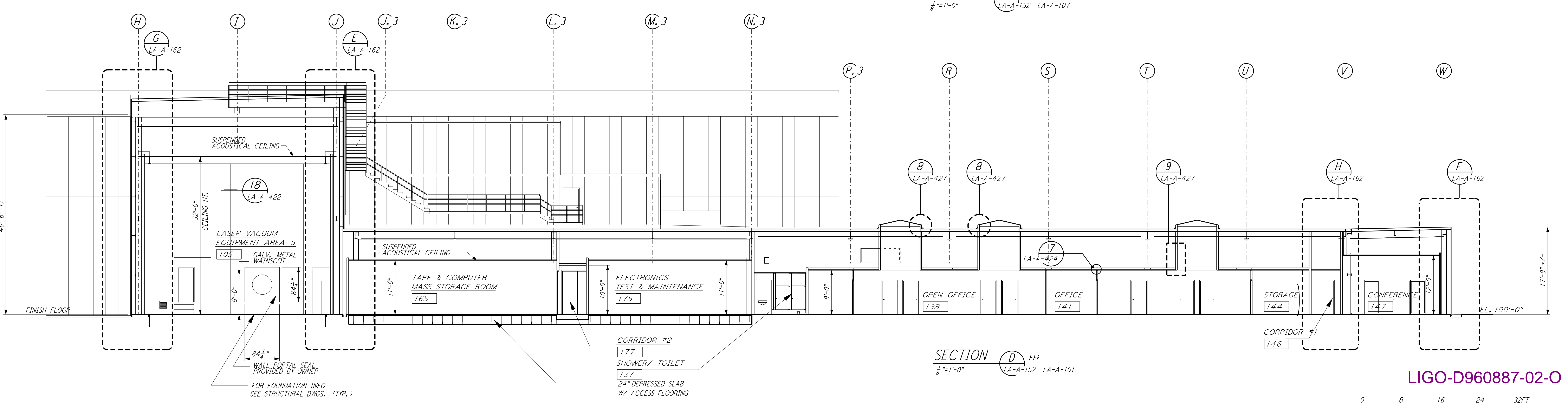
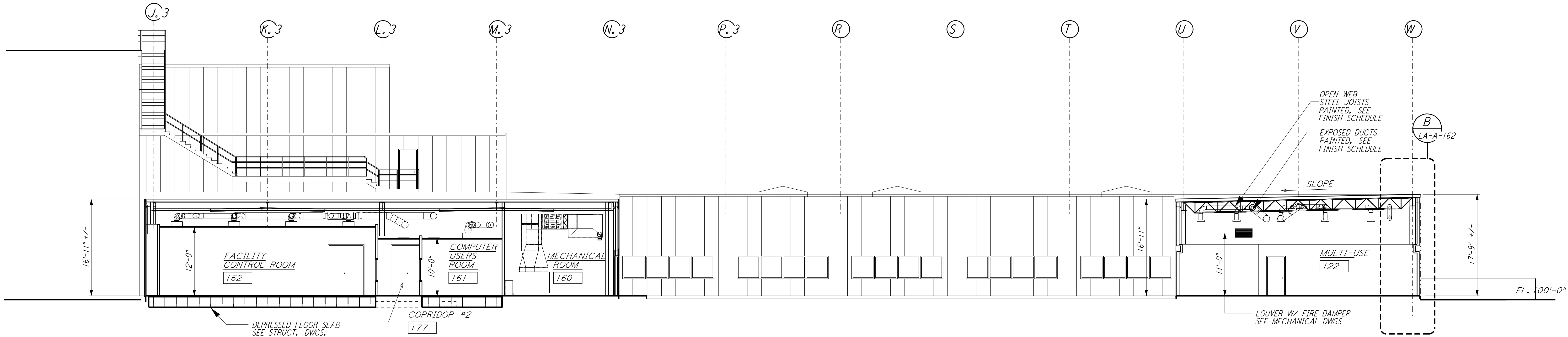
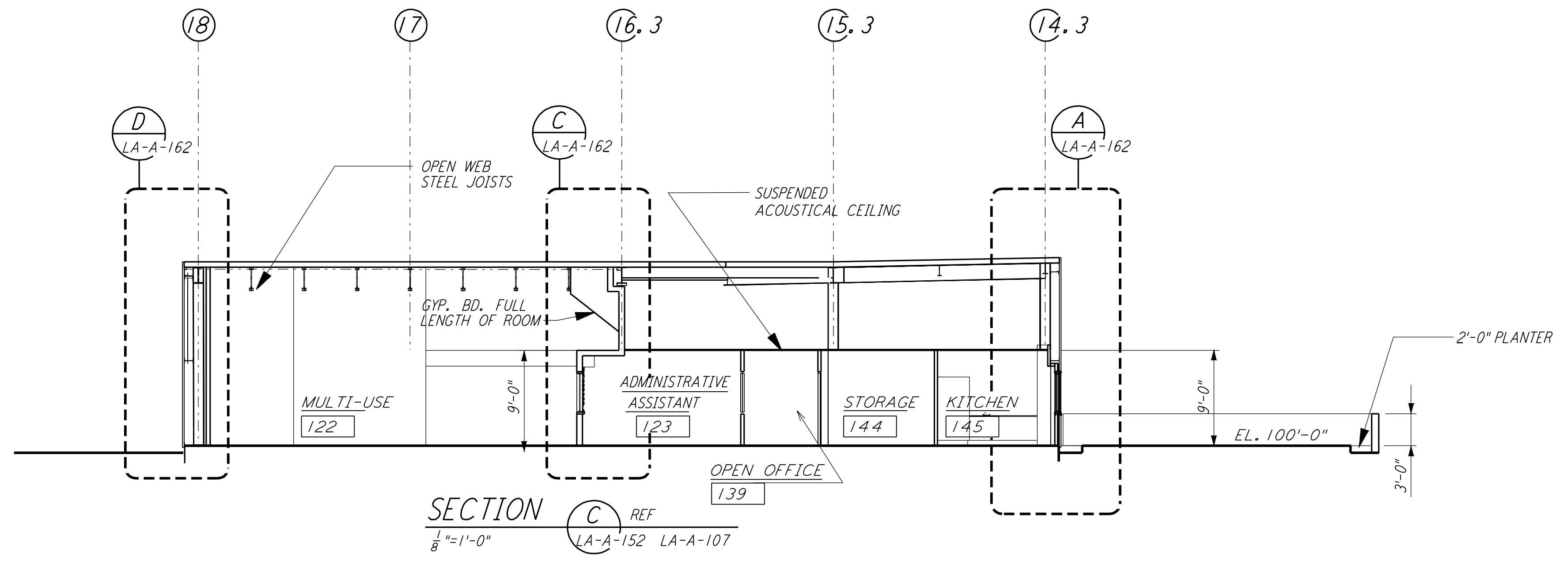
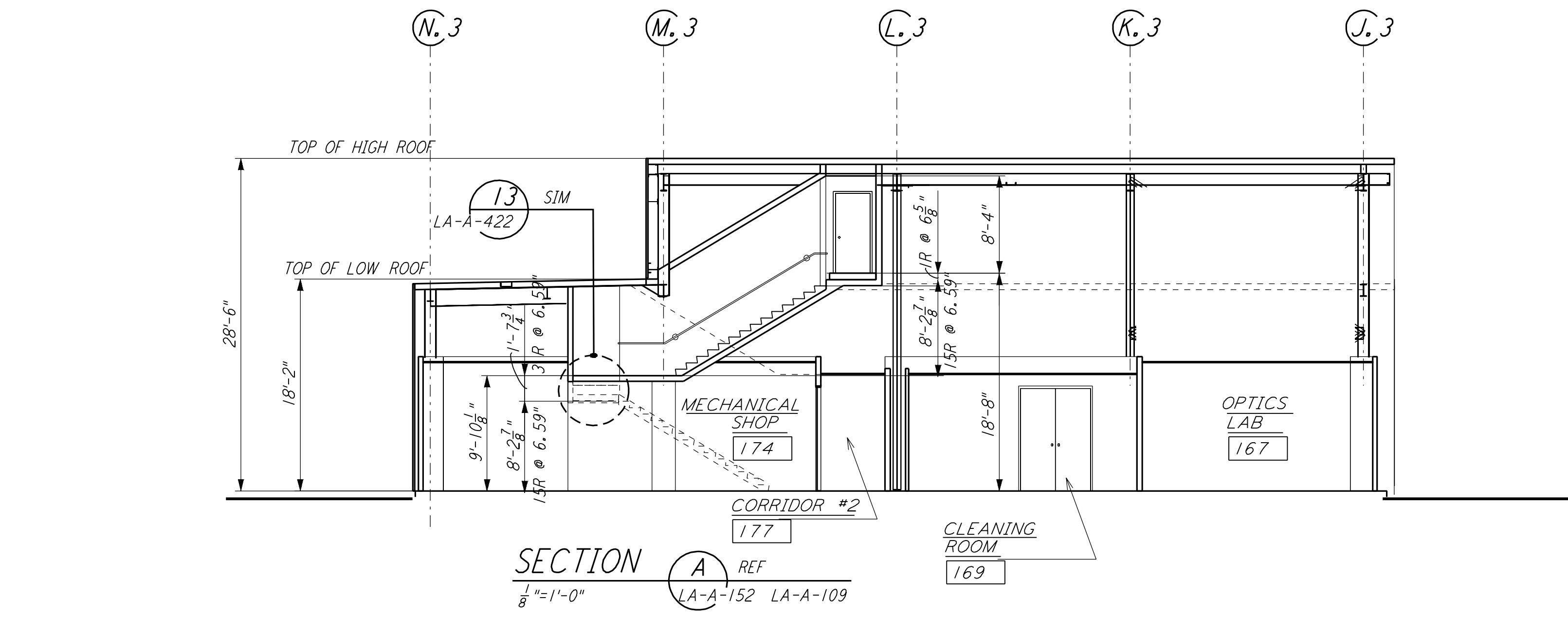
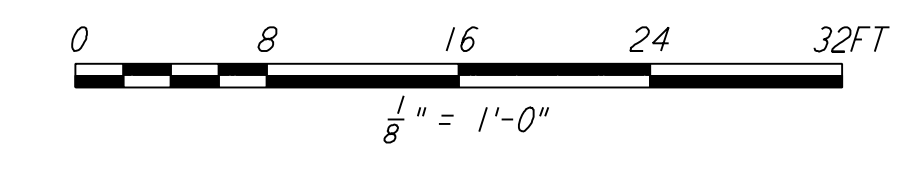


This document and the design it covers are the property of PARSONS. They are loaned only with the borrower's expressed written agreement that they will not be reproduced, copied, loaned, exhibited, or used in any other way, except by written consent from PARSONS to the borrower.



**LIGO-D960887-02-O**

DATUM POINT EL +100.00 = 61.44' (LVEA)  
 DATUM POINT EL +100.00 = 61.44' (OSB)



NO.	DATE	BY	CHKD	ENGR	PROJ	DESCRIPTION
2	08-07-98	SJM	TB	AK	TDM	ISSUED FOR AS-BUILT
1	2-28-97	CKT	TB	AK	TDM	OSB REVISION

ISSUED FOR CONSTRUCTION  
 DRAWN CKT/DS 11-15-96  
 CHECKED TB 11-15-96  
 ENGINEER SF 11-15-96  
 PROJ MDW 11-15-96

**AS-BUILT DRAWINGS**

**PARSONS**  
 100 WEST WALNUT STREET  
 PASADENA, CALIFORNIA

**LIGO**  
 CALIFORNIA INSTITUTE OF TECHNOLOGY  
 MASSACHUSETTS INSTITUTE OF TECHNOLOGY

LASER INTERFEROMETER  
 GRAVITATIONAL-WAVE OBSERVATORY  
 SITE NO. 2 - LIVINGSTON, LOUISIANA

ARCHITECTURAL  
 CORNER STATION  
 LVEA & OSB SECTIONS  
 SHEET 2

AS NOTED PP150969 8094  
**LA-A-152**