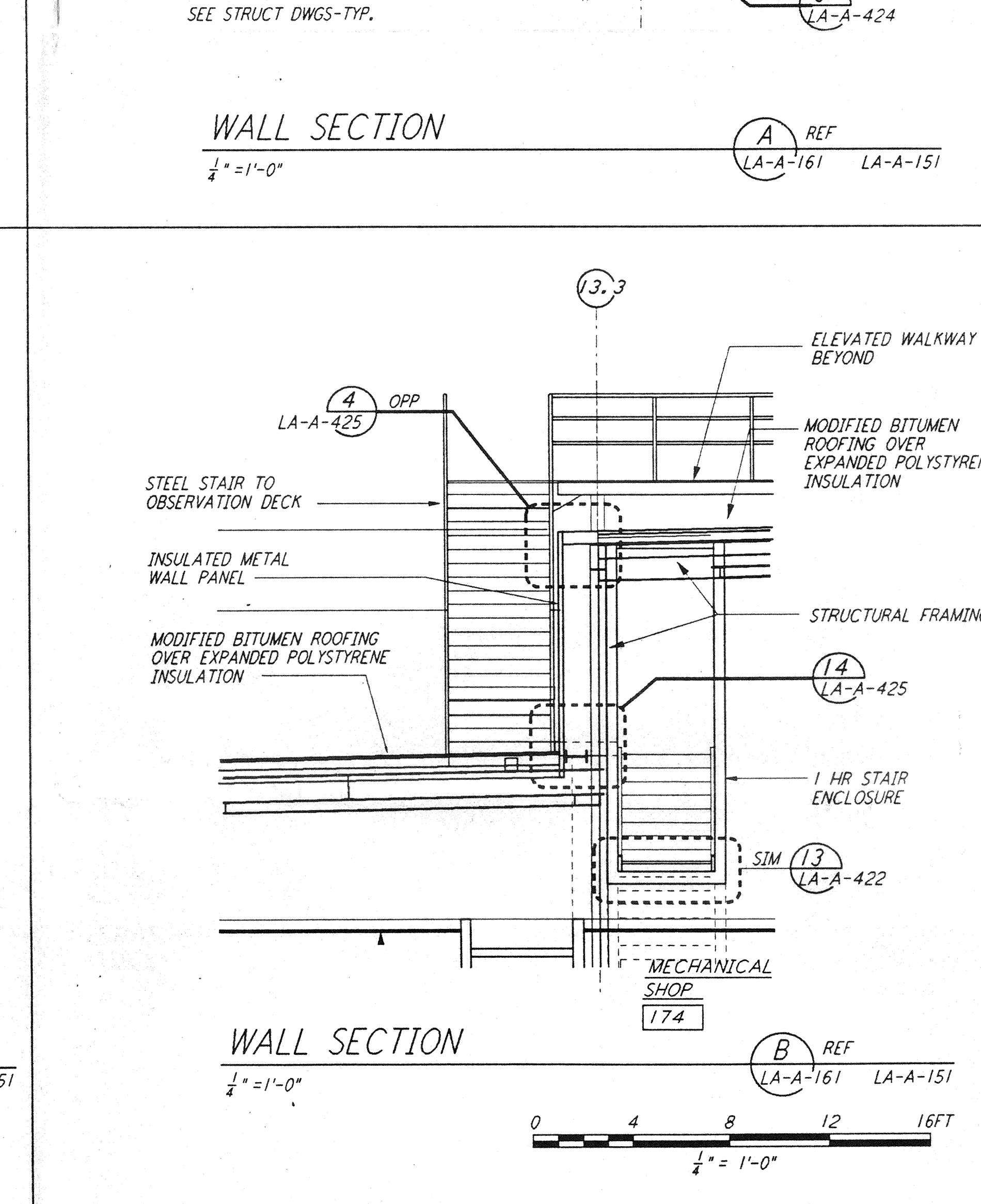
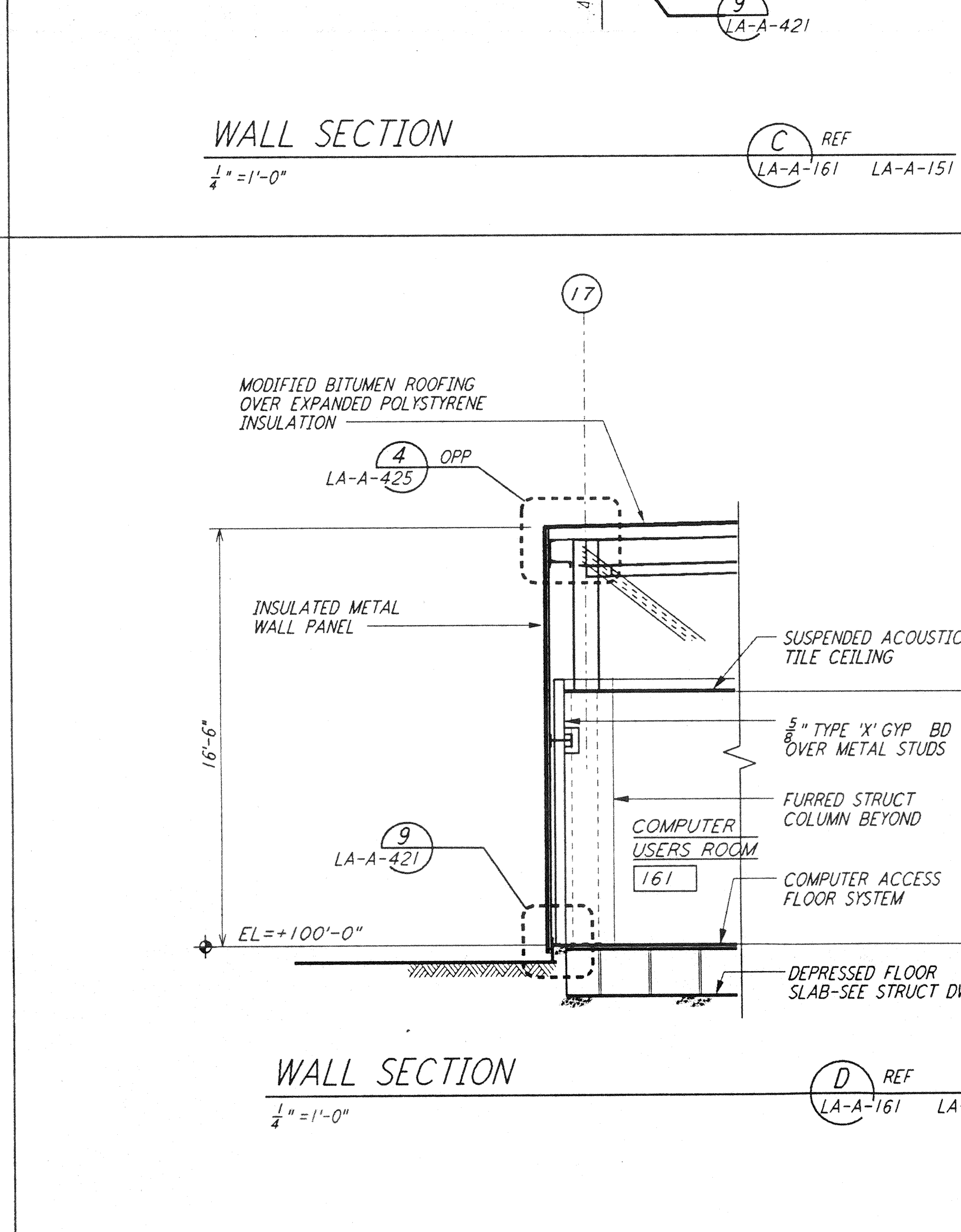
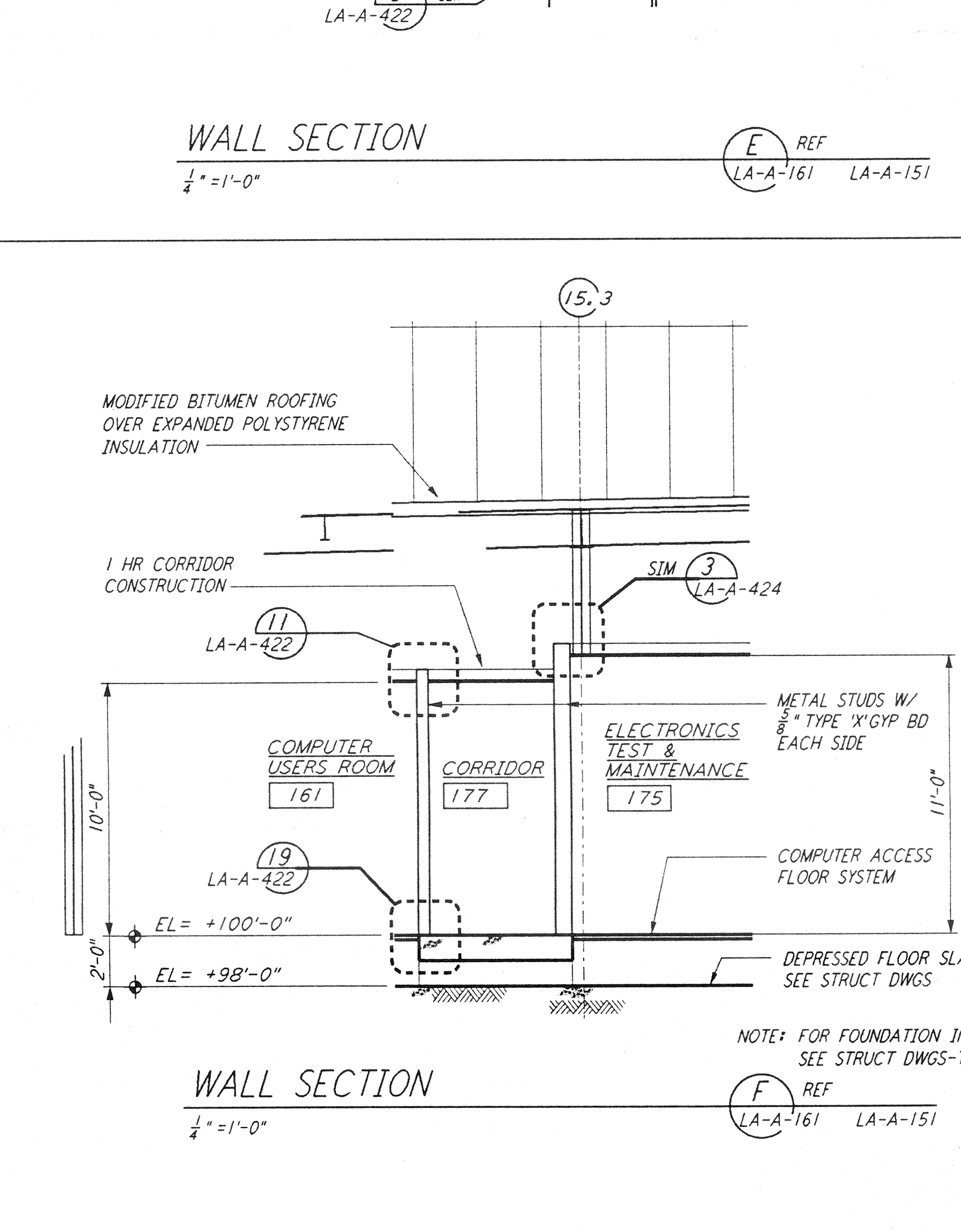
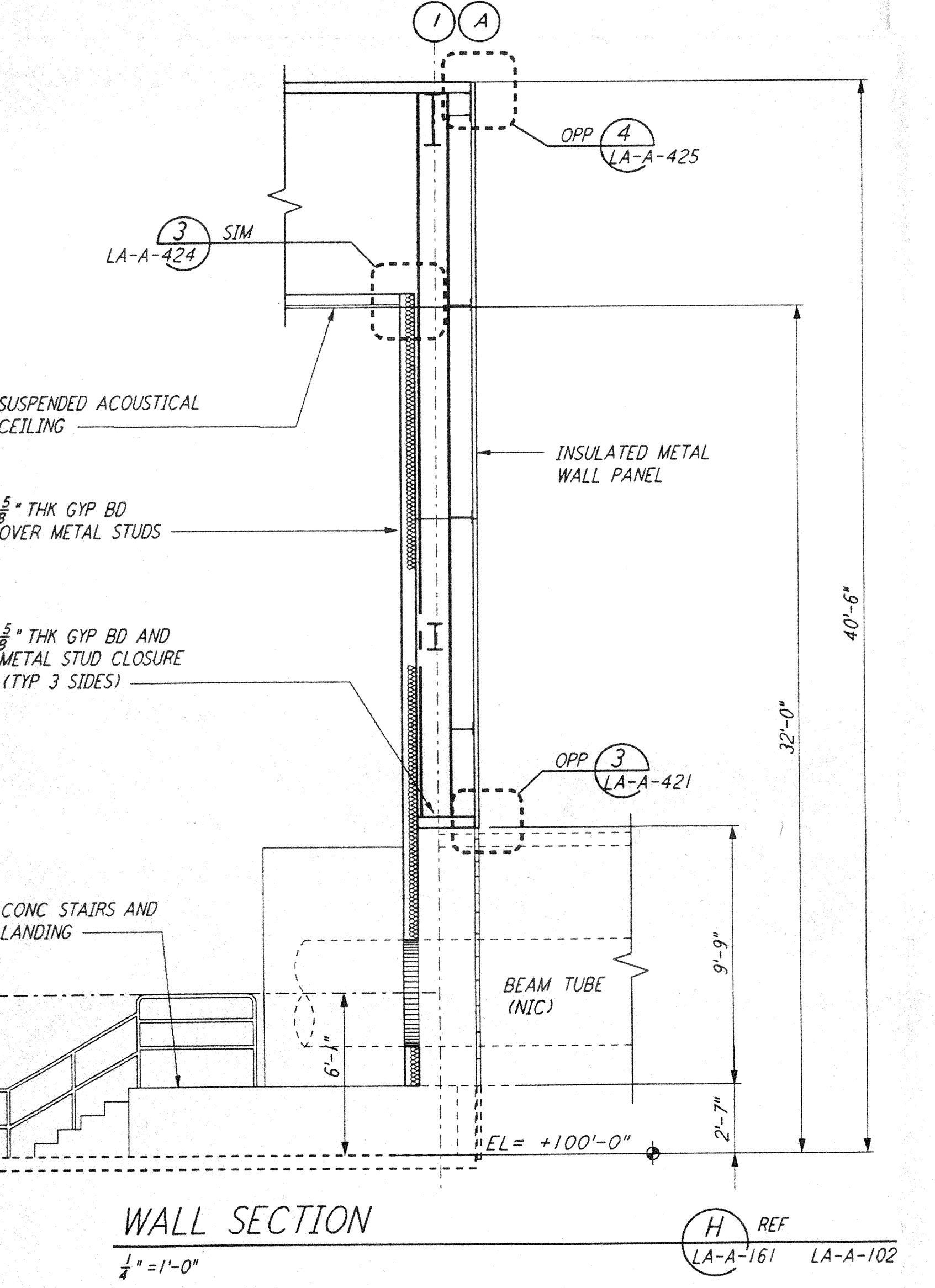
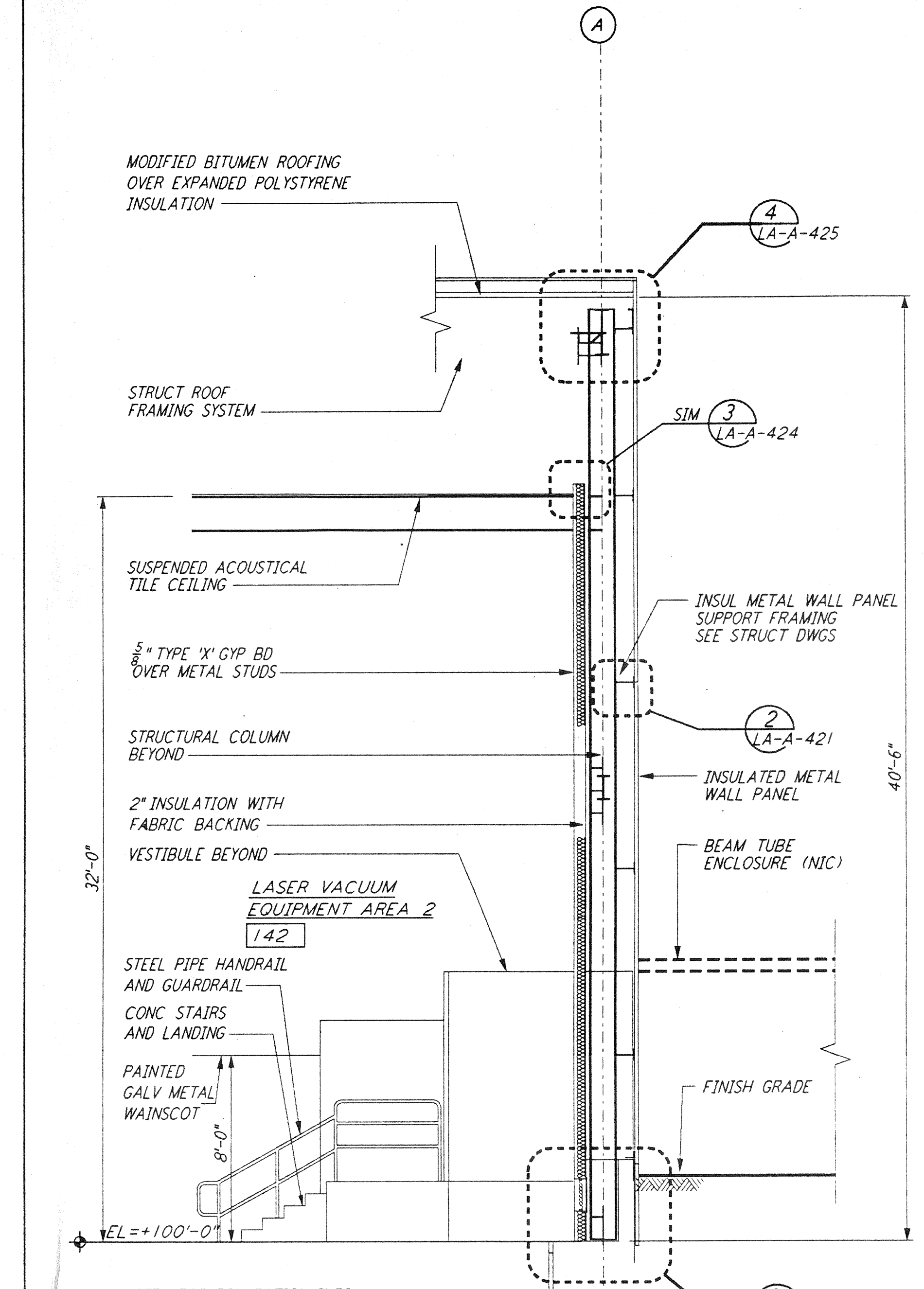
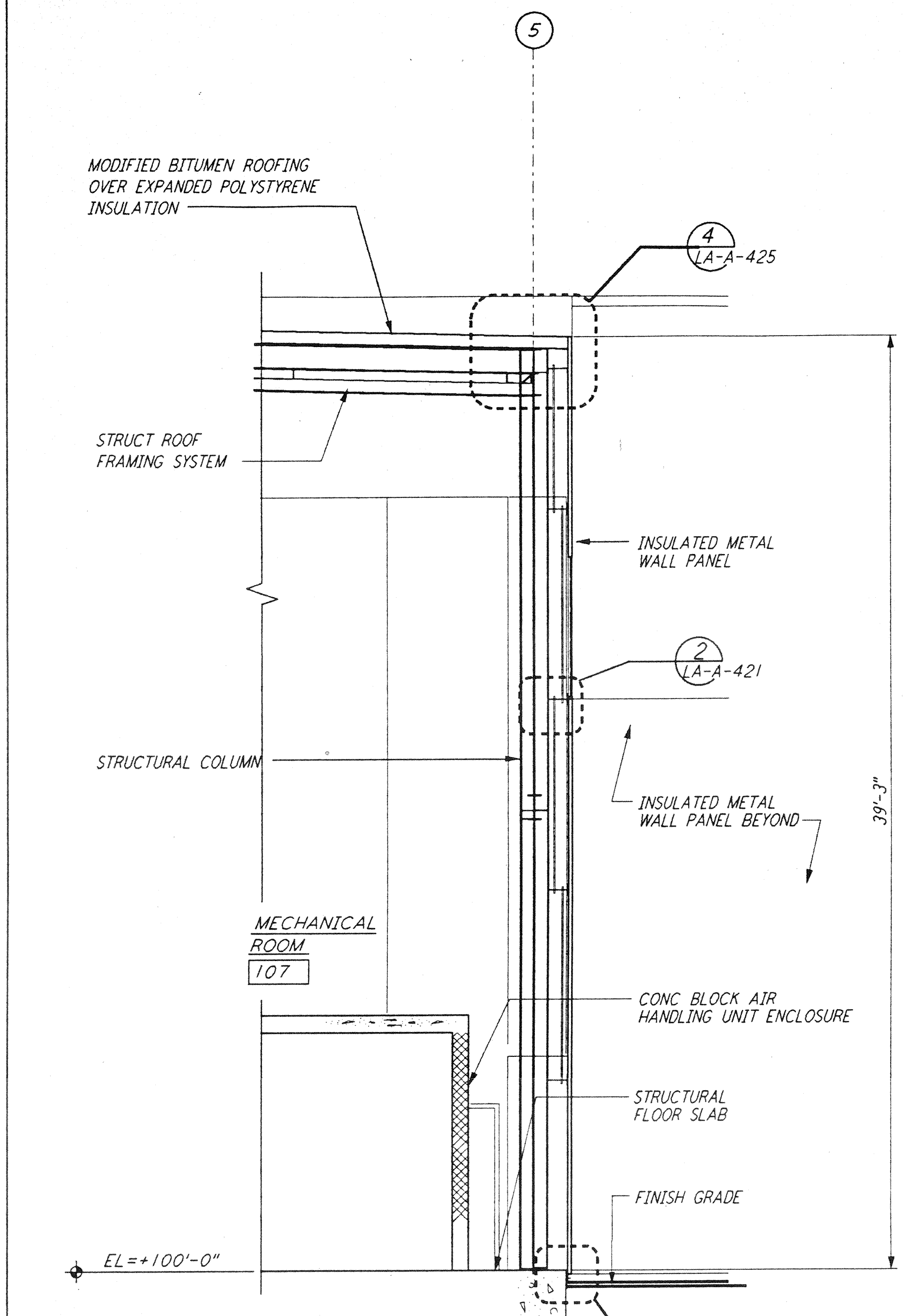
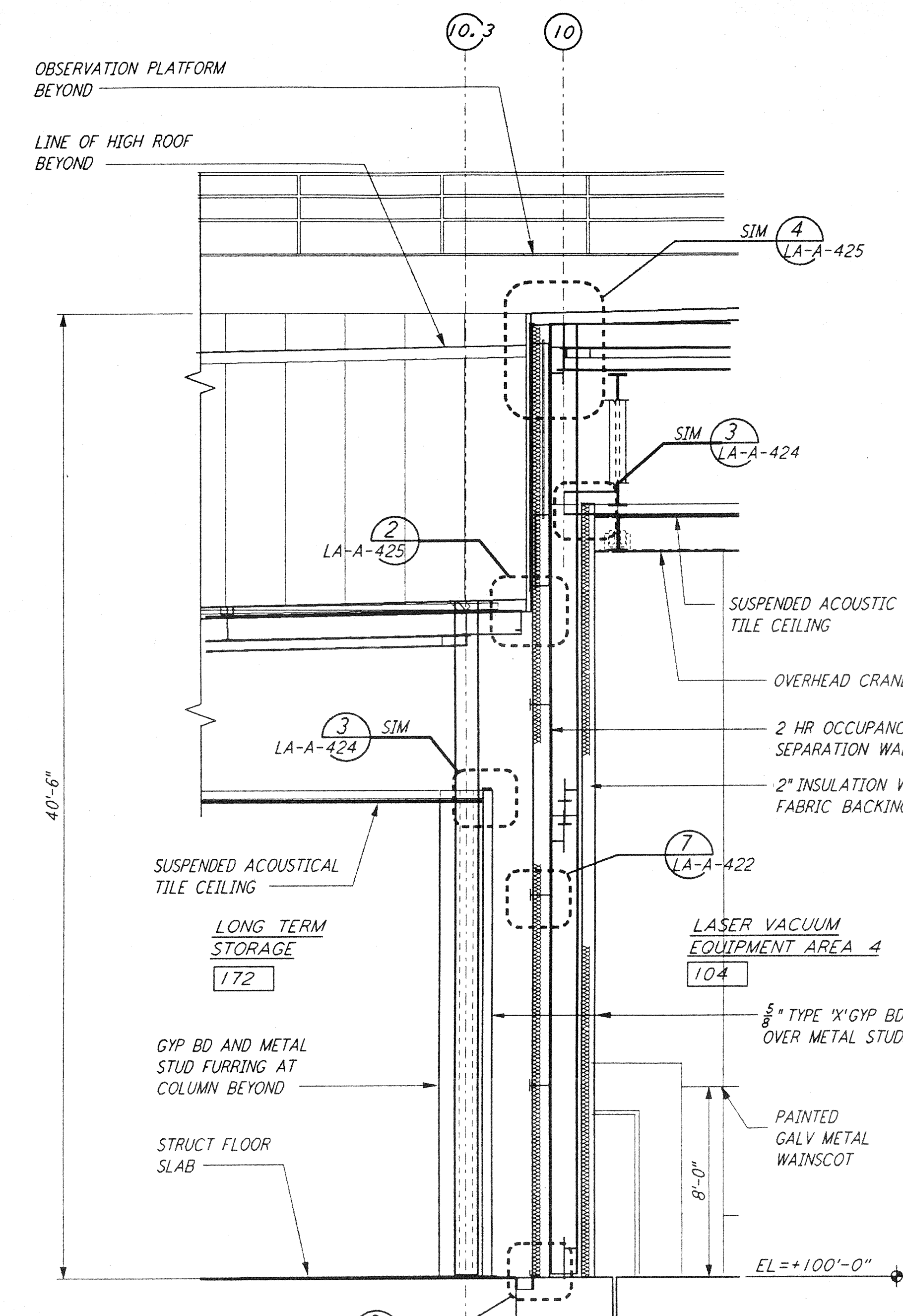
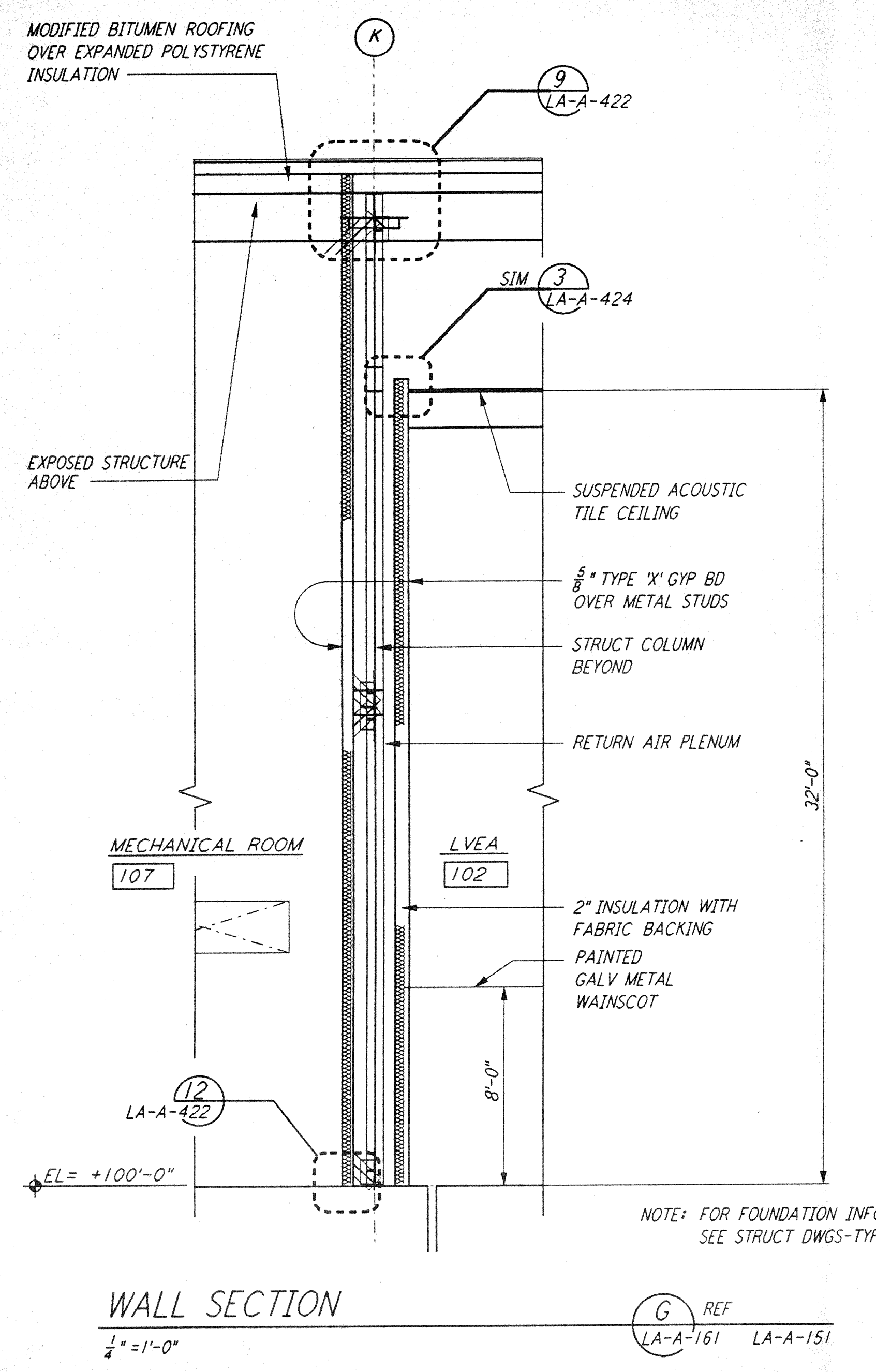
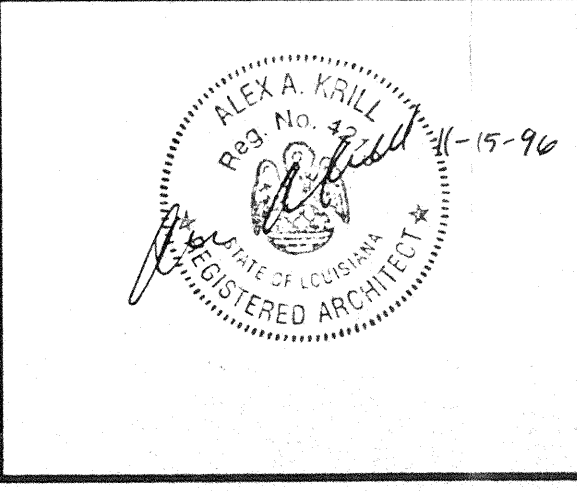


This document and the design it covers are the property of PARSONS. They are loaned only with the borrower's expressed written agreement that they will not be reproduced, copied, loaned, exhibited, or used in any other way, except by written consent from PARSONS to the borrower.



NO.	DATE	BY	CHKD	ENGR	PROJ	DESCRIPTION

ISSUED FOR CONSTRUCTION		
DRAWN	CKT	11-15-96
CHECKED	TB	11-15-96
ENGINEER	CF	11-15-96
PROJ		11/15/96



PARSONS
 100 WEST WALNUT STREET
 PASADENA, CALIFORNIA

LIGO
 CALIFORNIA INSTITUTE OF TECHNOLOGY
 MASSACHUSETTS INSTITUTE OF TECHNOLOGY

LASER INTERFEROMETER
 GRAVITATIONAL-WAVE OBSERVATORY
 SITE NO. 2 - LIVINGSTON, LOUISIANA

ARCHITECTURAL
 CORNER STATION
 WALL SECTIONS
 SHEET I

SCALE: 1/4" = 1'-0"
 CONTRACT NUMBER: PPI 50969
 PROJECT NUMBER: 8094
 SHEET NUMBER: LA-A-161