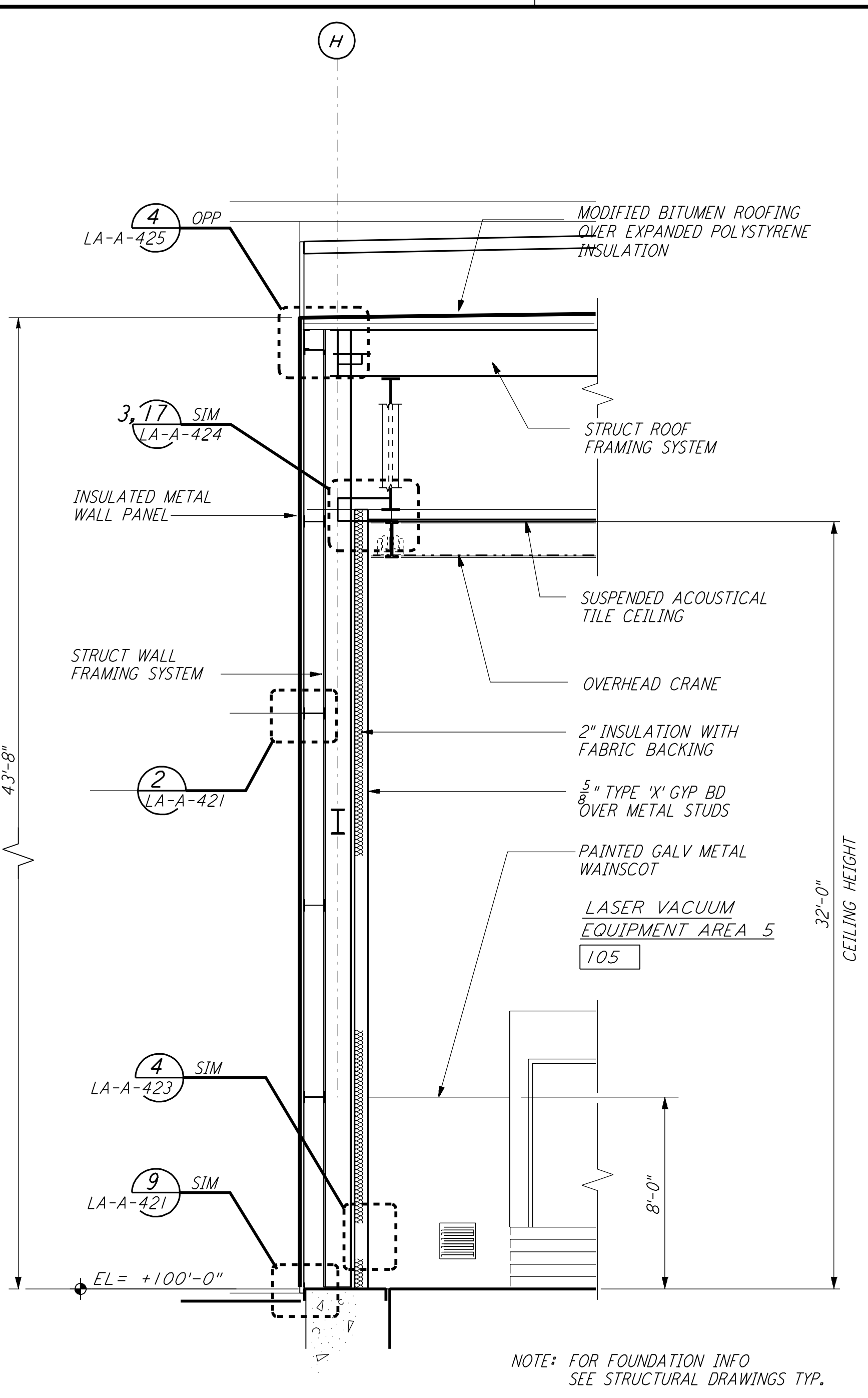
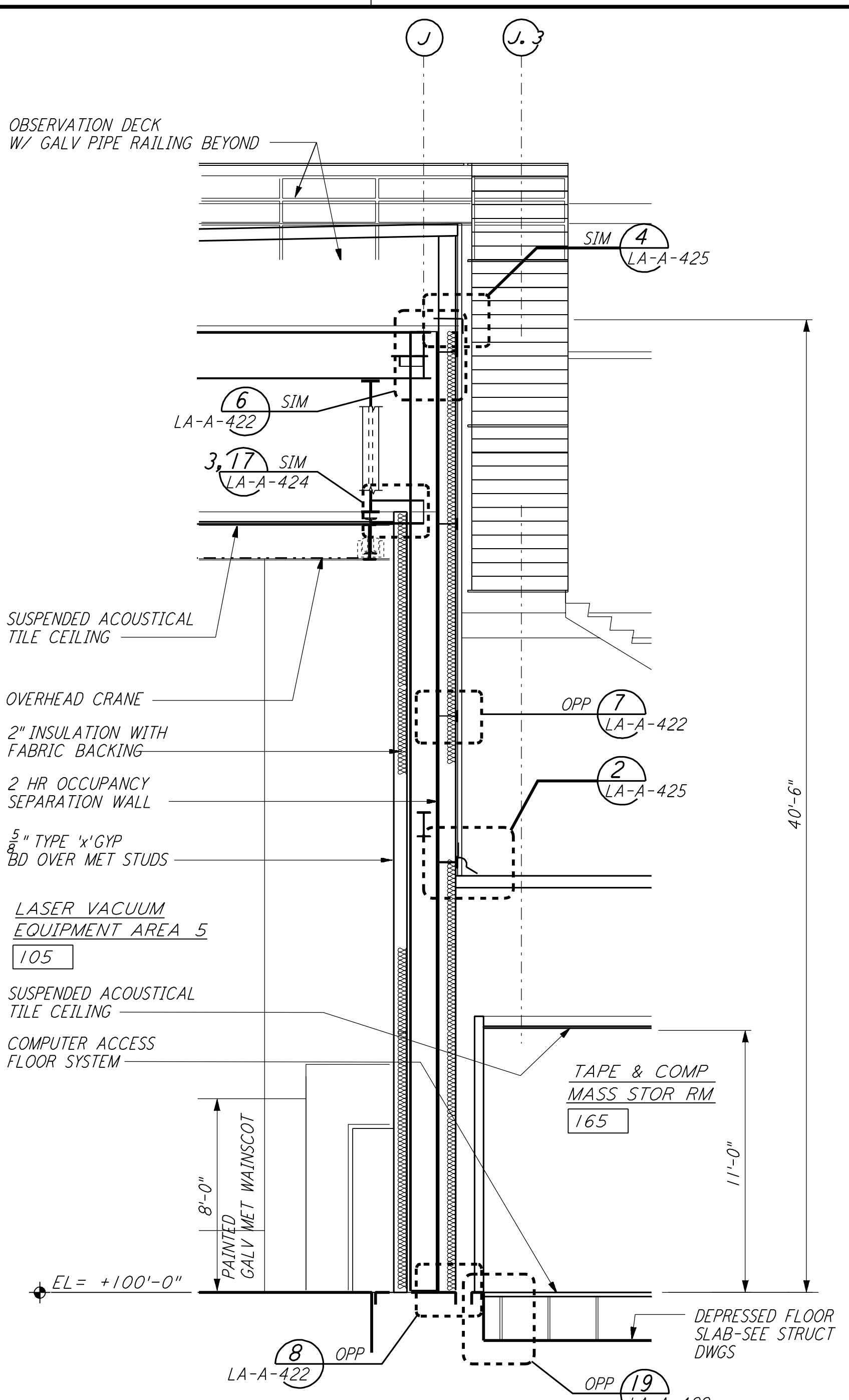


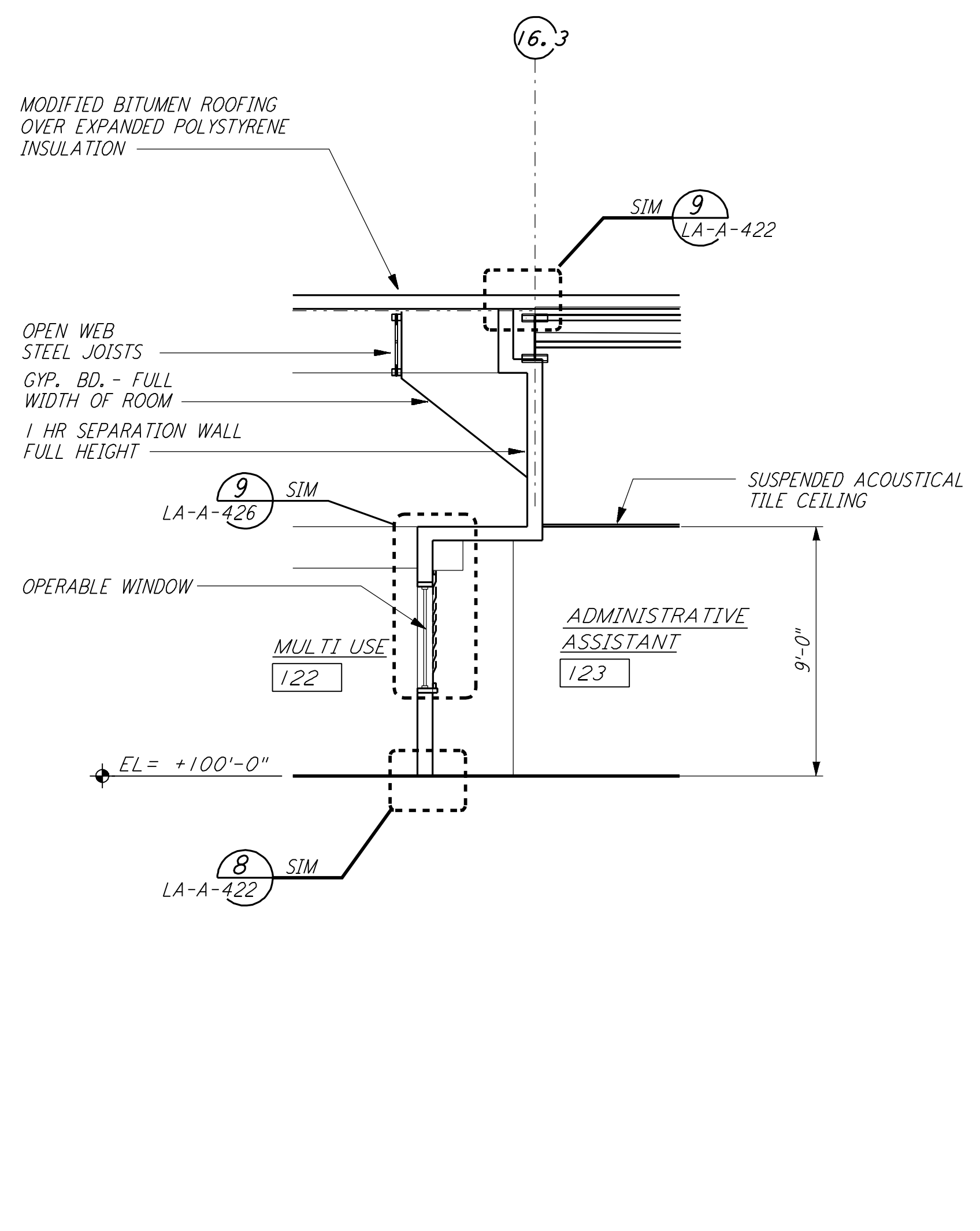
This document and the design it covers are the property of PARSONS. They are loaned only with the borrower's expressed written agreement that they will not be reproduced, copied, loaned, exhibited, or used in any other way, except by written consent from PARSONS to the borrower.



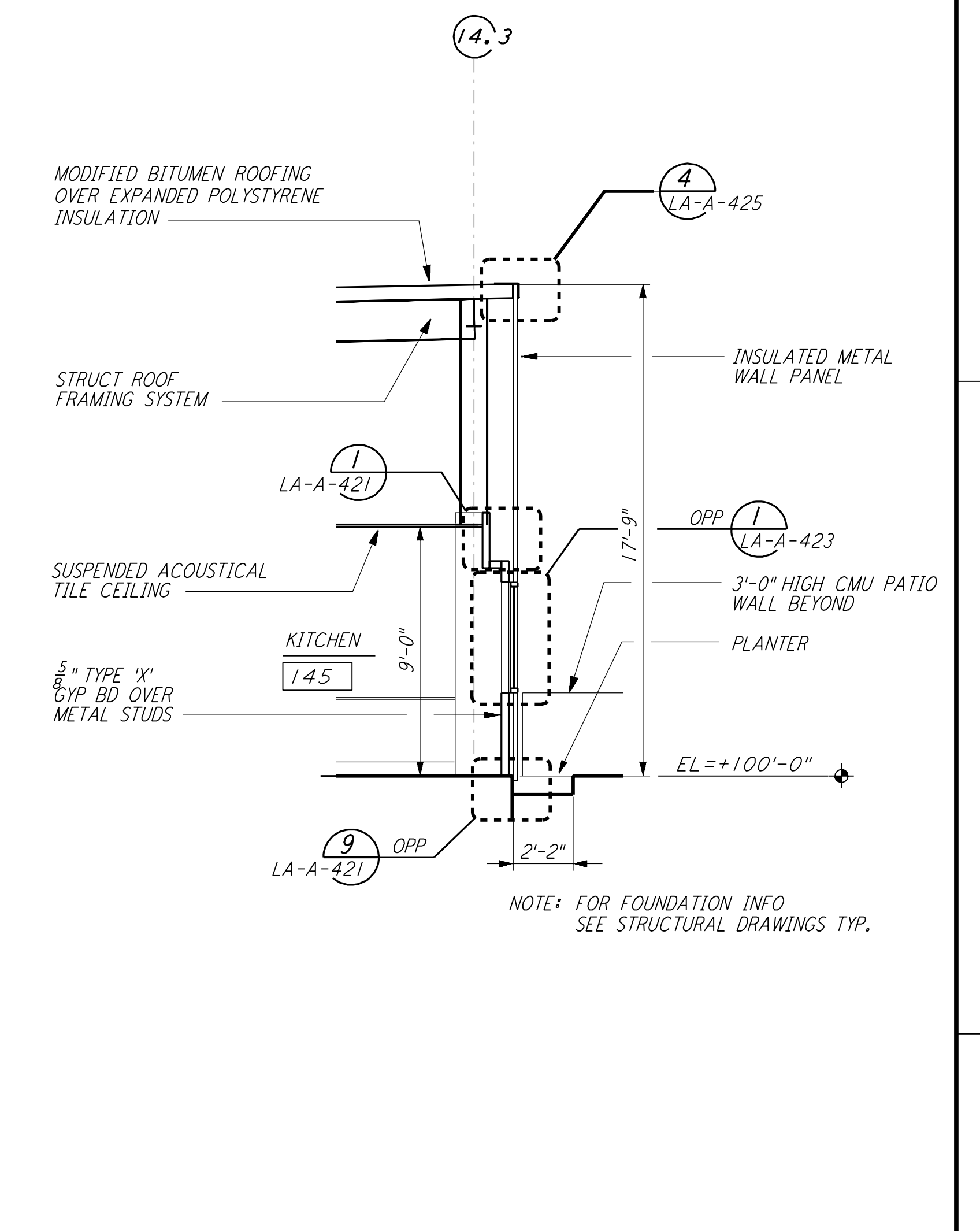
WALL SECTION
 $\frac{1}{4}'' = 1'-0''$ G REF LA-A-162 LA-A-152



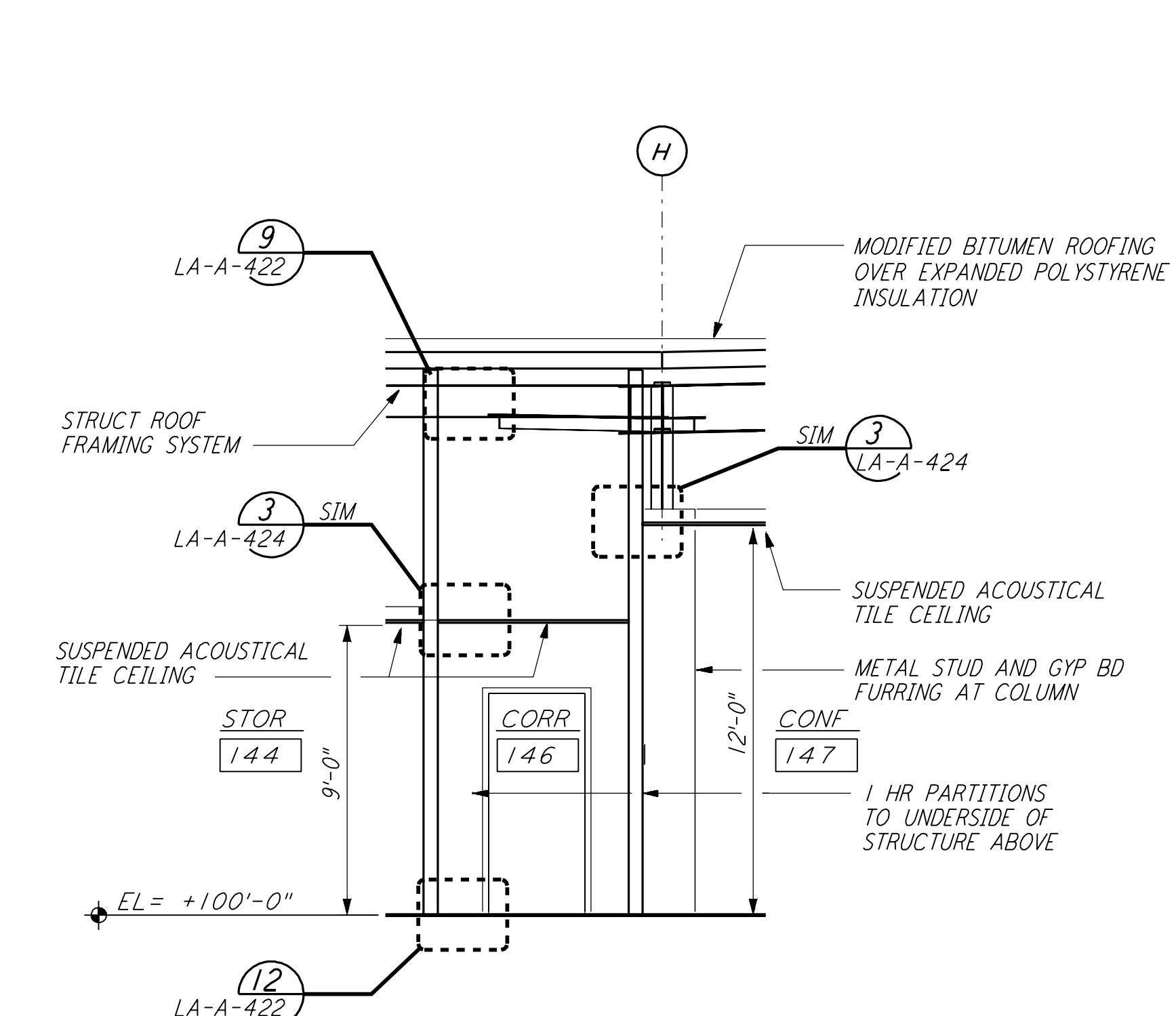
WALL SECTION
 $\frac{1}{4}'' = 1'-0''$ E REF LA-A-162 LA-A-152



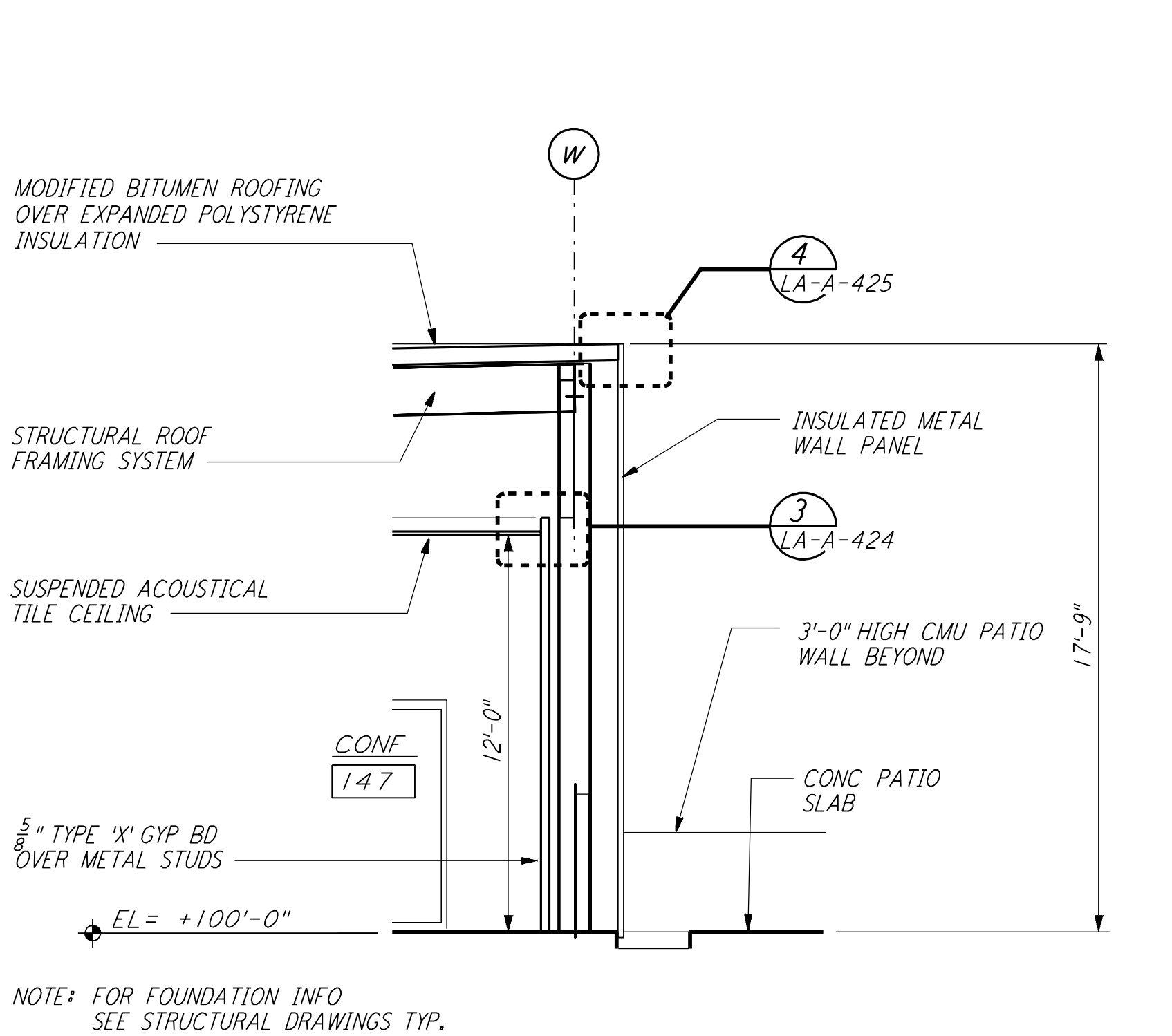
WALL SECTION
 $\frac{1}{4}'' = 1'-0''$ C REF LA-A-162 LA-A-152



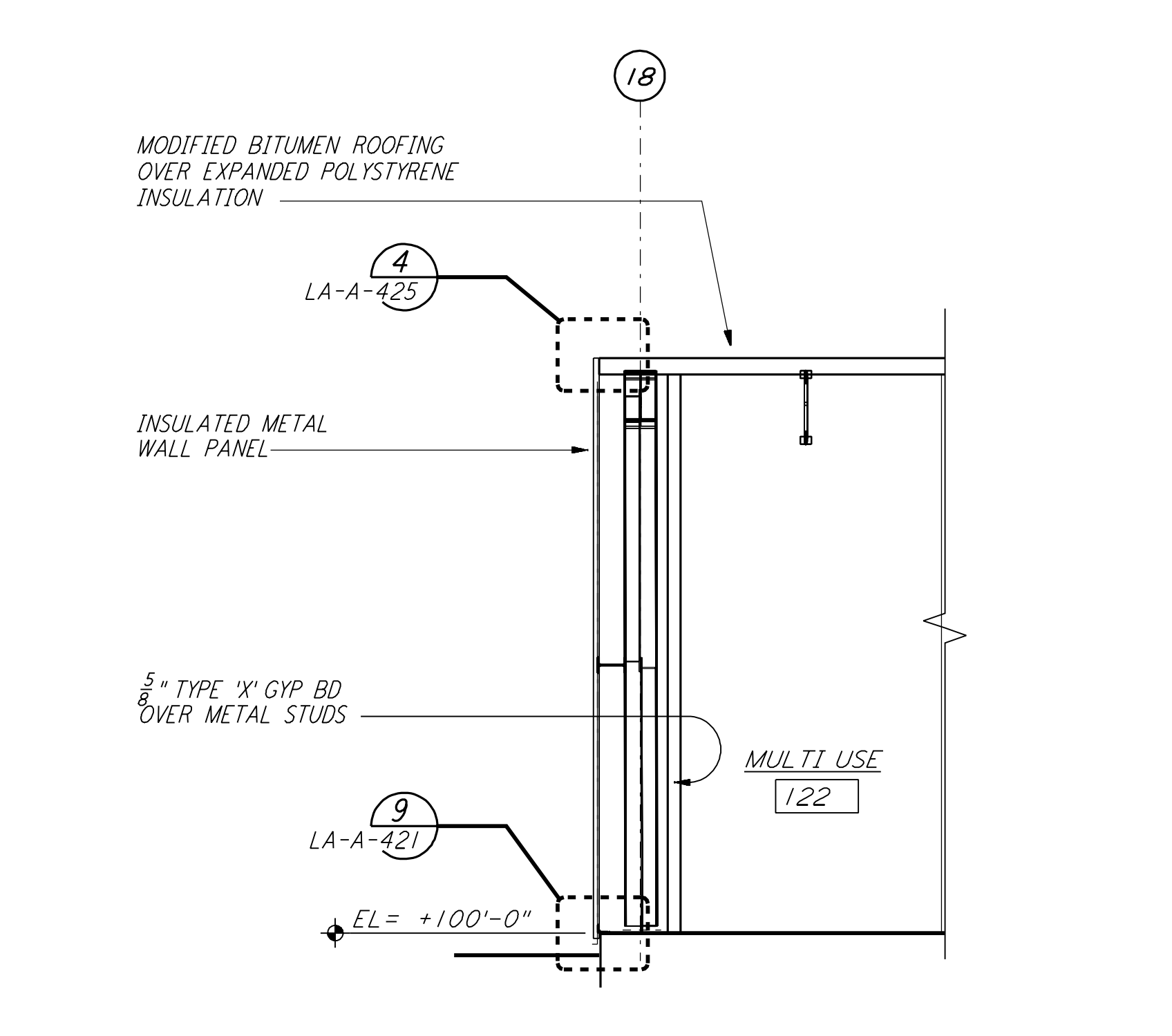
WALL SECTION
 $\frac{1}{4}'' = 1'-0''$ A REF LA-A-162 LA-A-152



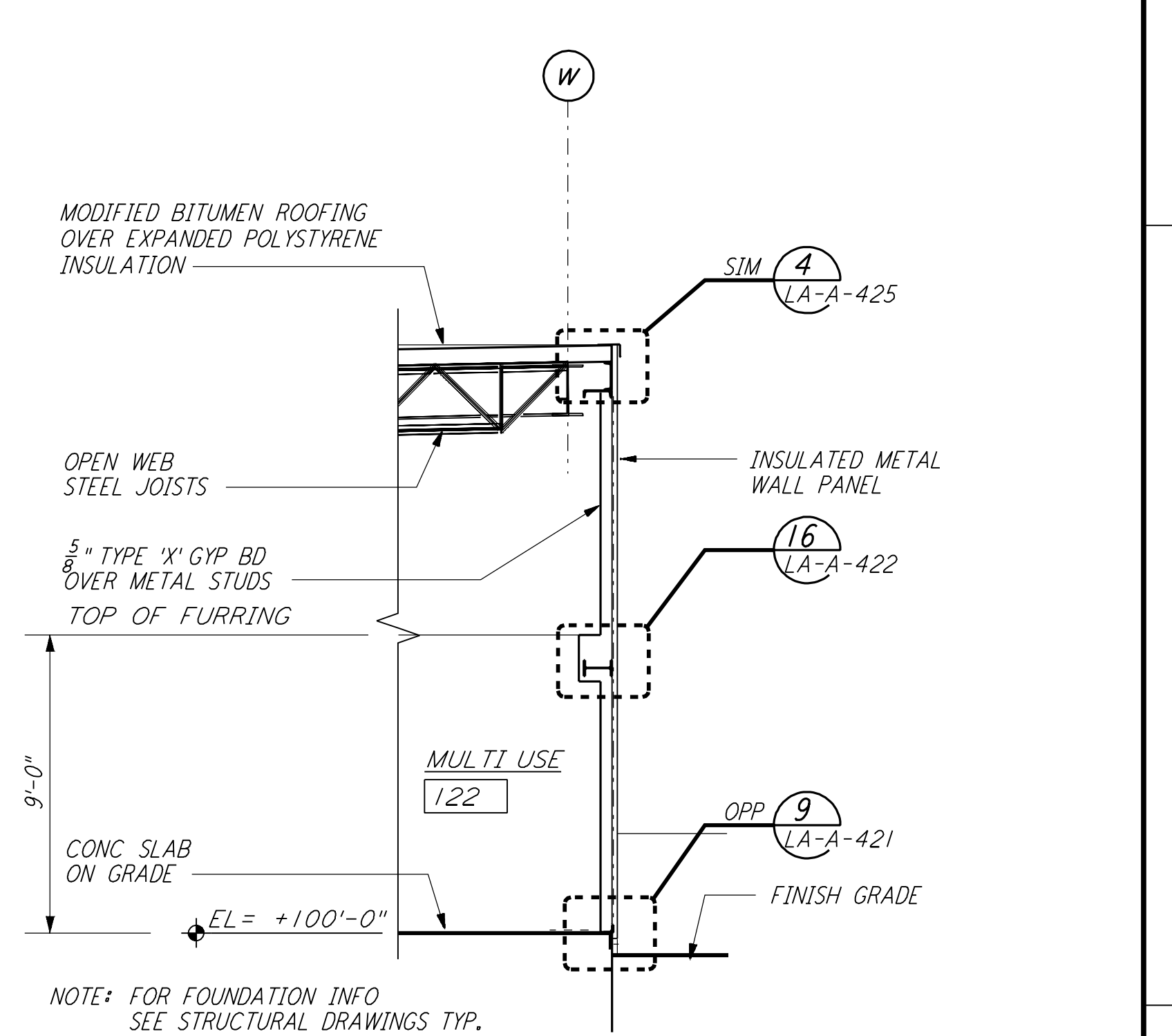
WALL SECTION
 $\frac{1}{4}'' = 1'-0''$ H REF LA-A-162 LA-A-152



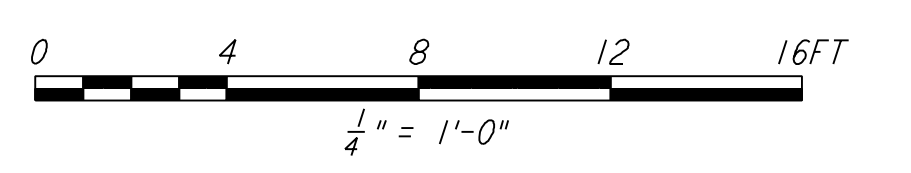
WALL SECTION
 $\frac{1}{4}'' = 1'-0''$ F REF LA-A-162 LA-A-152



WALL SECTION
 $\frac{1}{4}'' = 1'-0''$ D REF LA-A-162 LA-A-152



WALL SECTION
 $\frac{1}{4}'' = 1'-0''$ B REF LA-A-162 LA-A-152



LIGO-D960890-02-O

NO.	DATE	BY	CHKD	ENGR	PROJ	DESCRIPTION
2	08-07-98	SJM				ISSUED FOR AS-BUILT
1	2-28-97	CKT	TB	AK	TDM	OSB REVISION

ISSUED FOR CONSTRUCTION		
DRAWN	CKT	11-15-96
CHECKED	TB	11-15-96
ENGINEER	SF	11-15-96
PROJ	MDW	11-15-96

AS-BUILT DRAWINGS

PARSONS
 100 WEST WALNUT STREET
 PASADENA, CALIFORNIA

LIGO
 CALIFORNIA INSTITUTE OF TECHNOLOGY
 MASSACHUSETTS INSTITUTE OF TECHNOLOGY

LASER INTERFEROMETER
 GRAVITATIONAL-WAVE OBSERVATORY
 SITE NO. 2 - LIVINGSTON, LOUISIANA

ARCHITECTURAL CORNER STATION WALL SECTIONS SHEET 2

SCALE: PPI50969 8094
 SHEET NUMBER: **LA-A-162**