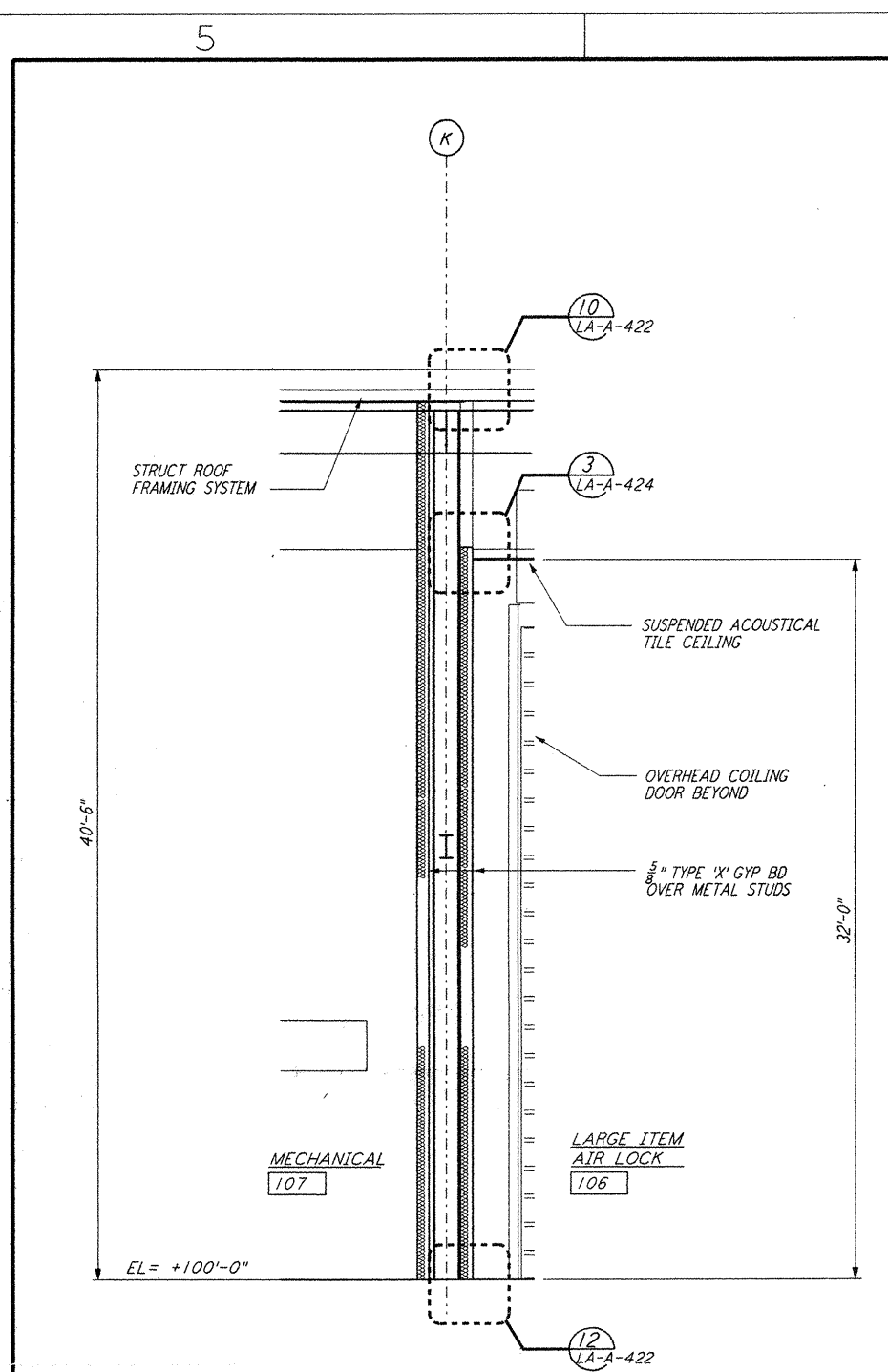
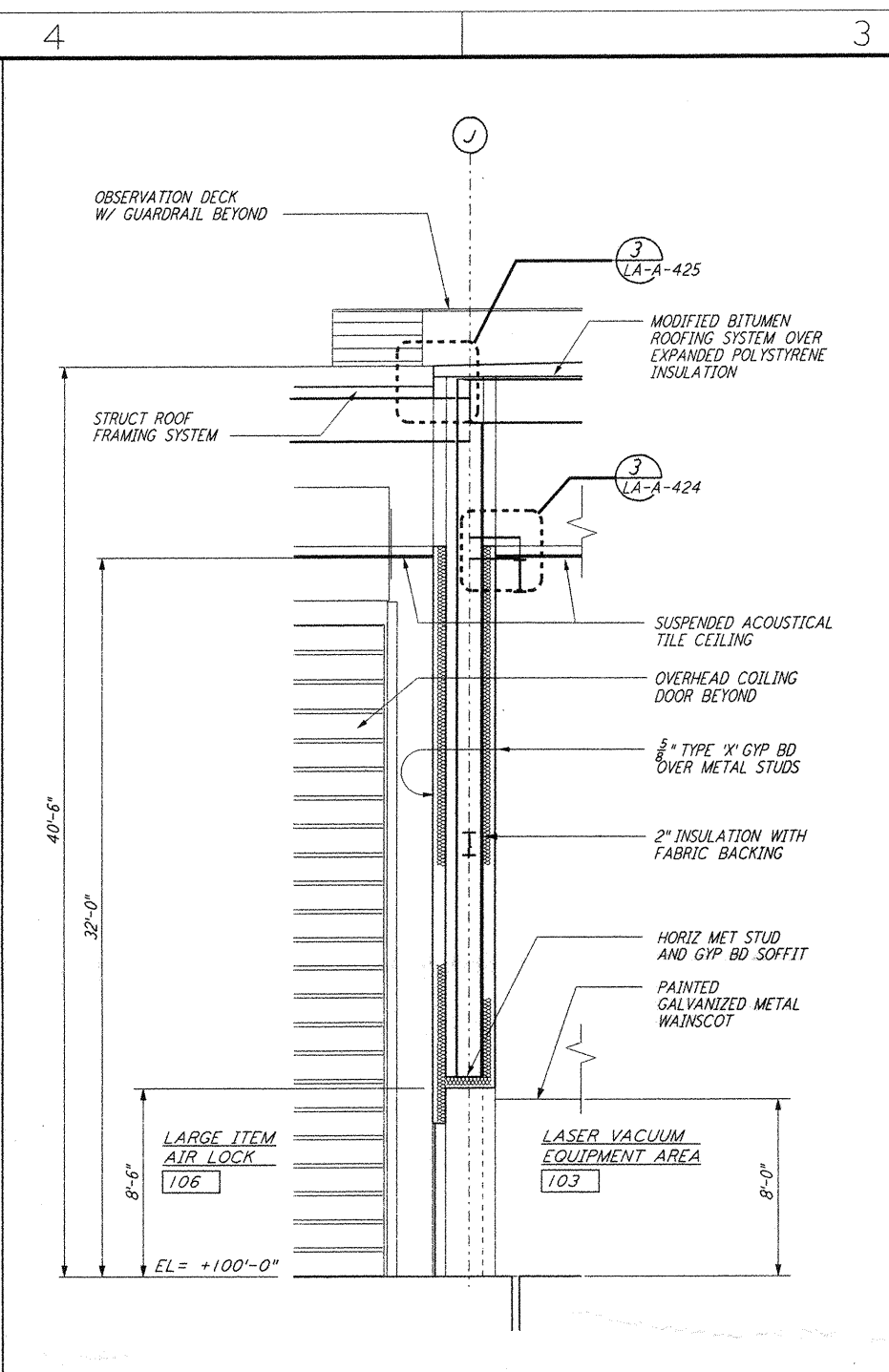


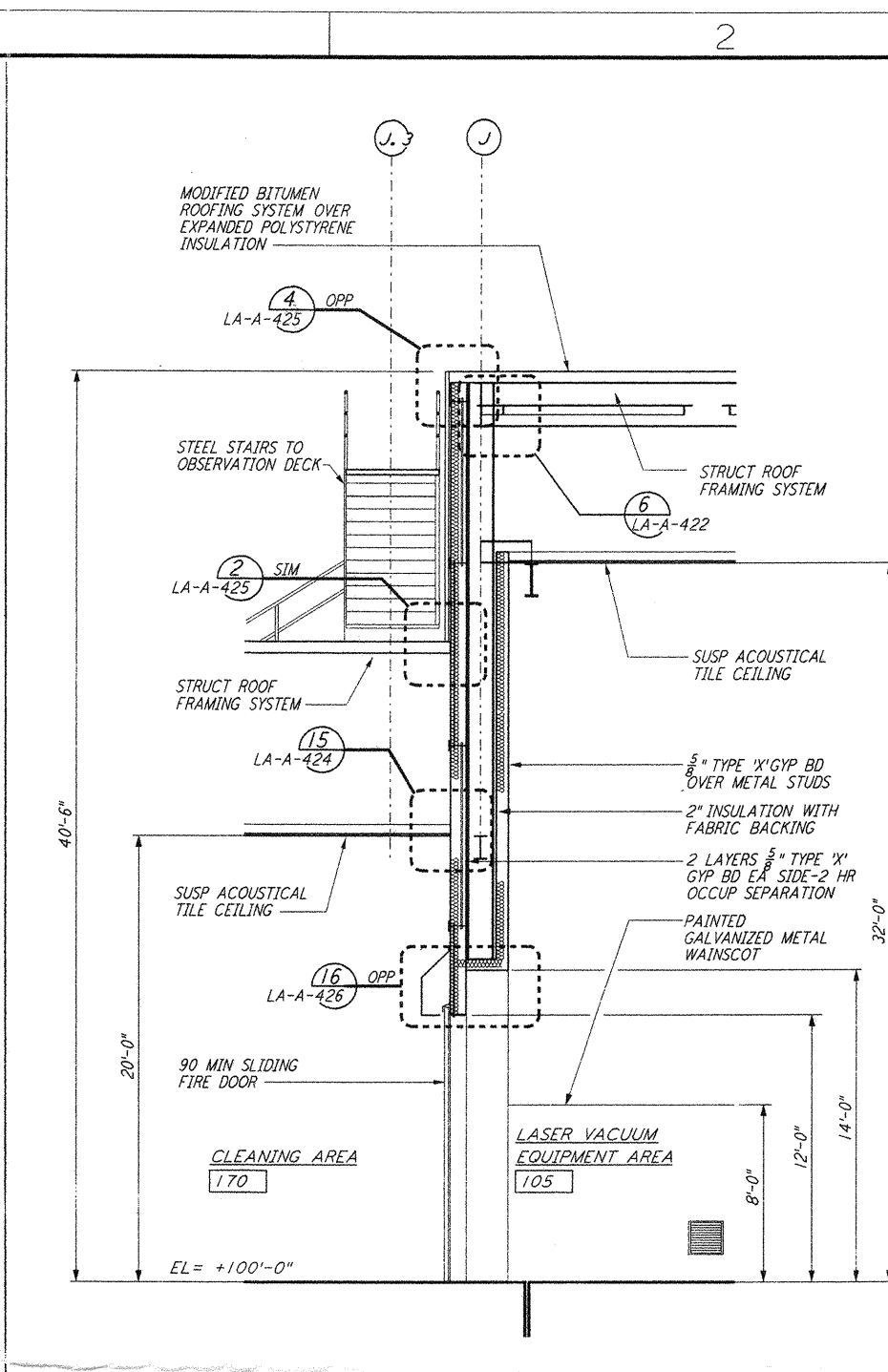
This document and the design it covers are the property of PARSONS. They are loaned only with the borrower's expressed written agreement that they will not be reproduced, copied, loaned, exhibited, or used in any other way, except by written consent from PARSONS to the borrower.



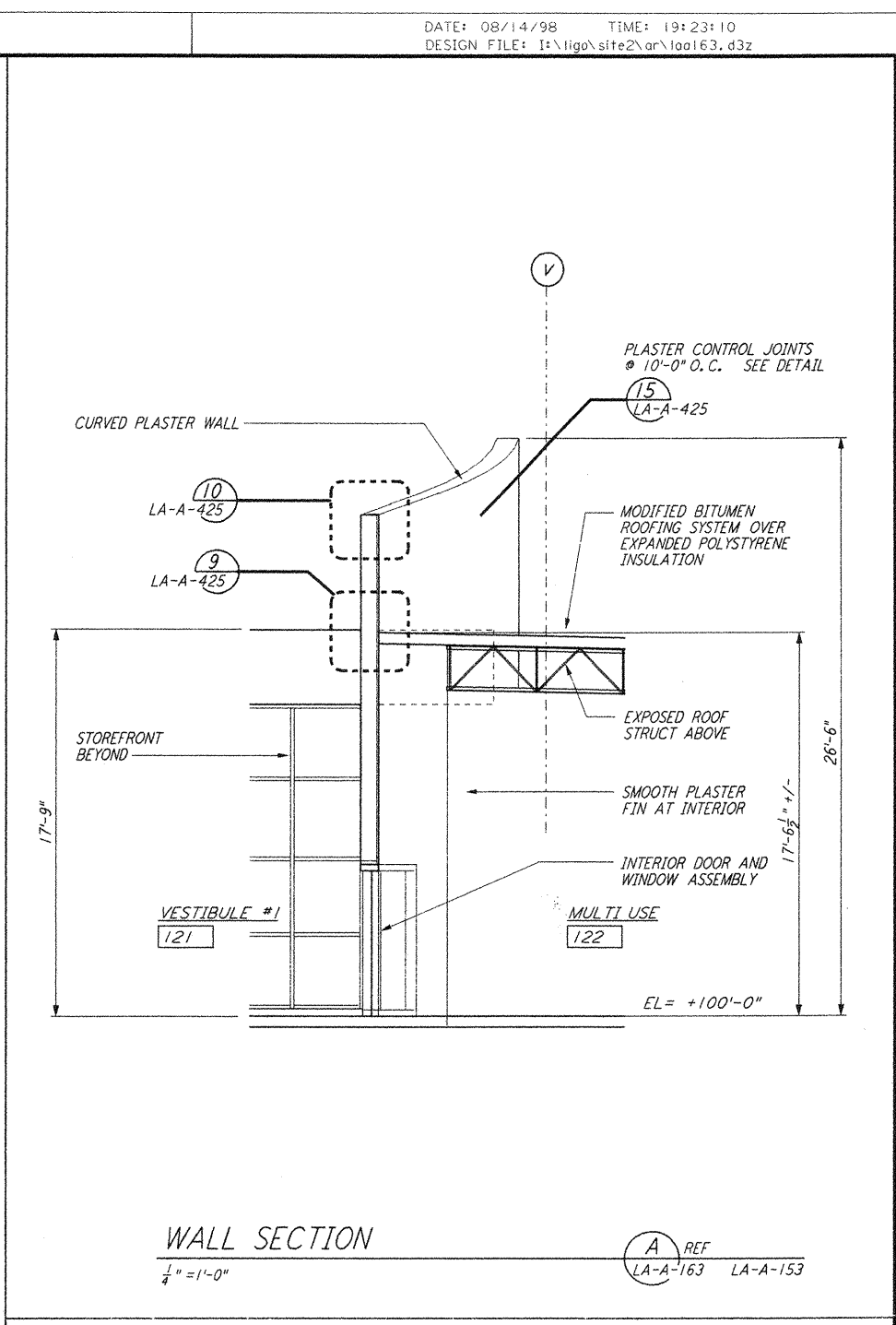
WALL SECTION
 $\frac{1}{4}'' = 1'-0''$ REF LA-A-163 LA-A-153



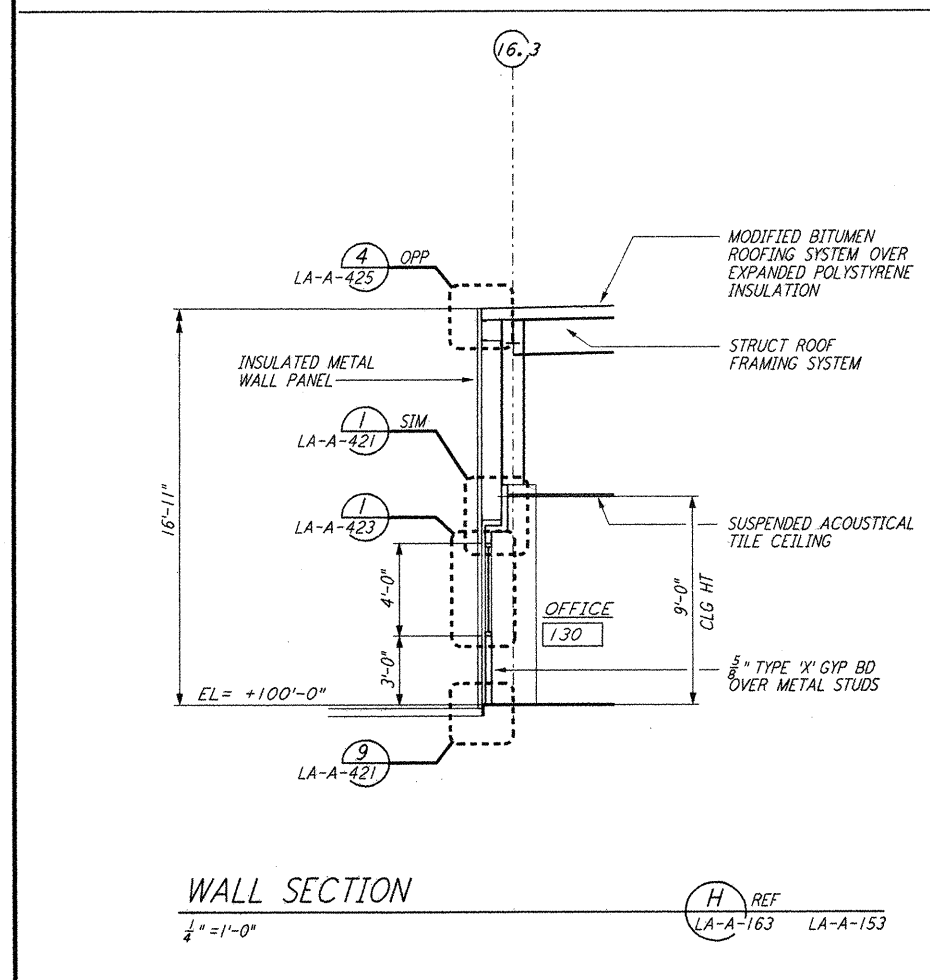
WALL SECTION
 $\frac{1}{4}'' = 1'-0''$ REF LA-A-163 LA-A-153



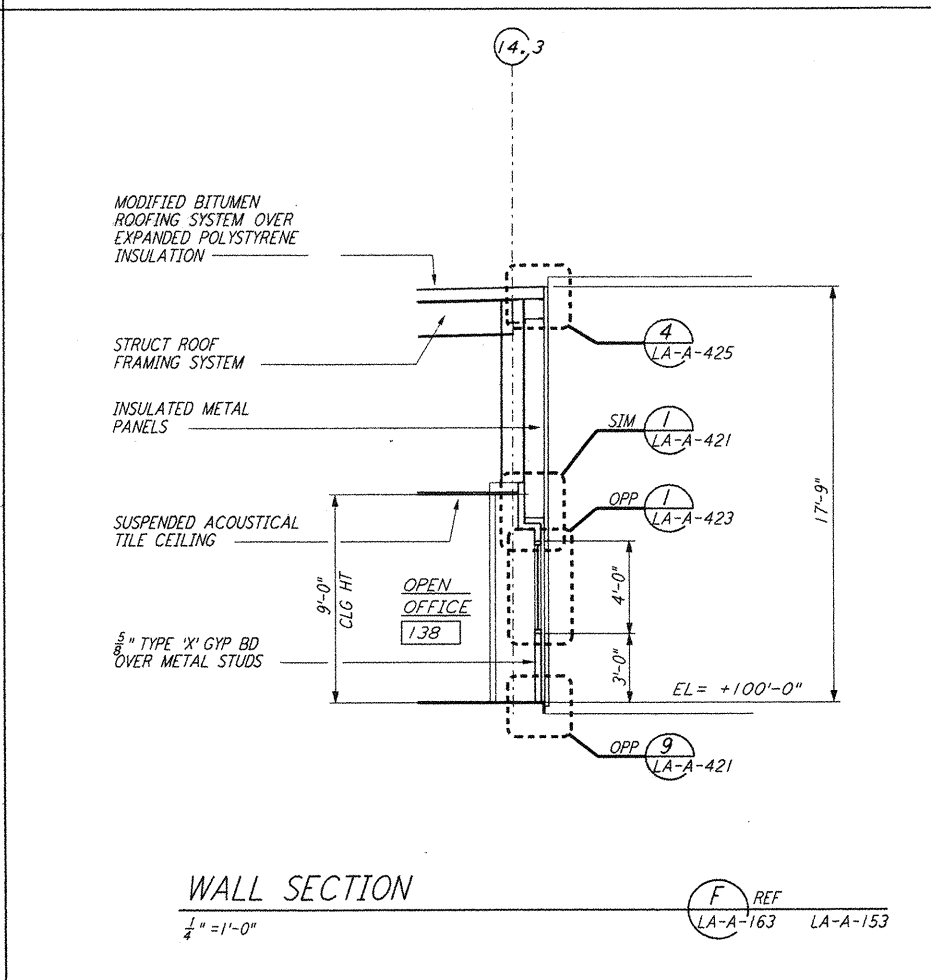
WALL SECTION
 $\frac{1}{4}'' = 1'-0''$ REF LA-A-163 LA-A-153



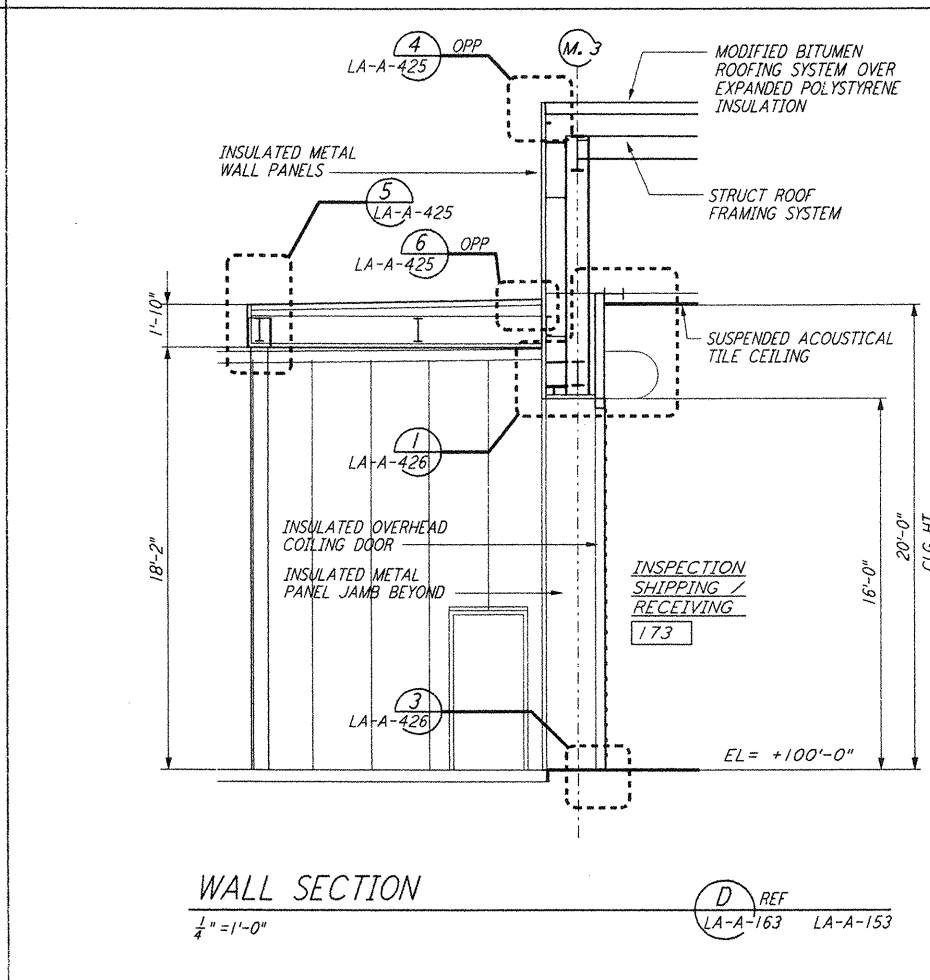
WALL SECTION
 $\frac{1}{4}'' = 1'-0''$ REF LA-A-163 LA-A-153



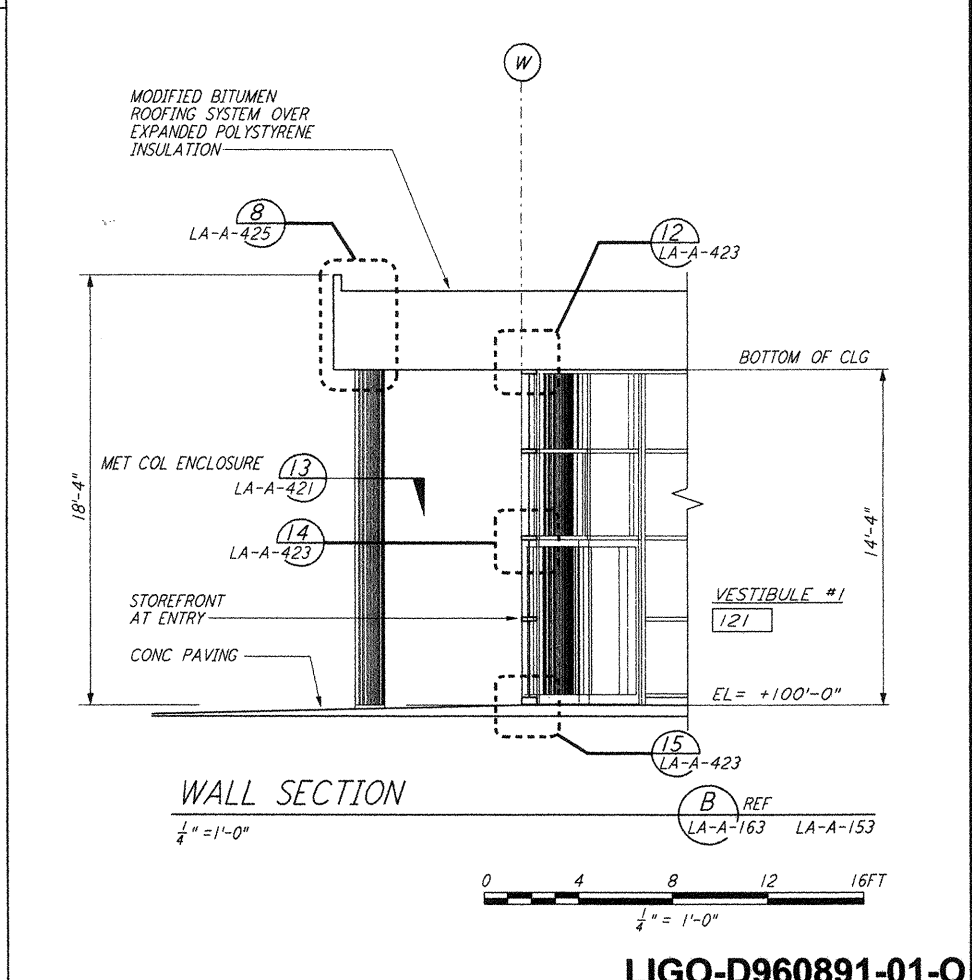
WALL SECTION
 $\frac{1}{4}'' = 1'-0''$ REF LA-A-163 LA-A-153



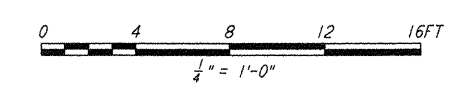
WALL SECTION
 $\frac{1}{4}'' = 1'-0''$ REF LA-A-163 LA-A-153



WALL SECTION
 $\frac{1}{4}'' = 1'-0''$ REF LA-A-163 LA-A-153



WALL SECTION
 $\frac{1}{4}'' = 1'-0''$ REF LA-A-163 LA-A-153



NO.	DATE	BY	CHKD	ENGR	PROJ	DESCRIPTION
1	08-07-98	SJM	CKT	LA	TDM	ISSUED FOR AS-BUILT

ISSUED FOR CONSTRUCTION		
DRAWN	CKT	11-15-96
CHECKED	TB	11-15-96
ENGINEER	SF	11-15-96
PROJ	TDM	11-15-96

AS-BUILT DRAWINGS

PARSONS
 100 WEST WALNUT STREET
 PASADENA, CALIFORNIA

LIGO
 CALIFORNIA INSTITUTE OF TECHNOLOGY
 MASSACHUSETTS INSTITUTE OF TECHNOLOGY

**LASER INTERFEROMETER
 GRAVITATIONAL-WAVE OBSERVATORY
 SITE NO. 2 - LIVINGSTON, LOUISIANA**

TITLE: ARCHITECTURAL CORNER STATION WALL SECTIONS SHEET 3
 CONTRACT NUMBER: PPI 150969
 PROJECT NUMBER: 8094
 SHEET NUMBER: LA-A-163