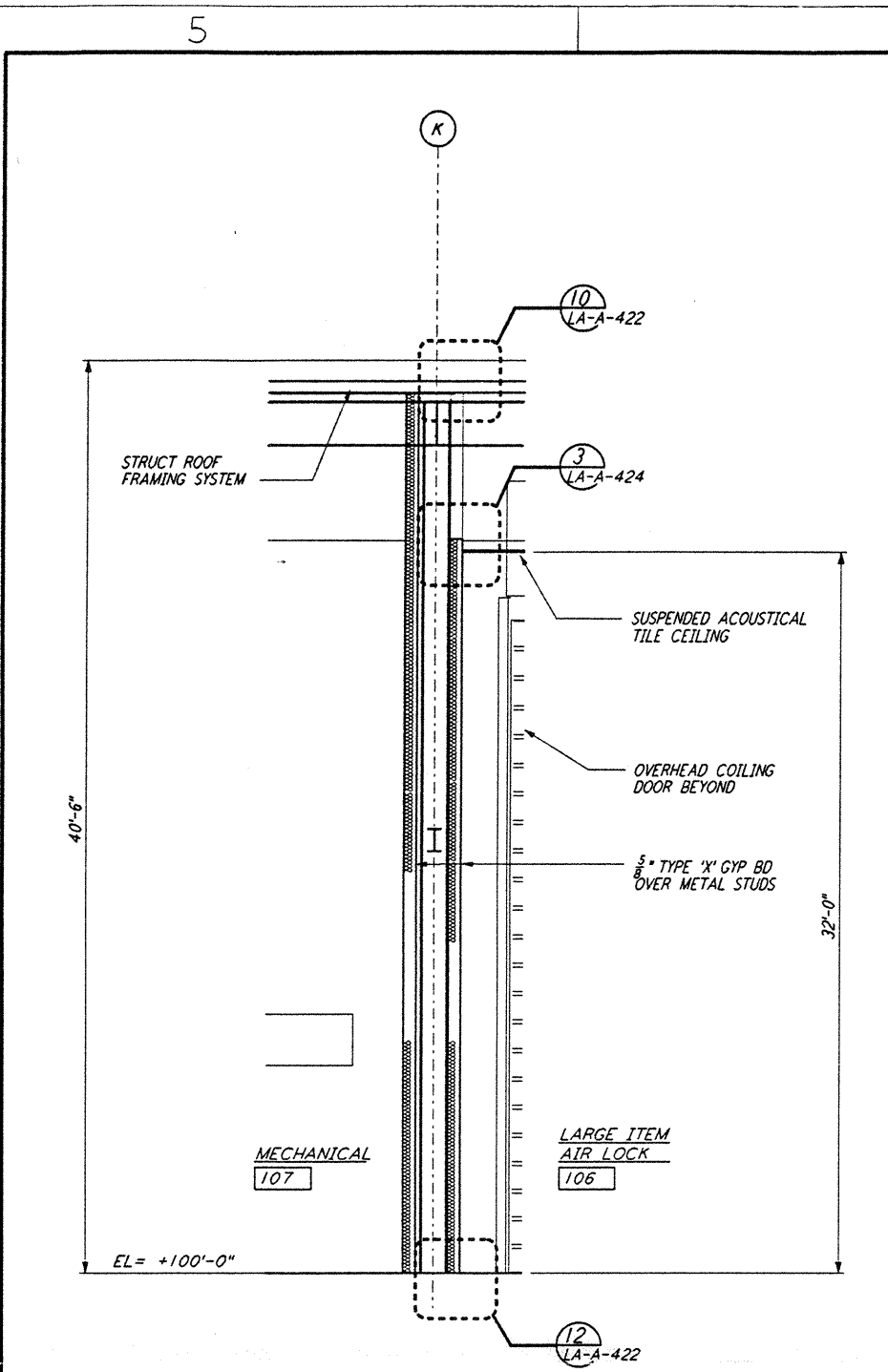
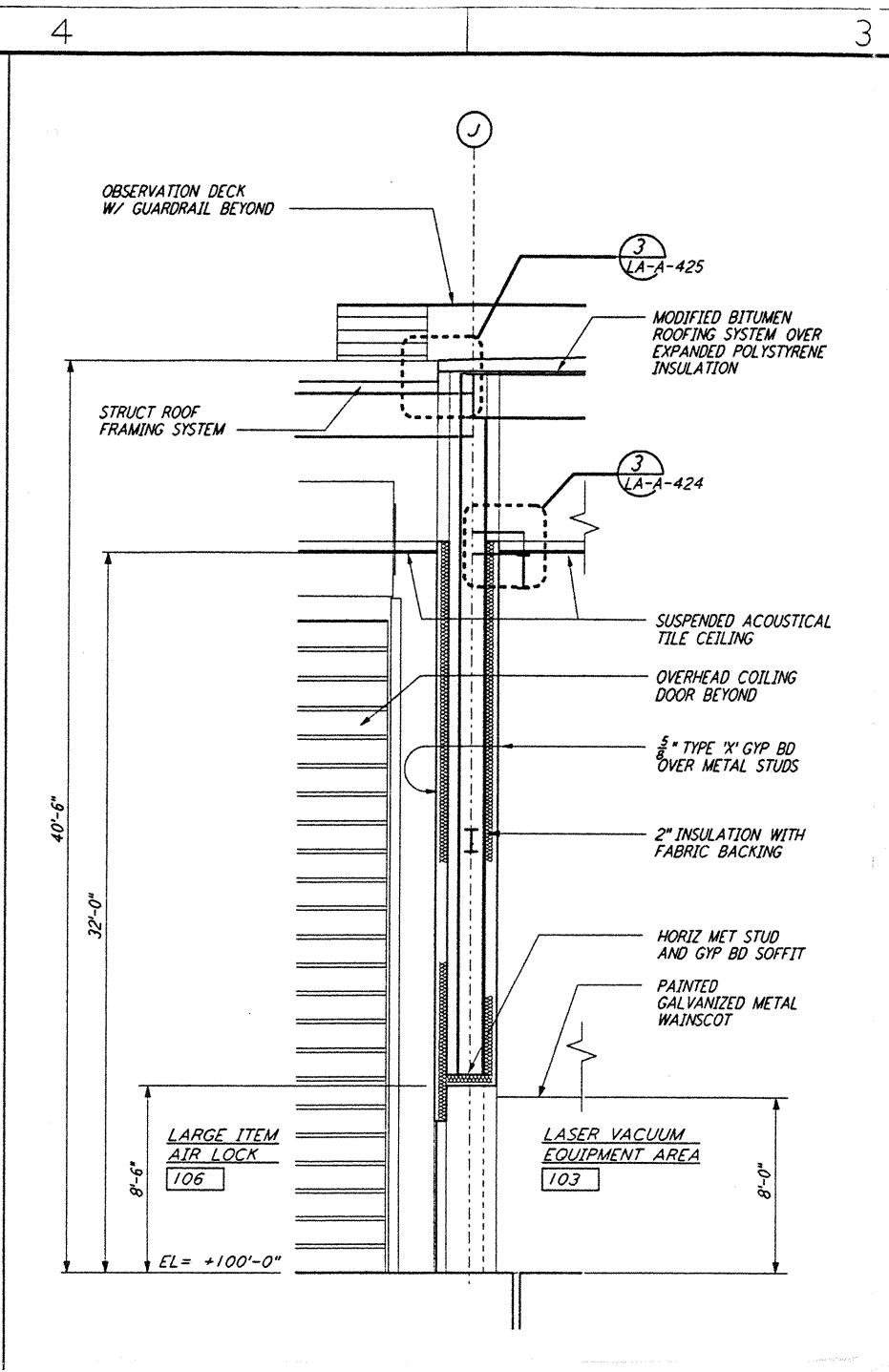


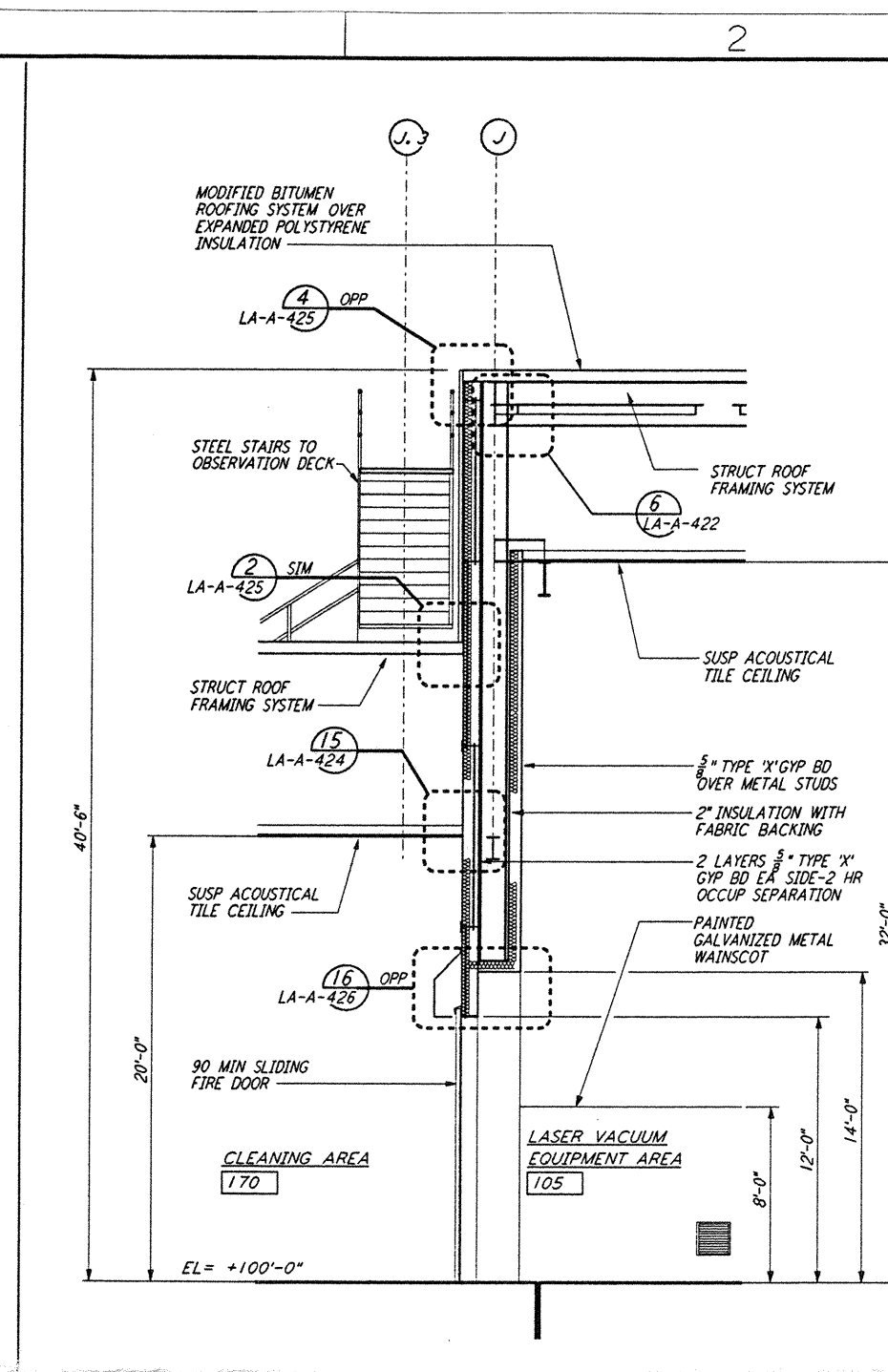
This document and the design it covers are the property of PARSONS. They are loaned only with the borrower's expressed written agreement that they will not be reproduced, copied, loaned, exhibited, or used in any other way, except by written consent from PARSONS to the borrower.



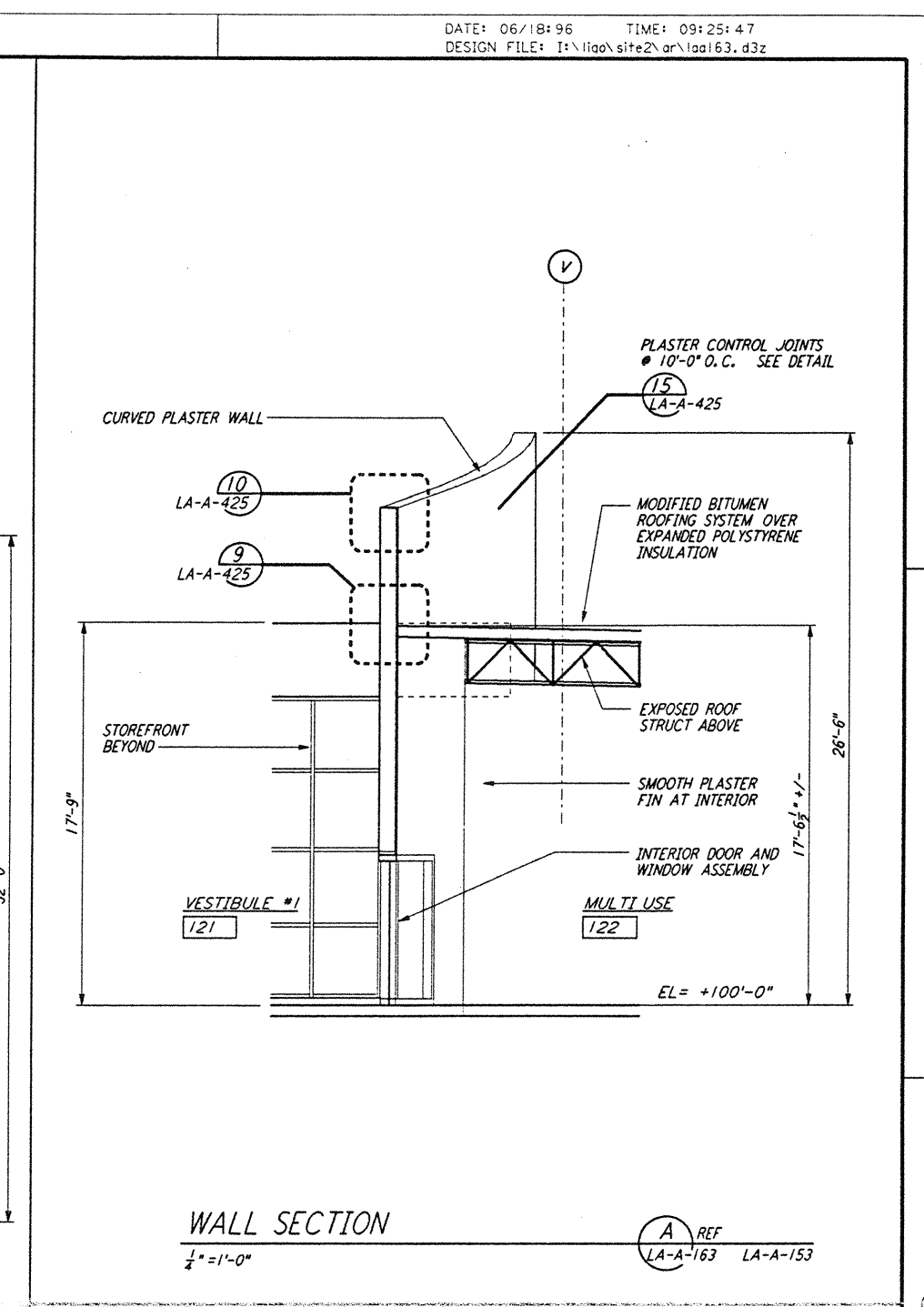
WALL SECTION
 $\frac{1}{4}'' = 1'-0''$ K REF LA-A-163 LA-A-153



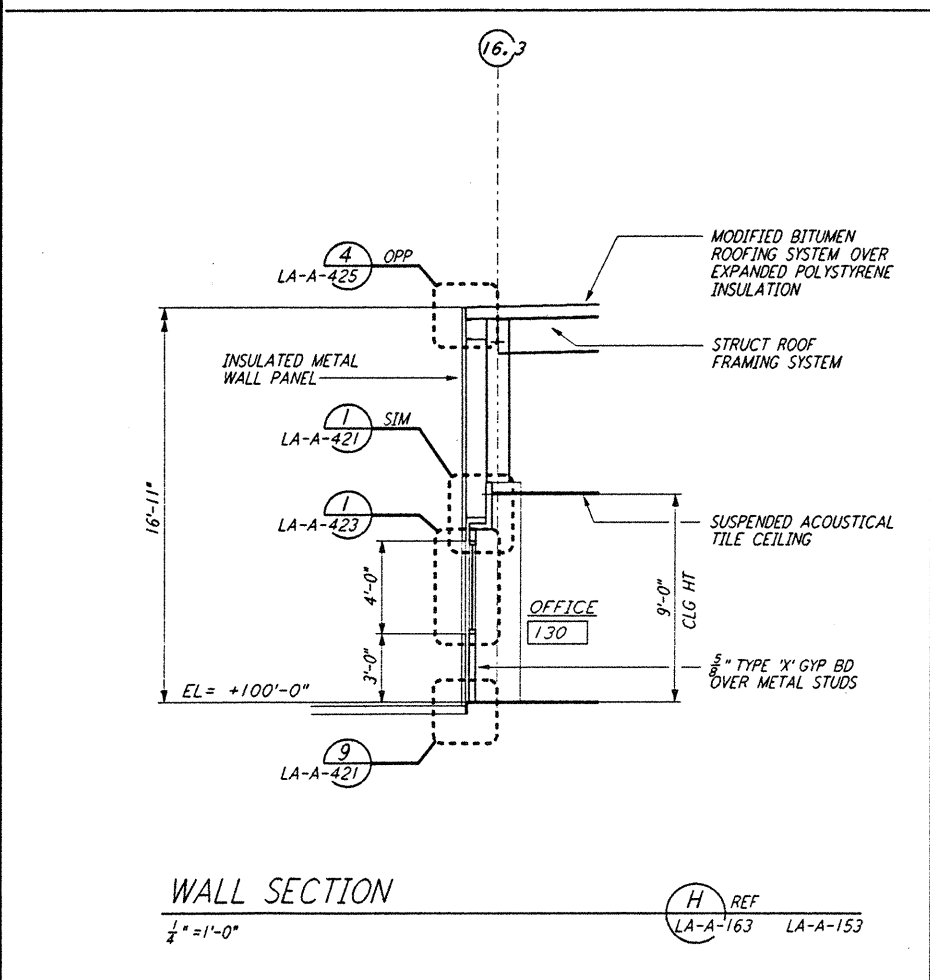
WALL SECTION
 $\frac{1}{4}'' = 1'-0''$ J REF LA-A-163 LA-A-153



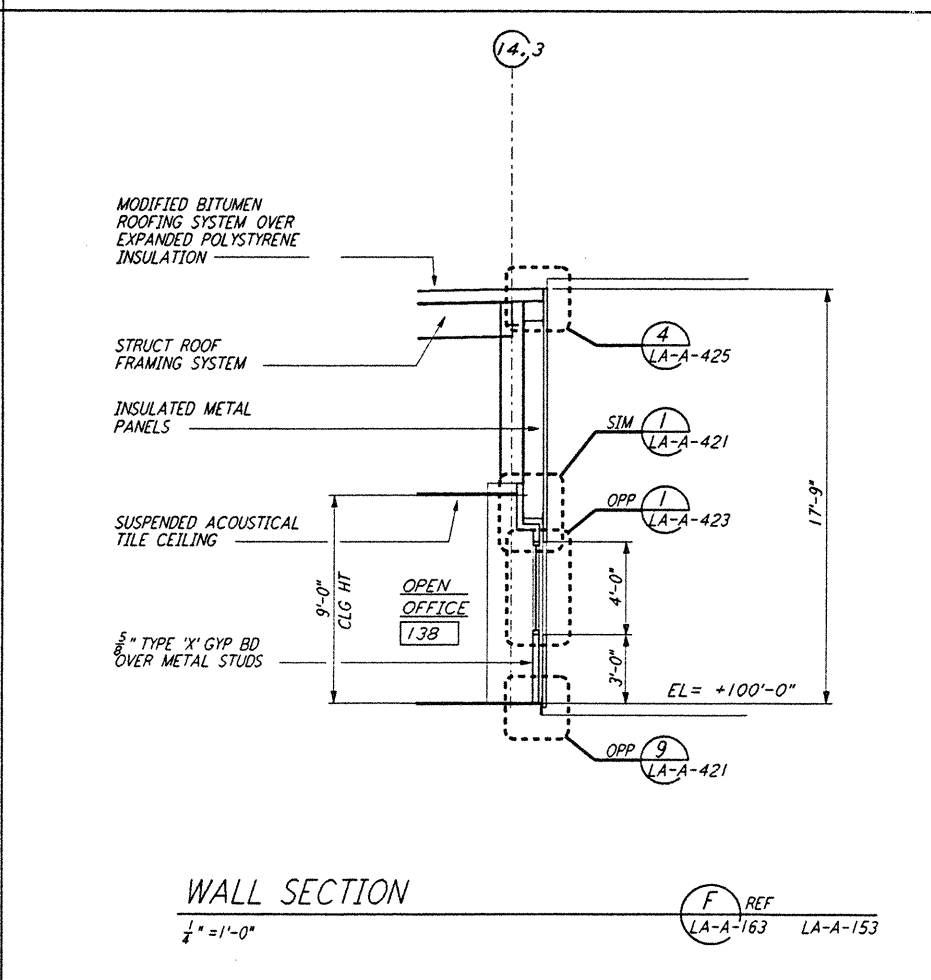
WALL SECTION
 $\frac{1}{4}'' = 1'-0''$ I REF LA-A-163 LA-A-153



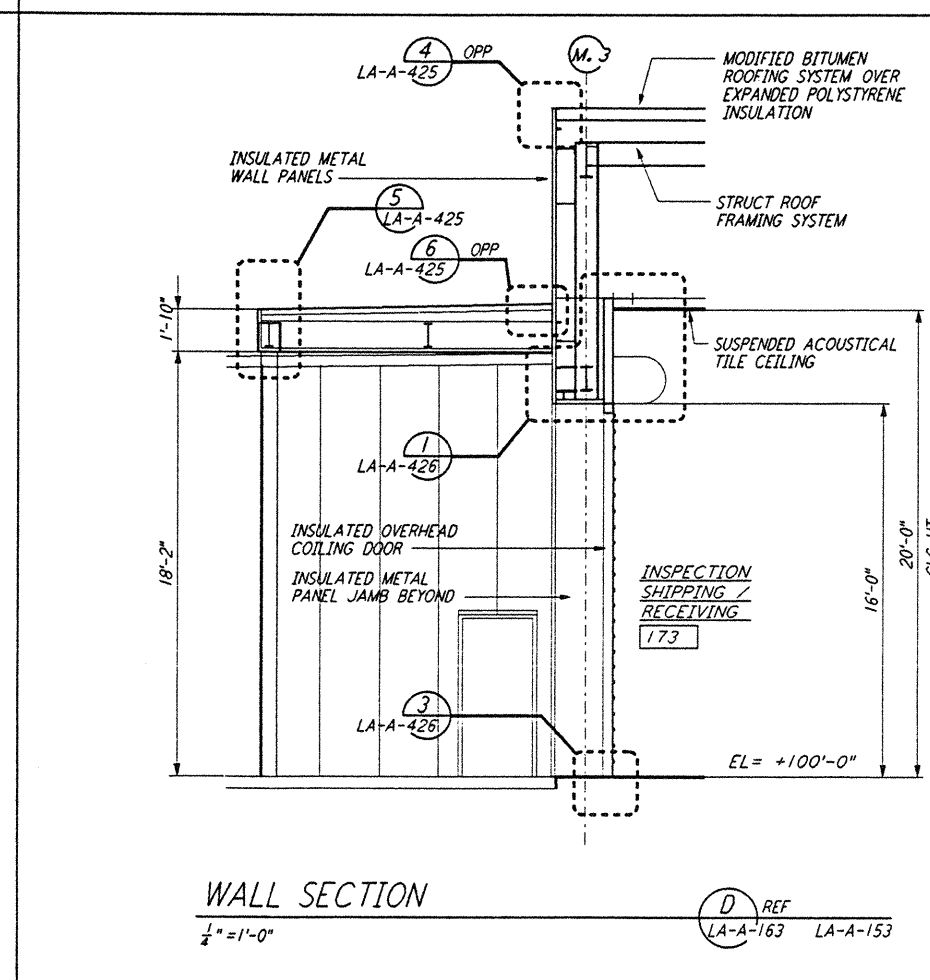
WALL SECTION
 $\frac{1}{4}'' = 1'-0''$ V REF LA-A-163 LA-A-153



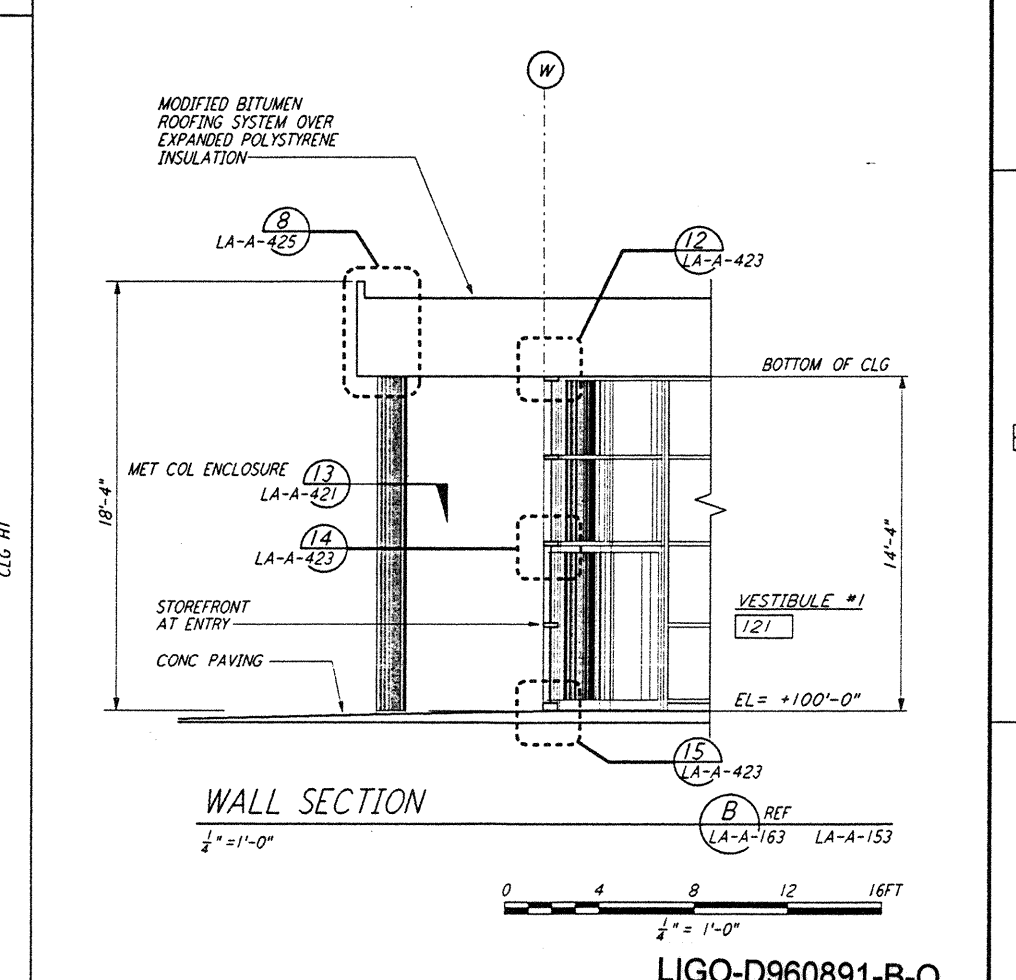
WALL SECTION
 $\frac{1}{4}'' = 1'-0''$ G REF LA-A-163 LA-A-153



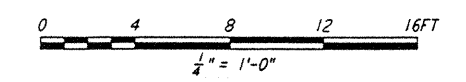
WALL SECTION
 $\frac{1}{4}'' = 1'-0''$ F REF LA-A-163 LA-A-153



WALL SECTION
 $\frac{1}{4}'' = 1'-0''$ C REF LA-A-163 LA-A-153



WALL SECTION
 $\frac{1}{4}'' = 1'-0''$ B REF LA-A-163 LA-A-153



LIGO-D960891-B-O

NO.	DATE	BY	CHKD	ENGR	PROJ	DESCRIPTION
B	6-14-96	CKT	BK	SF	TDM	FINAL DESIGN REVIEW
A	10/31/95	SF	SF	TDM		PRELIMINARY DESIGN REVIEW

DRAWN	CKT
CHECKED	
ENGINEER	
PROJ	

PARSONS
 100 WEST WALNUT STREET
 PASADENA, CALIFORNIA

LIGO
 CALIFORNIA INSTITUTE OF TECHNOLOGY
 MASSACHUSETTS INSTITUTE OF TECHNOLOGY

LASER INTERFEROMETER
 GRAVITATIONAL-WAVE OBSERVATORY
 SITE NO. 2 - LIVINGSTON, LOUISIANA

TITLE	ARCHITECTURAL CORNER STATION WALL SECTIONS SHEET 3
SCALE	PPI50969 8094
SHEET NUMBER	LA-A-163

LIGOLAF3.BDR