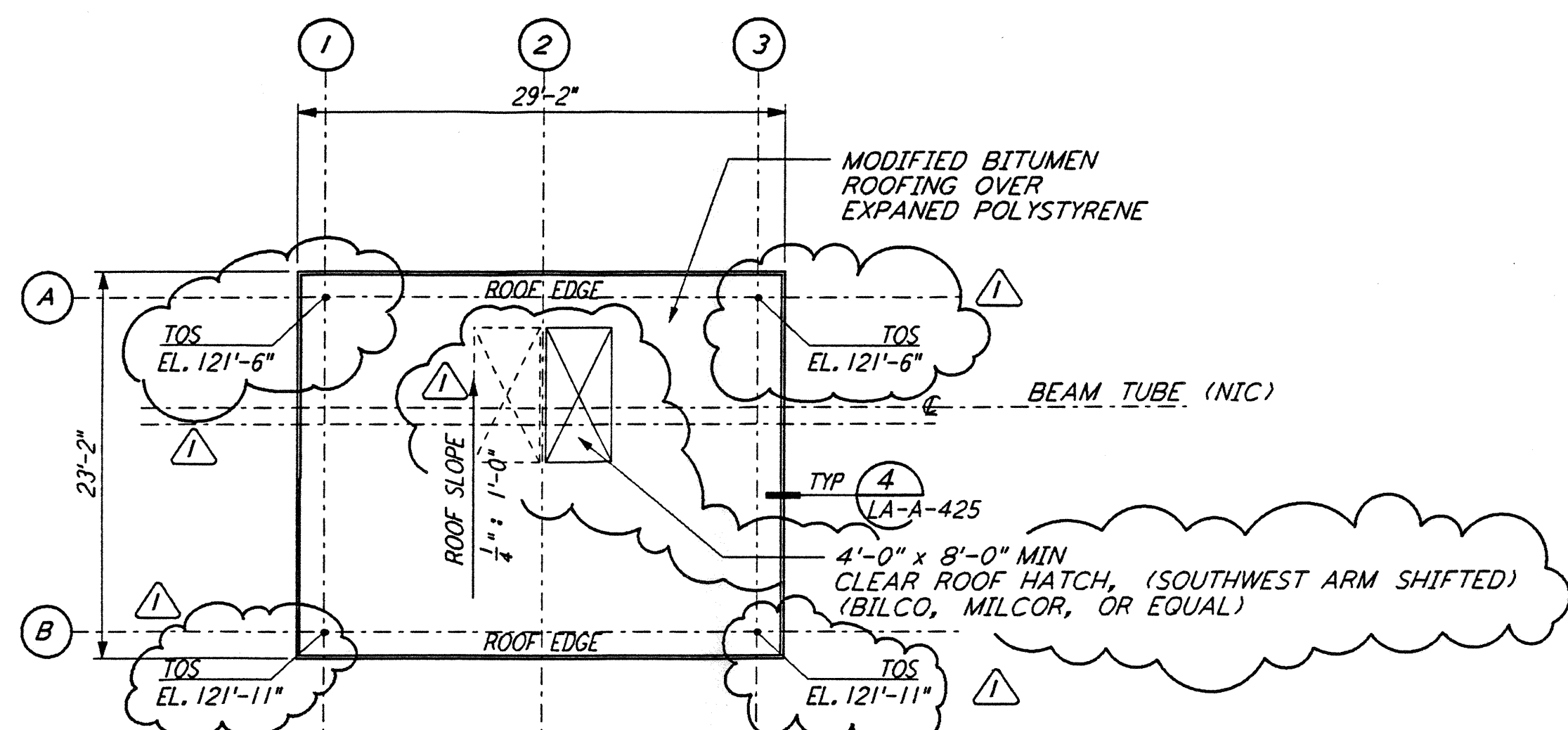
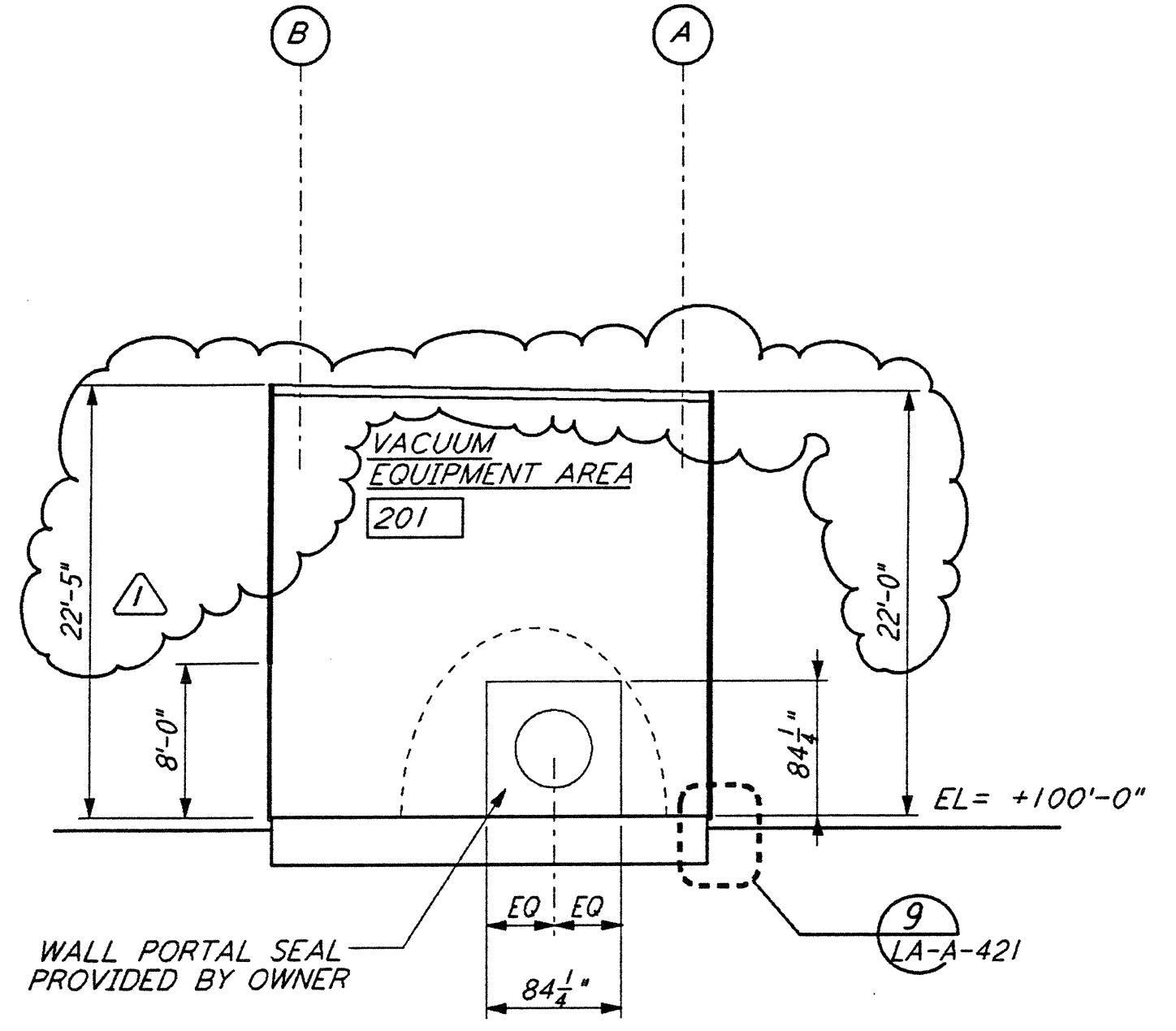


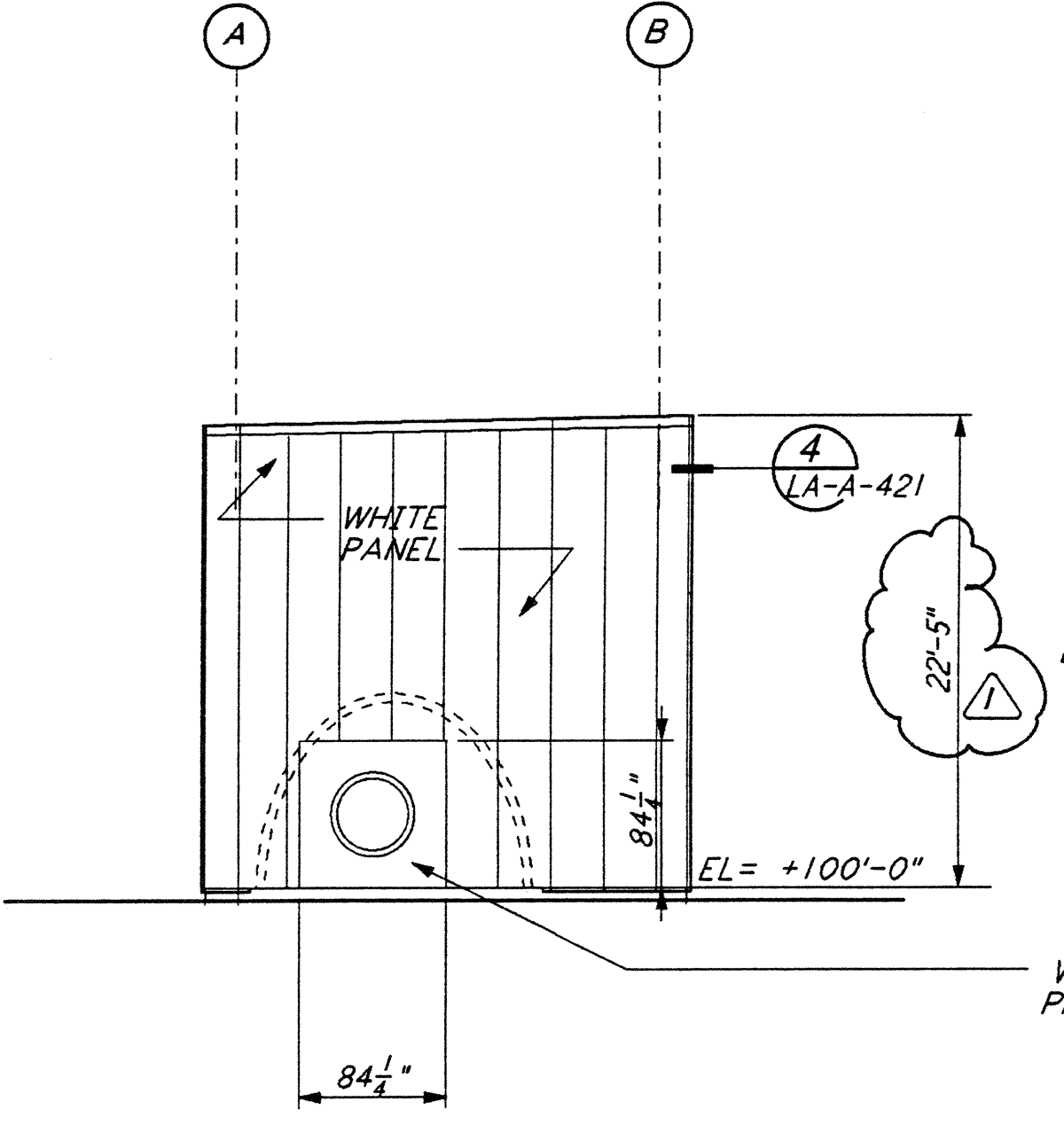
MID STATION "A" / "B" REFLECTED CEILING PLAN  
 1/8" = 1'-0" (LA-A-201)



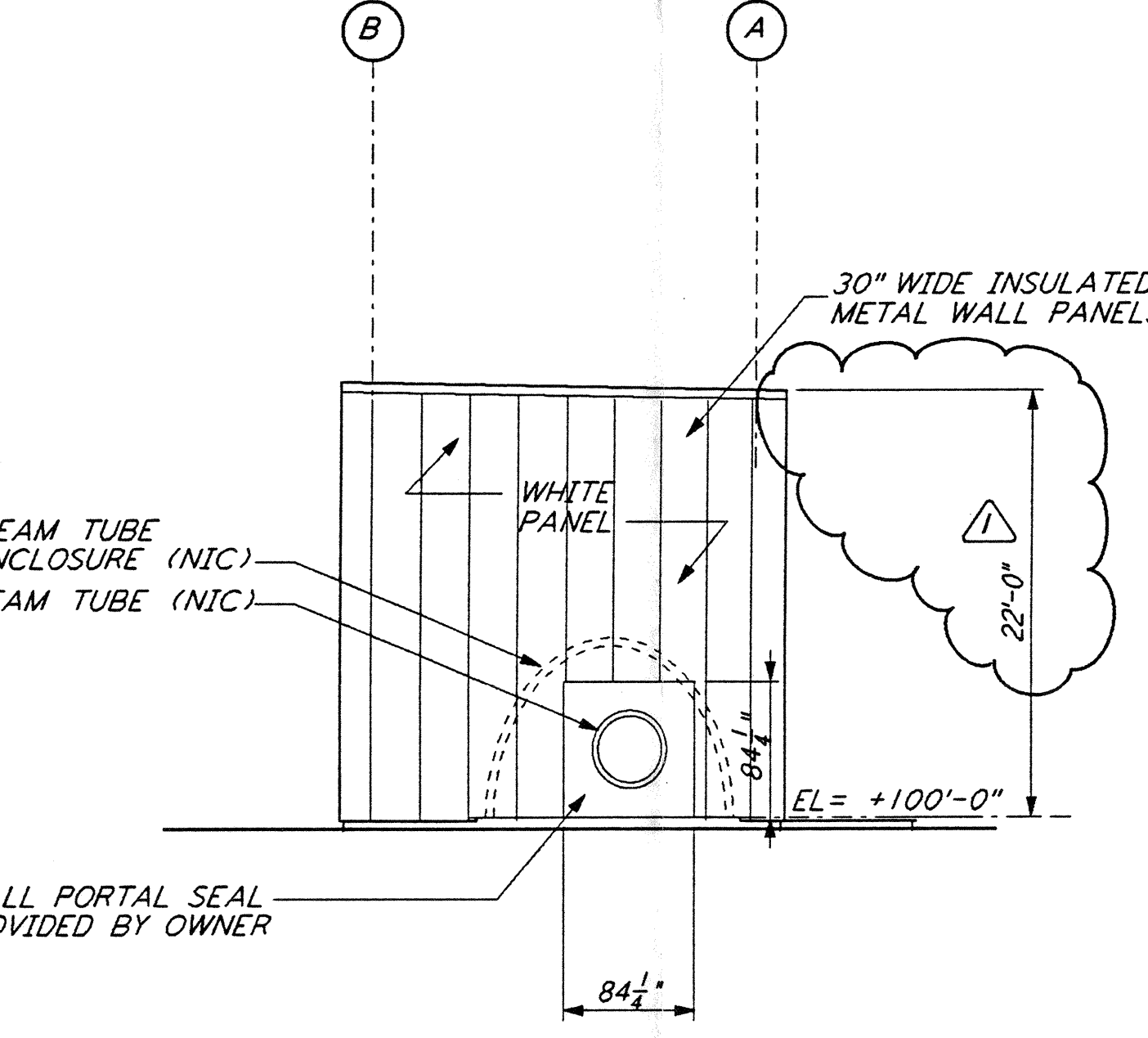
MID STATION "A" / "B" ROOF PLAN  
 1/8" = 1'-0" (LA-A-201)



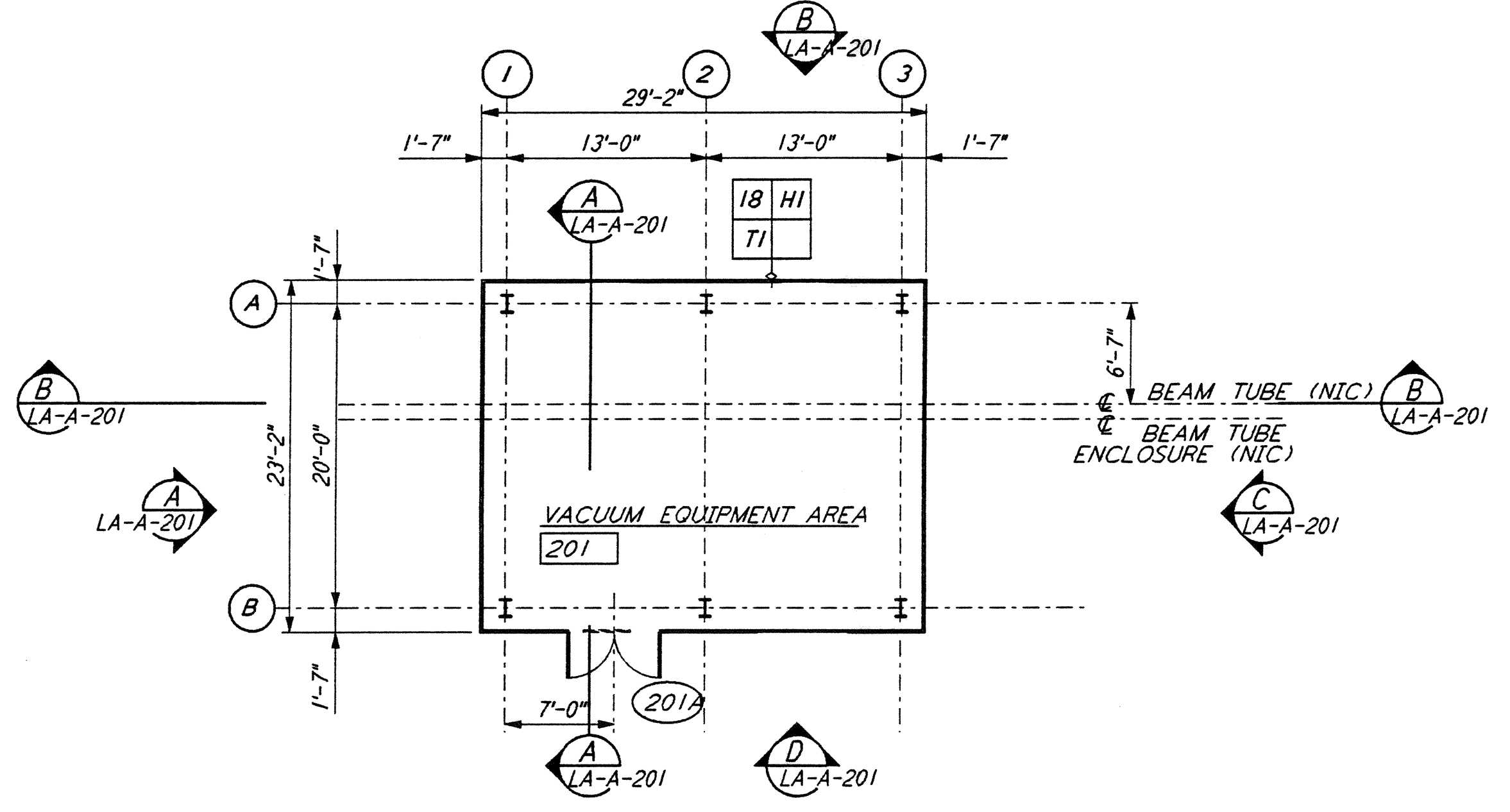
SECTION A-A  
 1/8" = 1'-0" (LA-A-201)



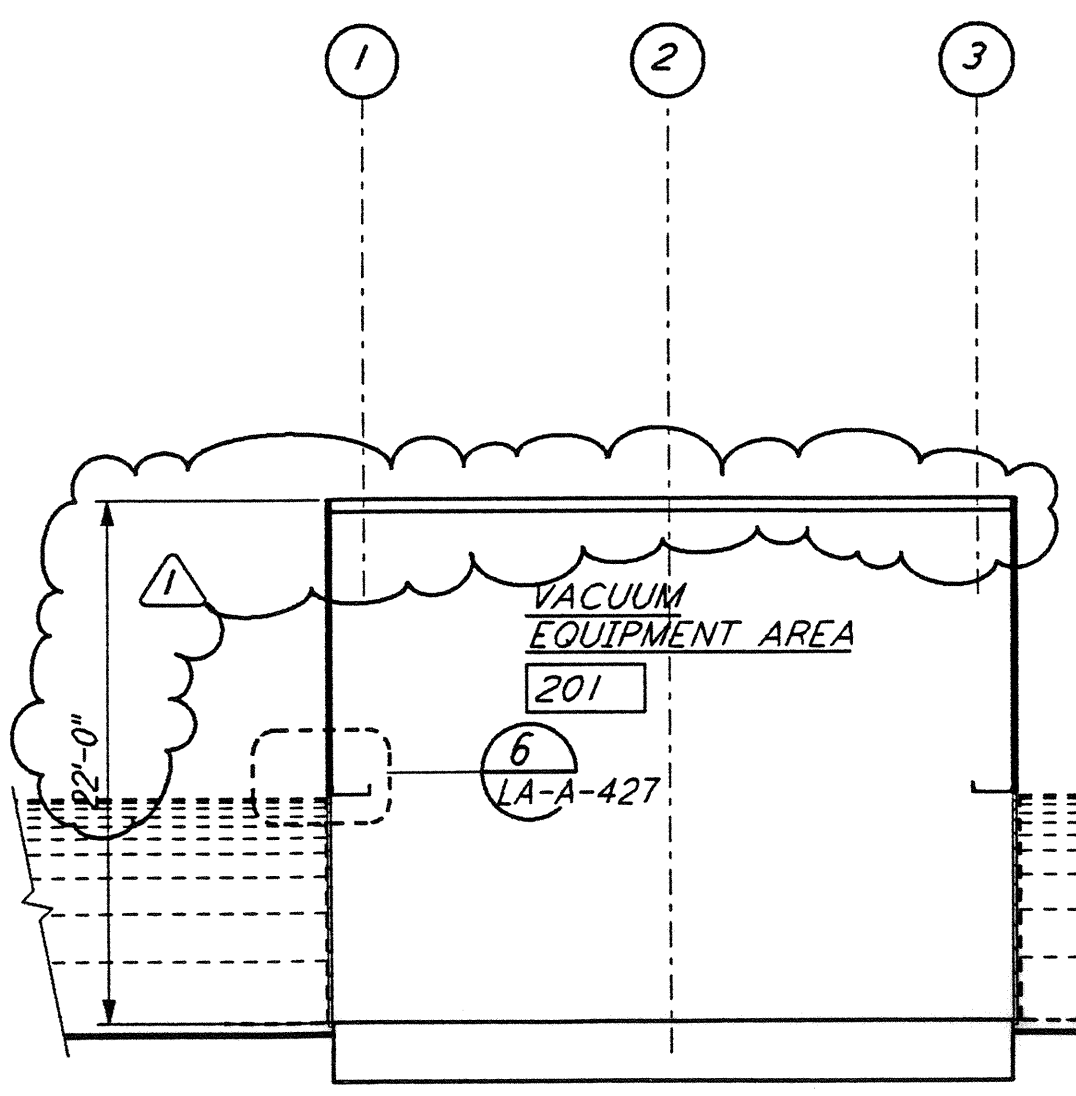
ELEVATION A-A  
 1/8" = 1'-0" (LA-A-201)



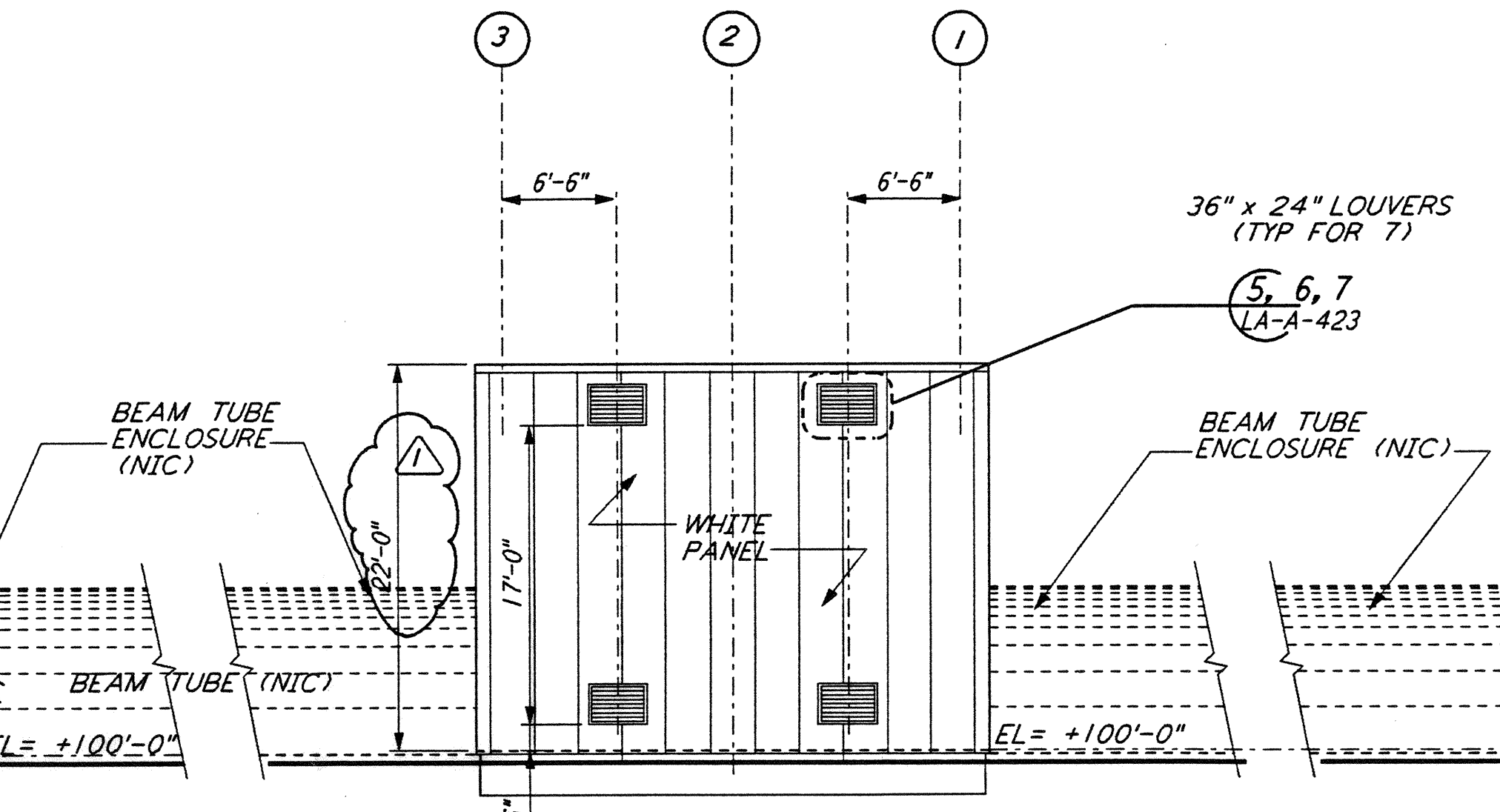
ELEVATION C-C  
 1/8" = 1'-0" (LA-A-201)



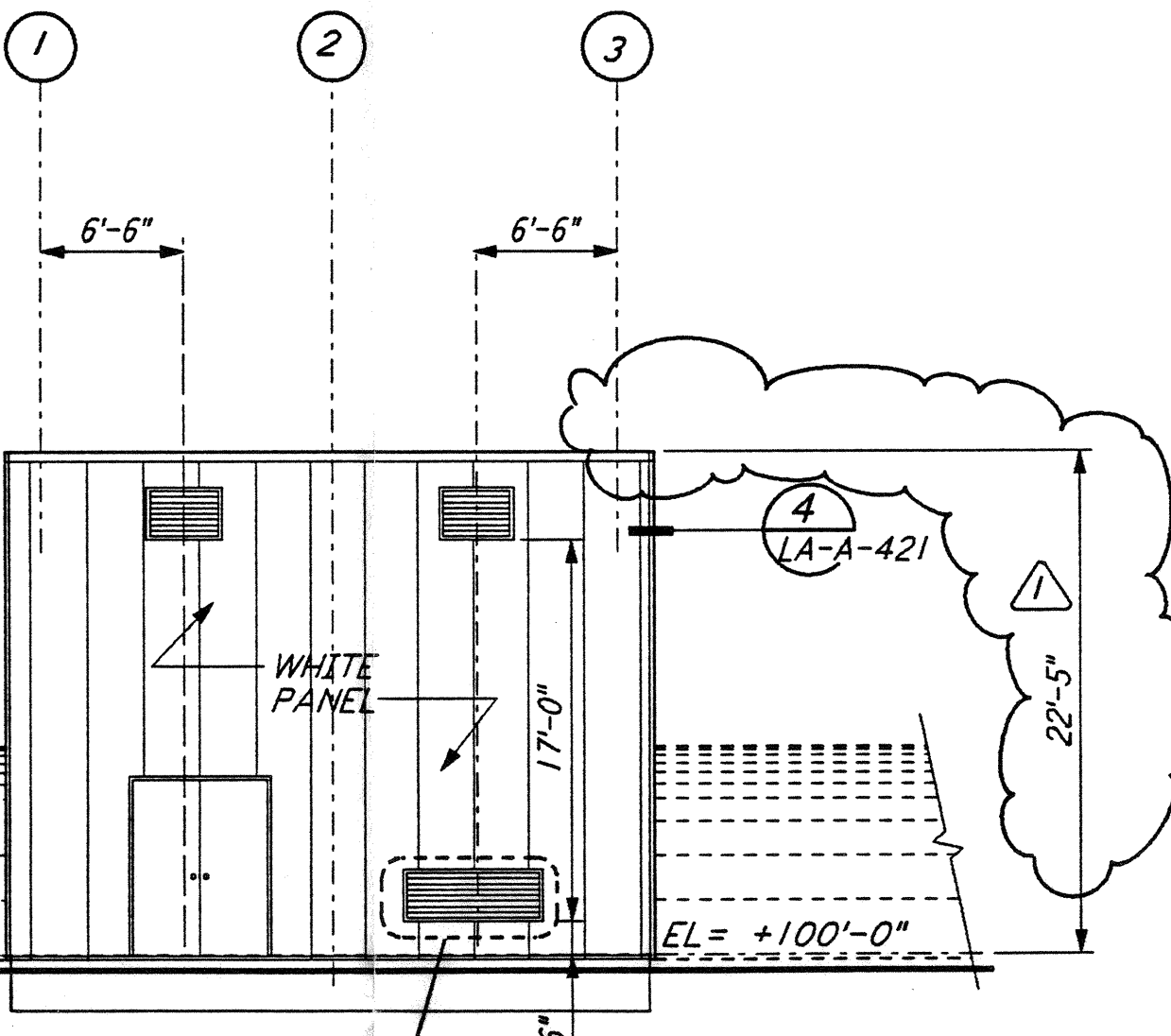
MID STATION "A" FLOOR PLAN  
 1/8" = 1'-0" (LA-A-201)



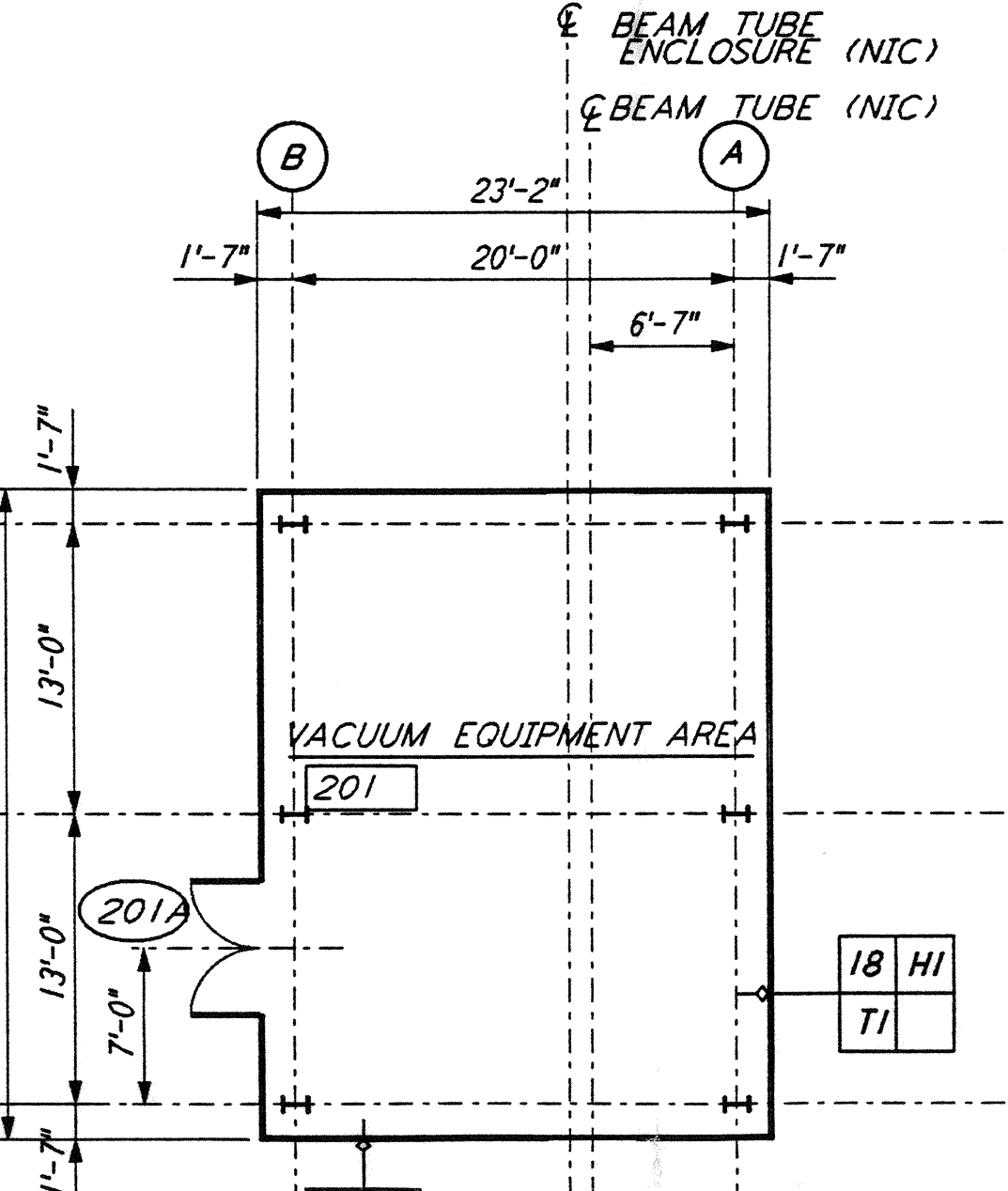
SECTION B-B  
 1/8" = 1'-0" (LA-A-201)



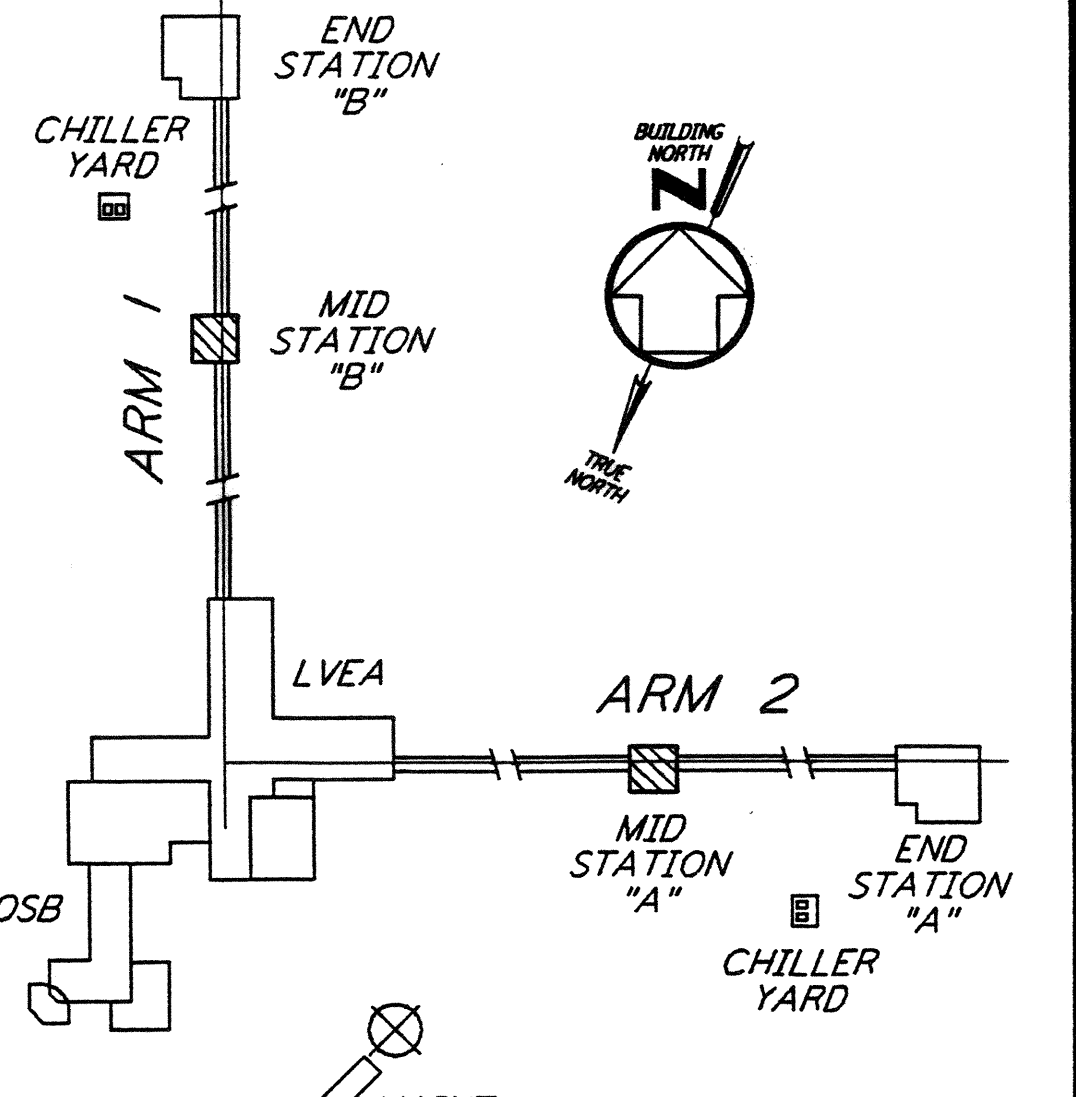
ELEVATION B-B  
 1/8" = 1'-0" (LA-A-201)



ELEVATION D-D  
 1/8" = 1'-0" (LA-A-201)



MID STATION "B" FLOOR PLAN  
 1/8" = 1'-0" (LA-A-201)



KEY PLAN

LIGO-D960892-01-0  
 DATUM POINT EL +100.00 = 61.00' (MID STATION "B")  
 DATUM POINT EL +100.00 = 63.00' (MID STATION "A")

This document and the design it covers are the property of PARSONS. They are loaned only with the borrower's expressed written agreement that they will not be reproduced, copied, loaned, exhibited, or used in any other way, except by written consent from PARSONS to the borrower.

NO.	DATE	BY	CHKD	ENGR	PROJ	DESCRIPTION
1	2-28-97	CKT	TB	AK	TJM	MID STATION REVISION

ISSUED FOR CONSTRUCTION	CKT	11-15-96
DRAWN	TB	11-15-96
CHECKED	SF	11-15-96
ENGINEER	MDW	11-15-96
PROJ		



**PARSONS**  
 100 WEST WALNUT STREET  
 PASADENA, CALIFORNIA

**LIGO**  
 CALIFORNIA INSTITUTE OF TECHNOLOGY  
 MASSACHUSETTS INSTITUTE OF TECHNOLOGY

LASER INTERFEROMETER  
 GRAVITATIONAL-WAVE OBSERVATORY  
 SITE NO. 2 - LIVINGSTON, LOUISIANA

TITLE	SCALE	CONTRACT NUMBER	PROJECT NUMBER
ARCHITECTURAL MID STATIONS PLANS/SECTIONS/ELEVATIONS	AS NOTED	PP150969	8094
SHEET NUMBER	REVISIONS		
<b>LA-A-201</b>			