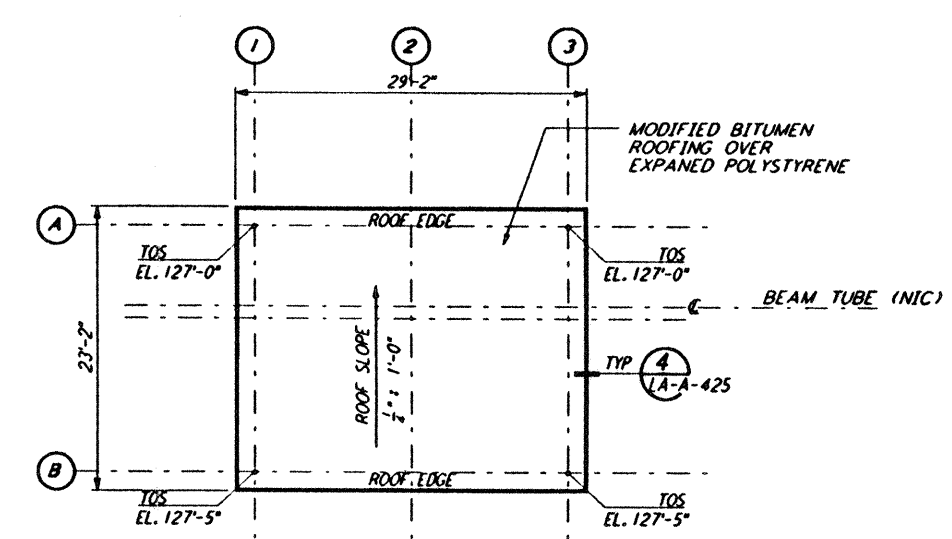
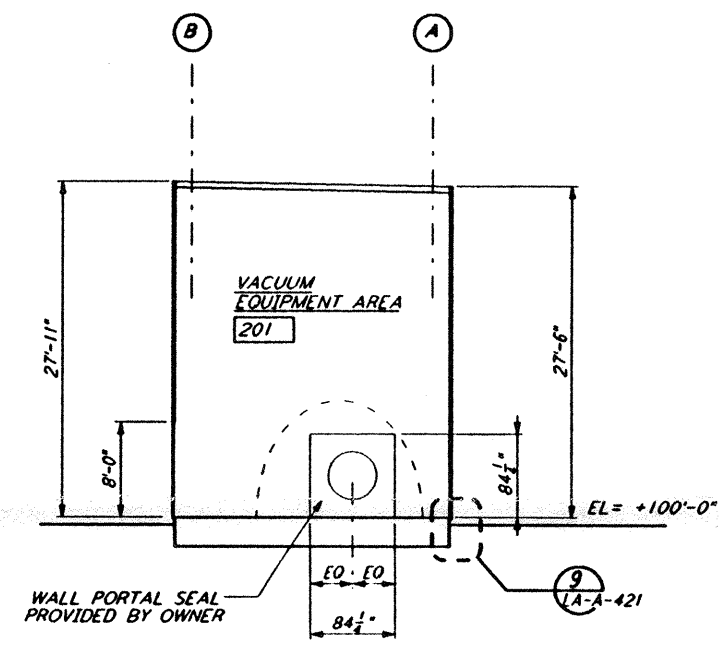


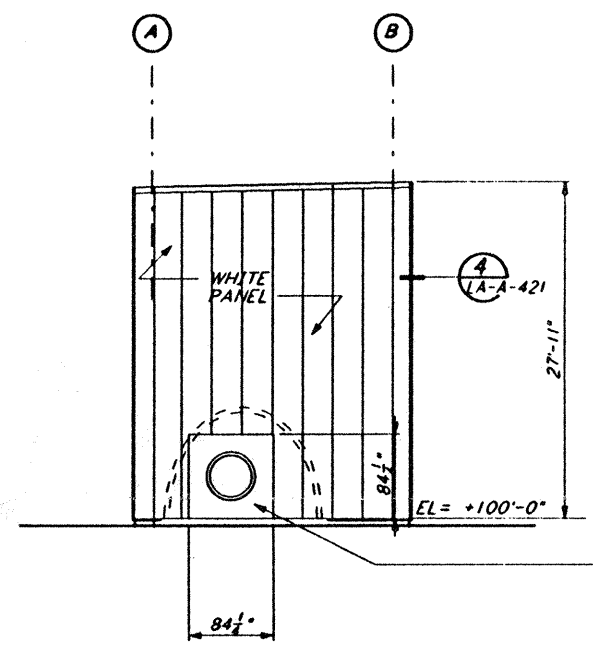
MID STATION "A" / "B" REFLECTED CEILING PLAN
 1/8" = 1'-0" (LA-A-201)



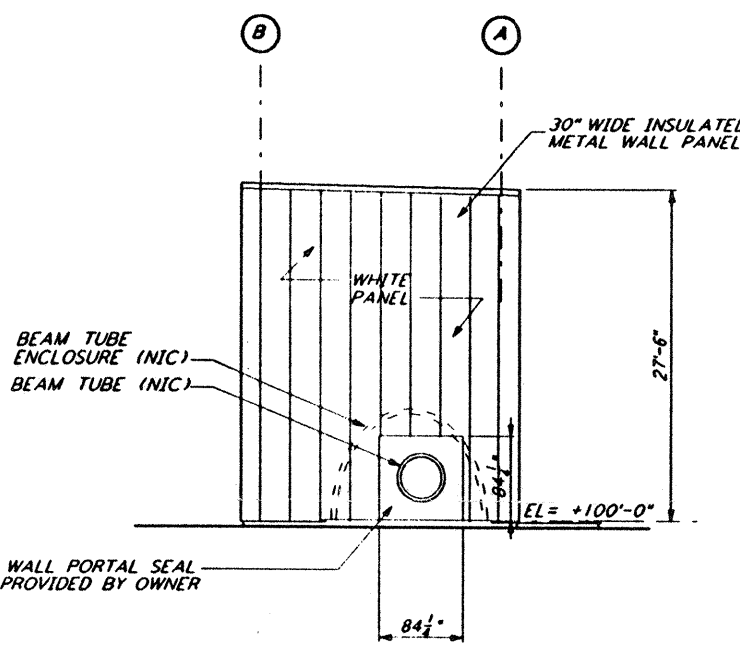
MID STATION "A" / "B" ROOF PLAN
 1/8" = 1'-0" (LA-A-201)



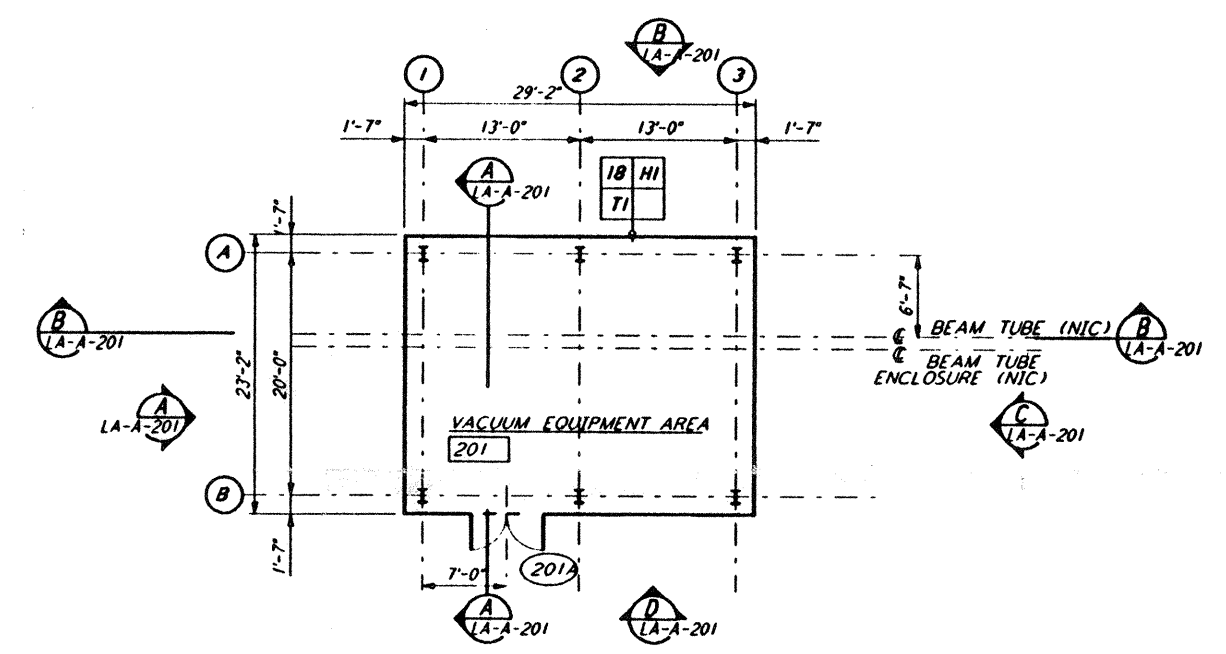
SECTION A-A-201
 1/8" = 1'-0"



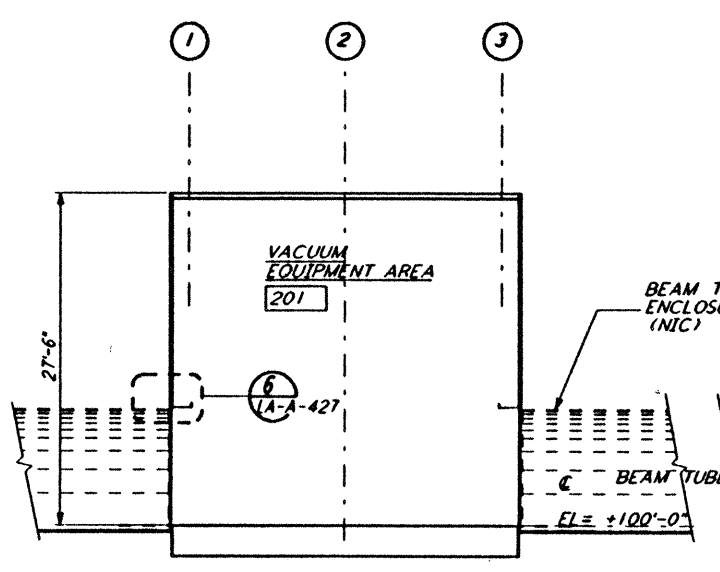
ELEVATION A-A-201
 1/8" = 1'-0"



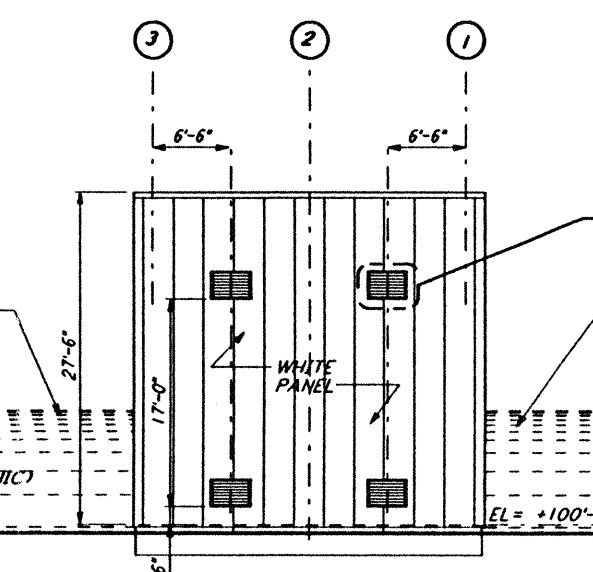
ELEVATION C-C-201
 1/8" = 1'-0"



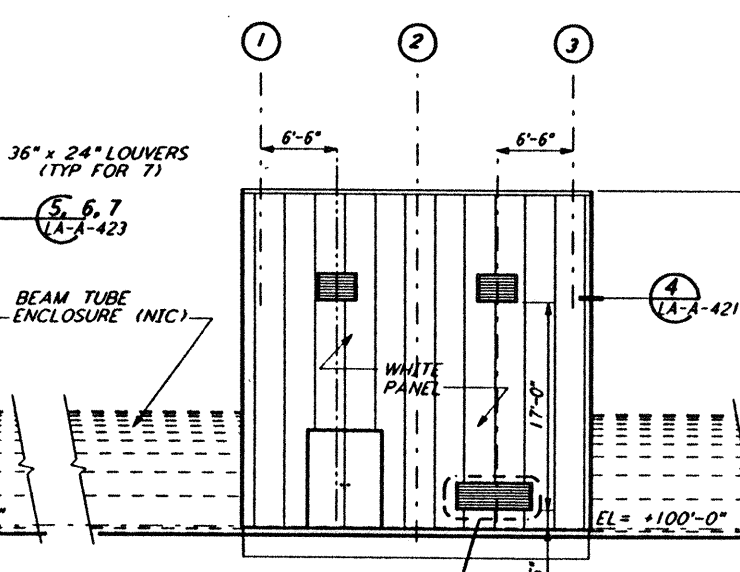
MID STATION "A" FLOOR PLAN
 1/8" = 1'-0" (LA-A-201)



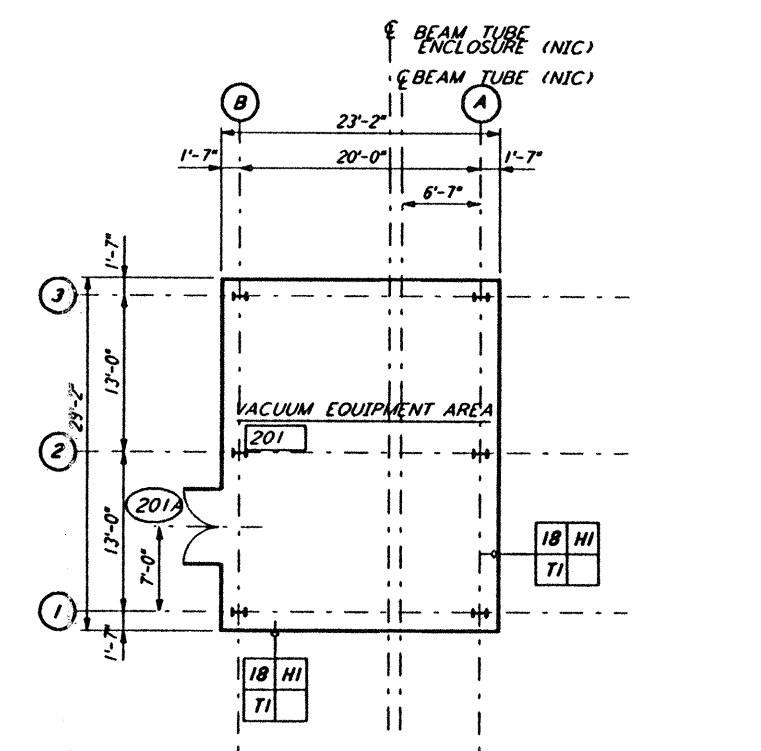
SECTION B-B-201
 1/8" = 1'-0"



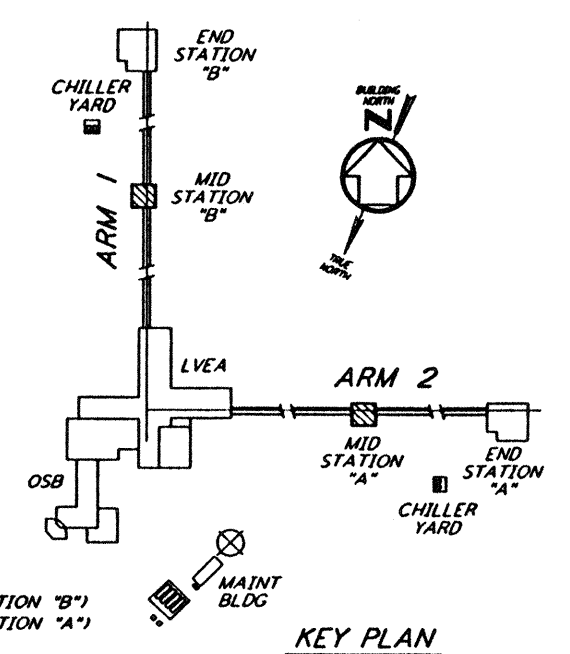
ELEVATION B-B-201
 1/8" = 1'-0"



ELEVATION D-D-201
 1/8" = 1'-0"



MID STATION "B" FLOOR PLAN
 1/8" = 1'-0" (LA-A-201)



KEY PLAN

0 8 16 24 32 FT
 1/8" = 1'-0"
 DATUM POINT EL +100.00 = 61.00' (MID STATION "B")
 DATUM POINT EL +100.00 = 63.00' (MID STATION "A")

not be reproduced, copied, loaned, exhibited, or used in any other way, except by written consent from PARSONS to the borrower.

This document and the design it covers are the property of PARSONS. They are loaned only with the borrower's expressed written agreement that they will

NO.	DATE	BY	CHKD	ENGR	PROJ	DESCRIPTION
B	7-24-96	CTK	TB	BK	TDMD	ISSUED FOR BID
A	6-14-96	CTK	BK	SF	TDMD	FINAL DESIGN REVIEW

DRAWN	CTK
CHECKED	
ENGINEER	
PROJ	

PARSONS
 100 WEST WALNUT STREET
 PASADENA, CALIFORNIA

LIGO
 CALIFORNIA INSTITUTE OF TECHNOLOGY
 MASSACHUSETTS INSTITUTE OF TECHNOLOGY

LASER INTERFEROMETER
 GRAVITATIONAL-WAVE OBSERVATORY
 SITE NO. 2 - LIVINGSTON, LOUISIANA

TITLE: ARCHITECTURAL MID STATIONS PLANS/SECTIONS/ELEVATIONS
 AS NOTED PPI 50969 8094
LA-A-201

LIGO-D960892-B-0

Tue Jul 23 10:13:11 1996 s3-v18b2 J:\PLOTS\QUEUES\18B2\AR201.PR