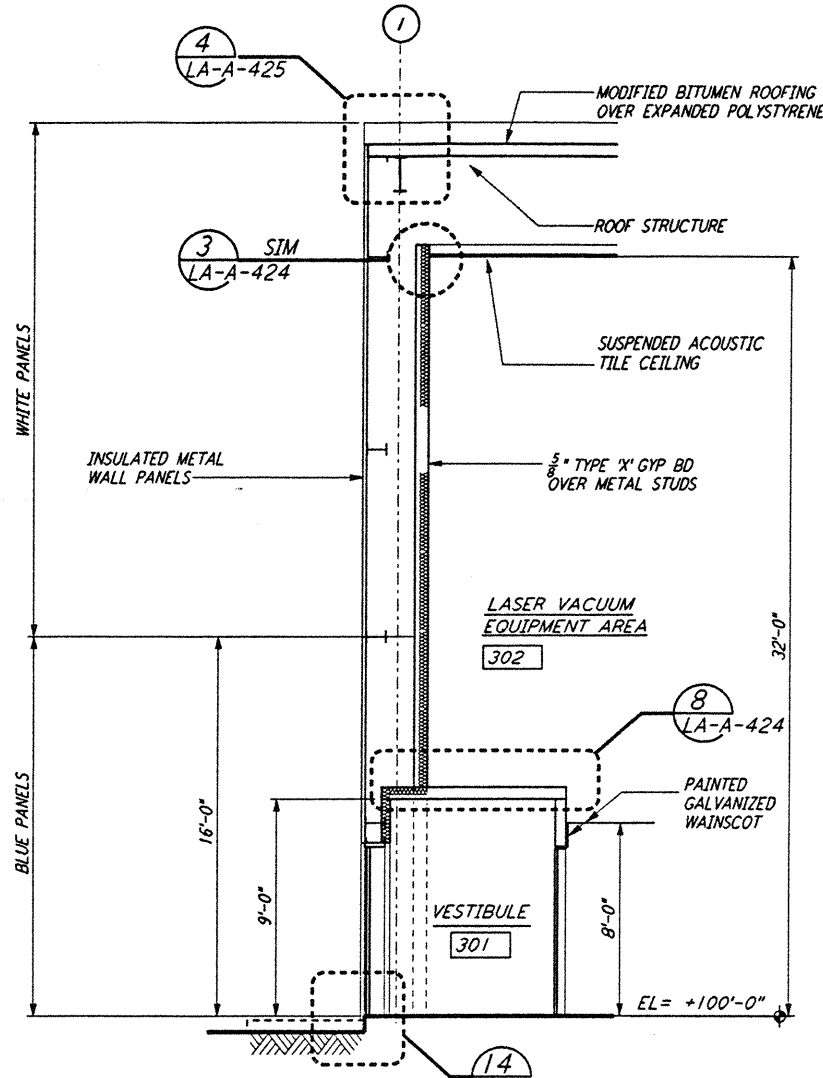
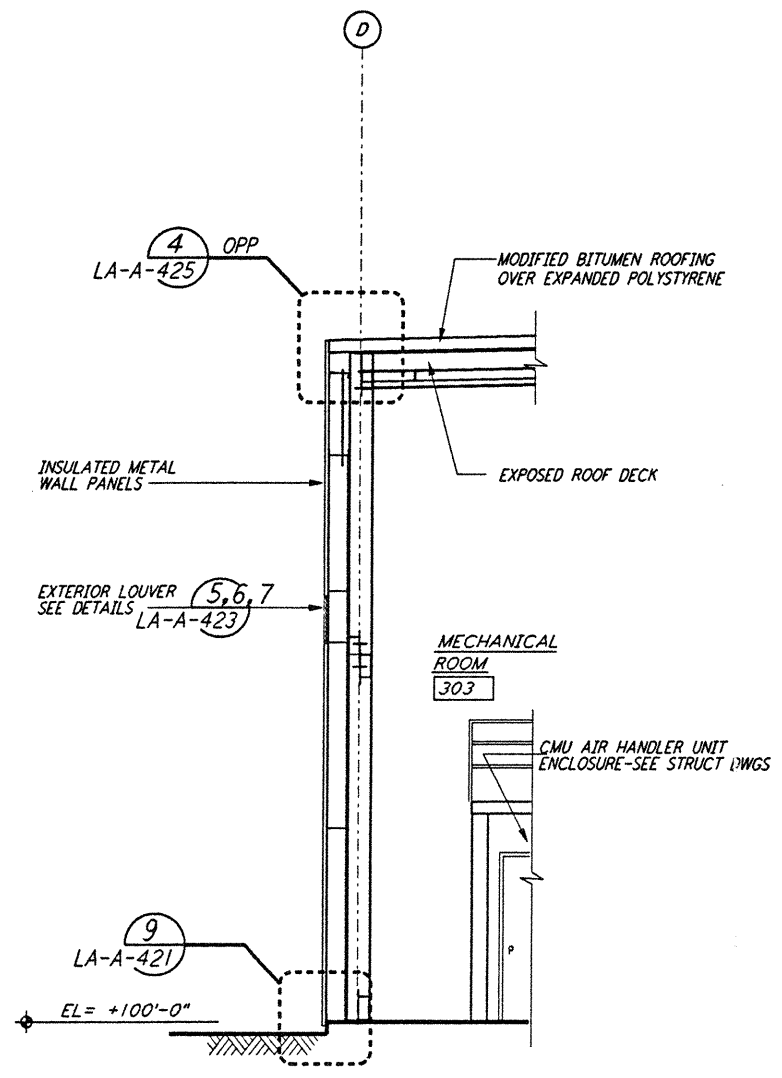


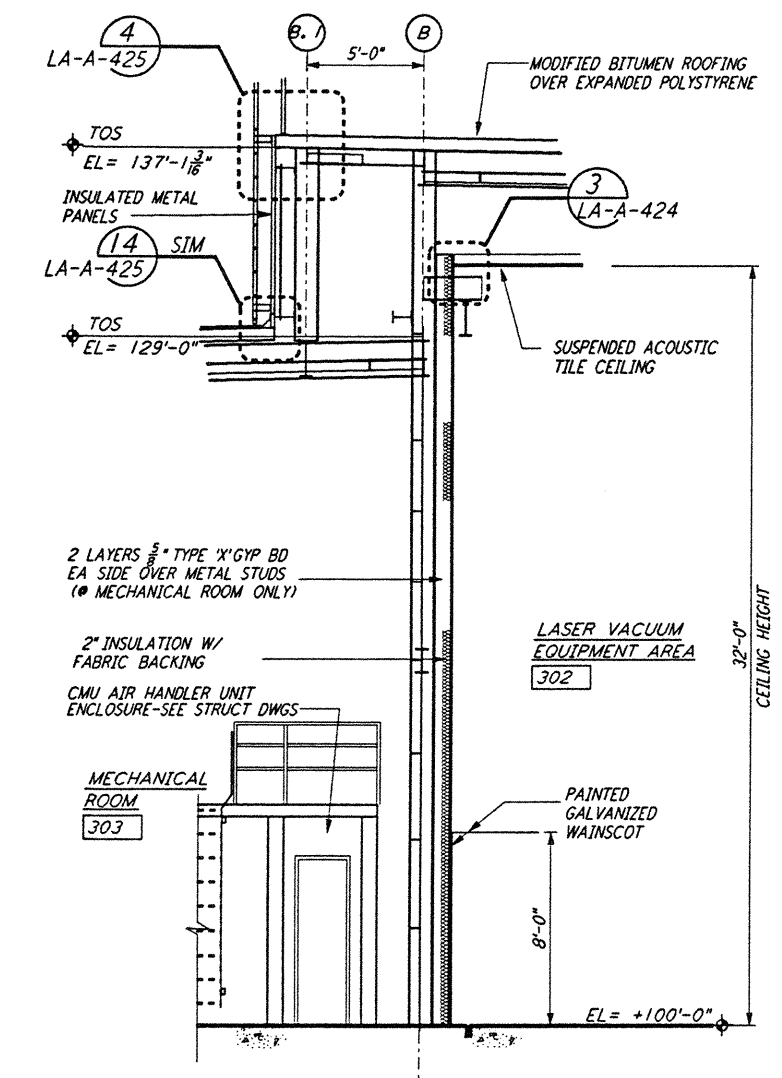
This document and the design it covers are the property of PARSONS. They are loaned only with the borrower's expressed written agreement that they will not be reproduced, copied, loaned, exhibited, or used in any other way, except by written consent from PARSONS to the borrower.



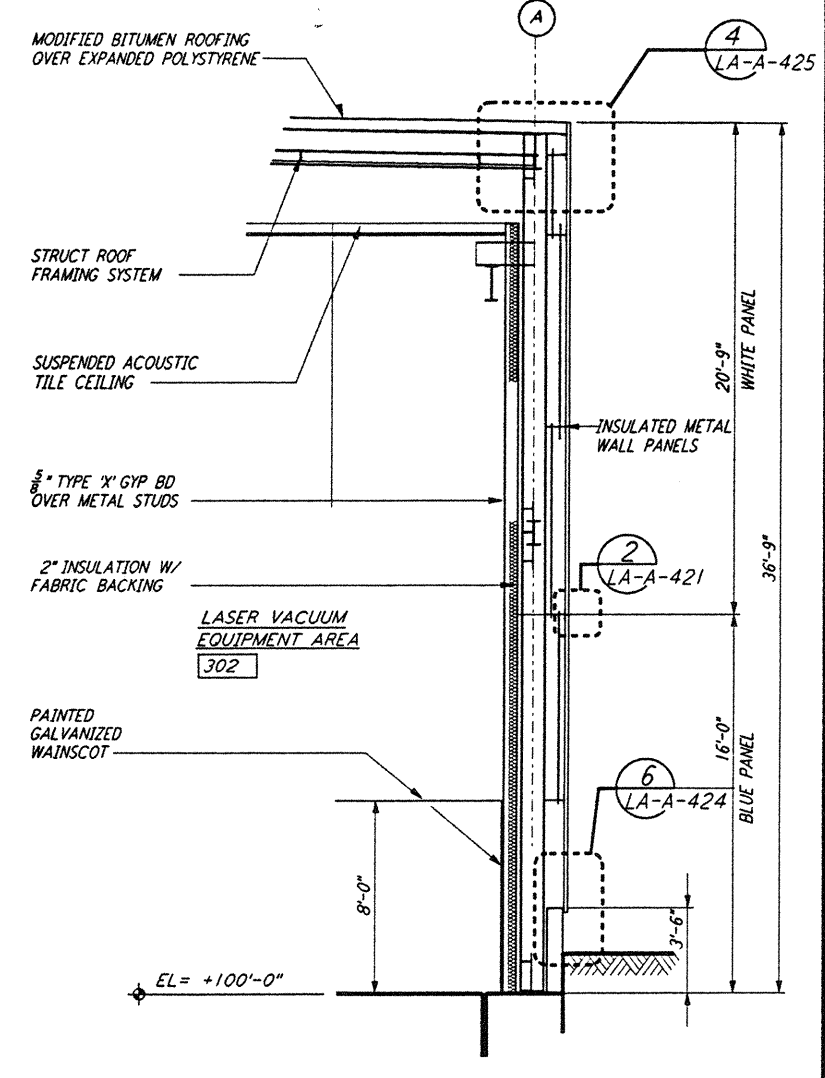
**WALL SECTION**  
 1/4" = 1'-0"  
 G REF  
 LA-A-261 LA-A-251



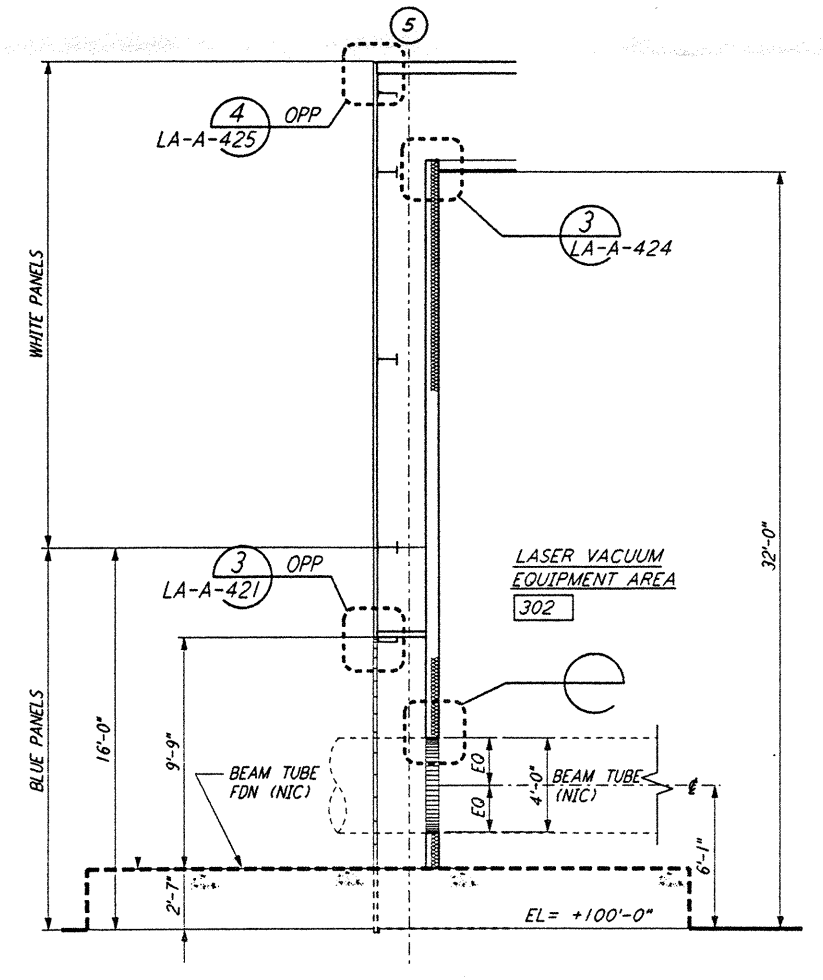
**WALL SECTION**  
 1/4" = 1'-0"  
 E REF  
 LA-A-261 LA-A-251



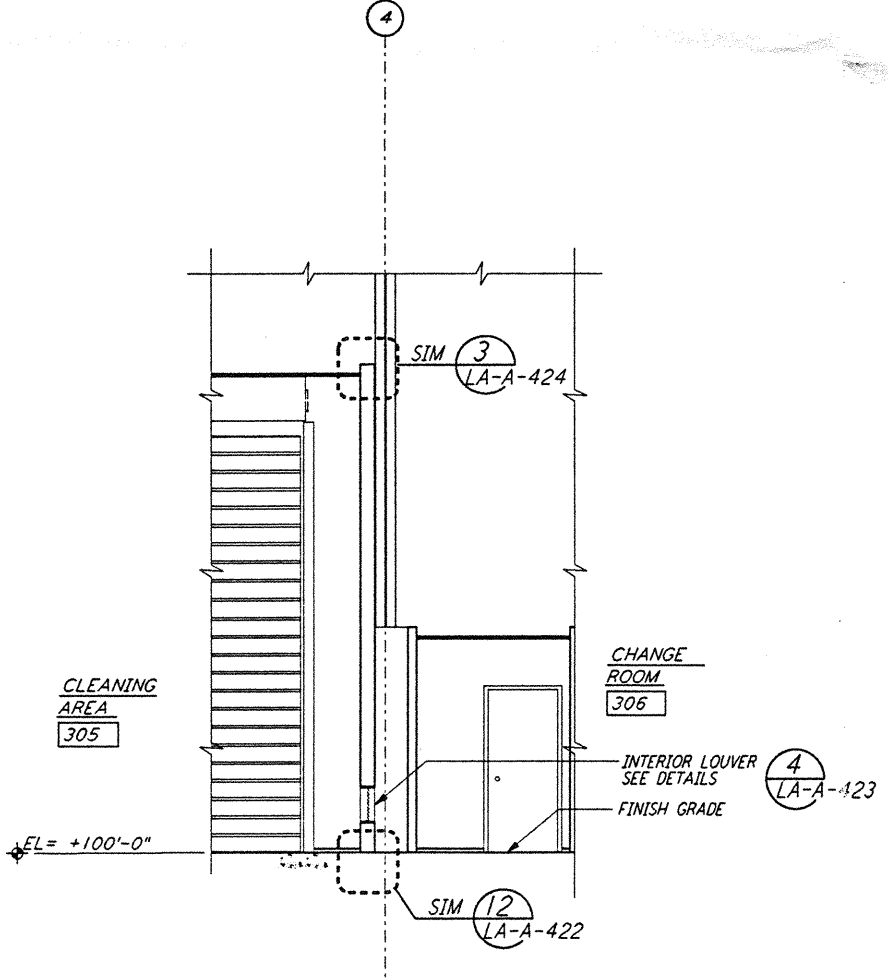
**WALL SECTION**  
 1/4" = 1'-0"  
 C REF  
 LA-A-261 LA-A-251



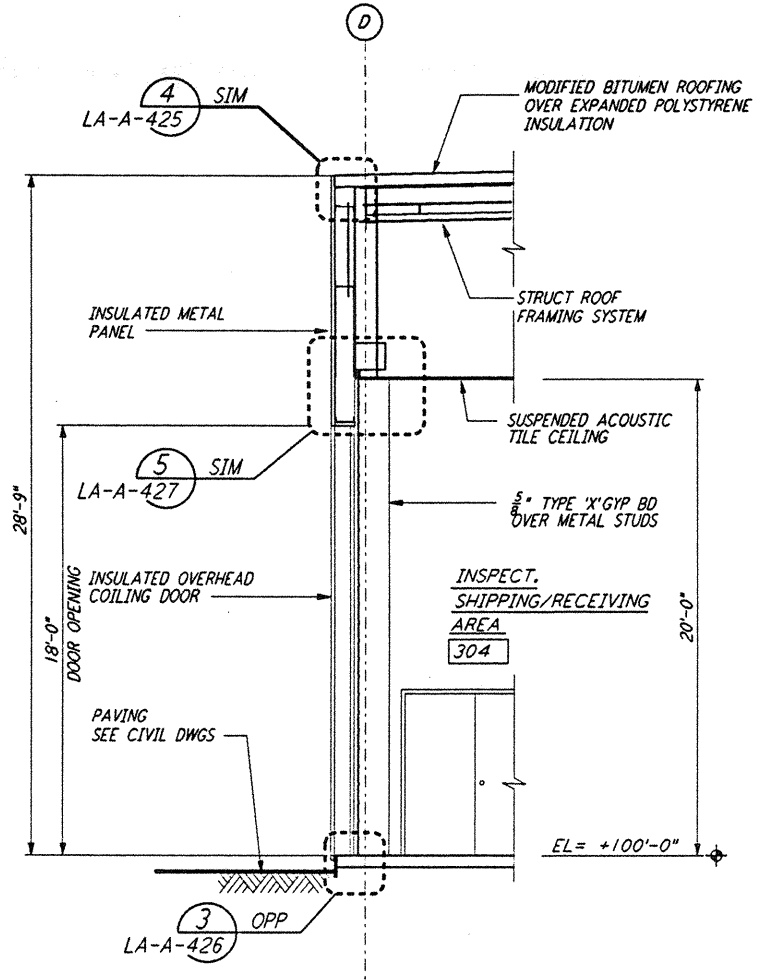
**WALL SECTION**  
 1/4" = 1'-0"  
 A REF  
 LA-A-261 LA-A-251



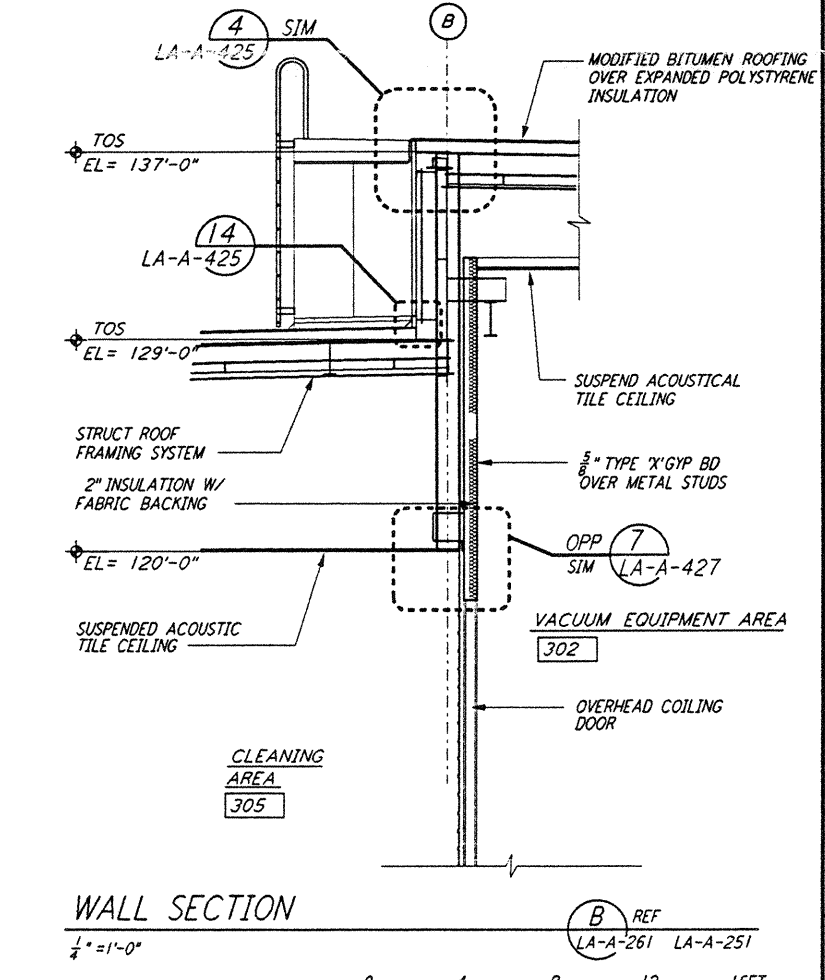
**WALL SECTION**  
 1/4" = 1'-0"  
 H REF  
 LA-A-261 LA-A-201 LA-A-202



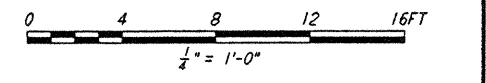
**WALL SECTION**  
 1/4" = 1'-0"  
 F REF  
 LA-A-261 LA-A-251



**WALL SECTION**  
 1/4" = 1'-0"  
 D REF  
 LA-A-261 LA-A-251



**WALL SECTION**  
 1/4" = 1'-0"  
 B REF  
 LA-A-261 LA-A-251



DATUM POINT EL +100.00 = 57.46' ( END STATION "B")  
 DATUM POINT EL +100.00 = 61.49' ( END STATION "A")

LIGO-D960897-B-0

NO.	DATE	BY	CHKD	ENGR	PROJ	DESCRIPTION
B	6-14-96	CTK	BK	SF	TDM	FINAL DESIGN REVIEW
A	10/31/95	SF	SF	TDM		PRELIMINARY DESIGN REVIEW

DRAWN	CKT
CHECKED	
ENGINEER	
PROJ	

**PARSONS**  
 100 WEST WALNUT STREET  
 PASADENA, CALIFORNIA

**LIGO**  
 CALIFORNIA INSTITUTE OF TECHNOLOGY  
 MASSACHUSETTS INSTITUTE OF TECHNOLOGY

LASER INTERFEROMETER  
 GRAVITATIONAL-WAVE OBSERVATORY  
 SITE NO. 2 - LIVINGSTON, LOUISIANA

ARCHITECTURAL  
 MID & END STATIONS  
 WALL SECTIONS

PP150969 8094  
**LA-A-261**