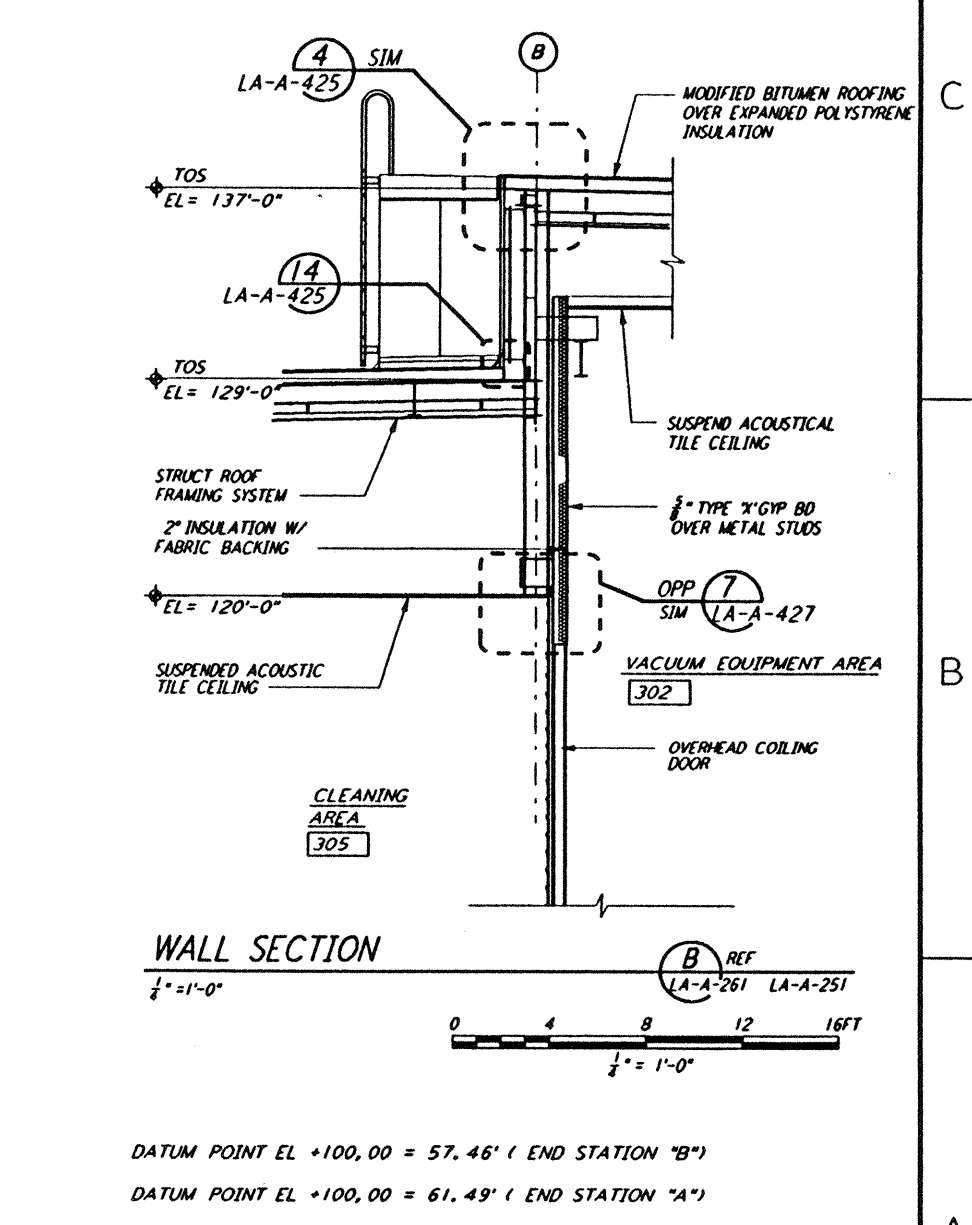
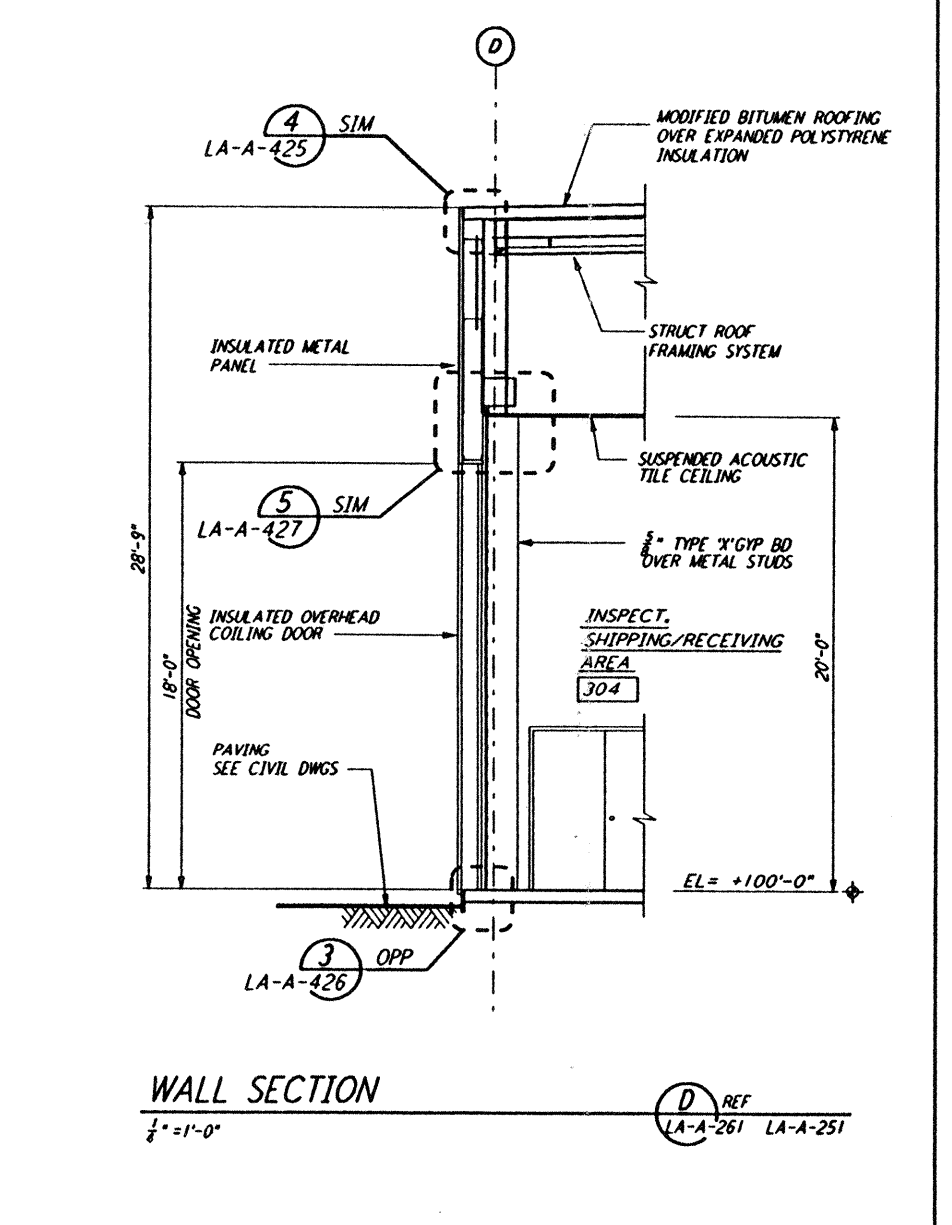
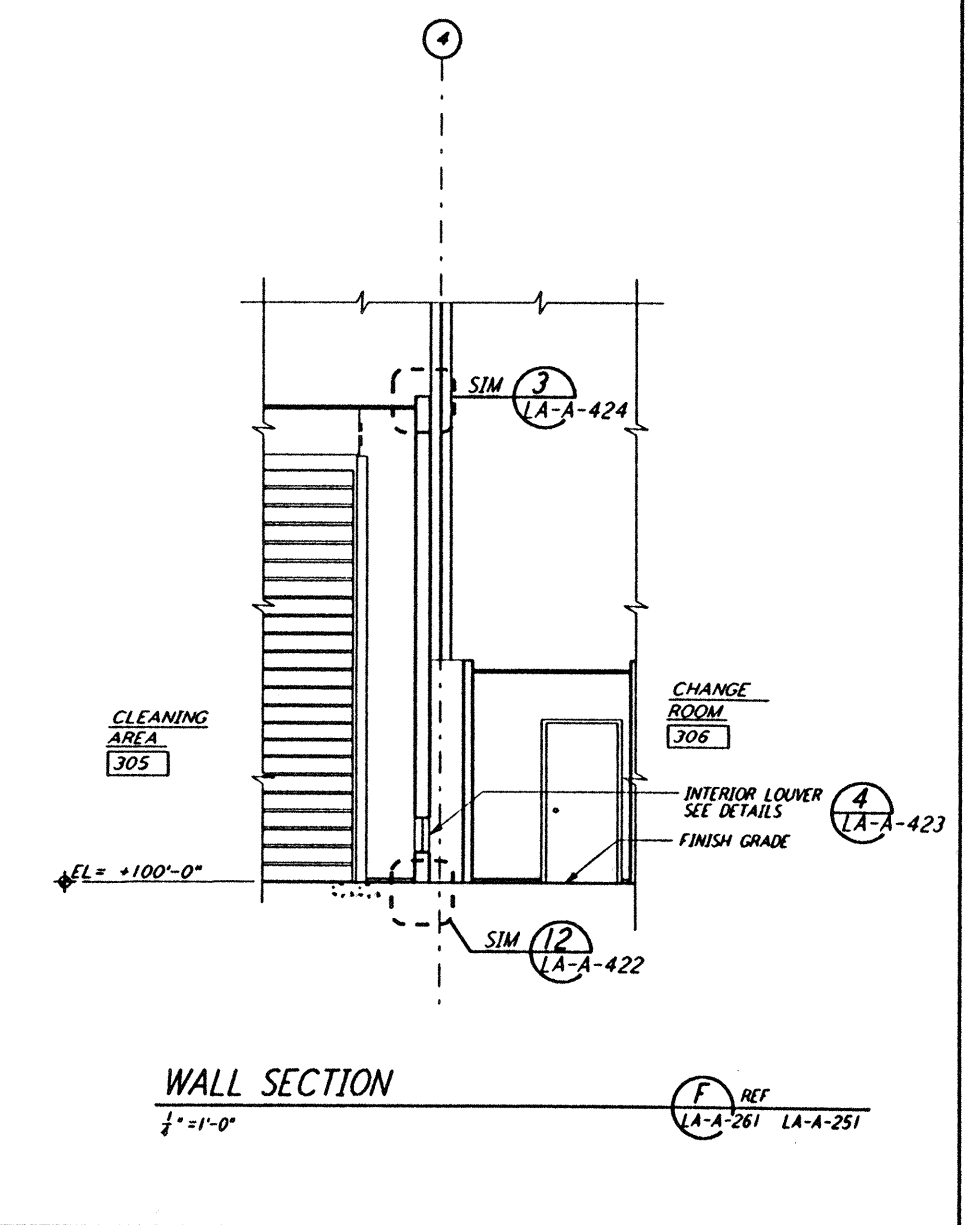
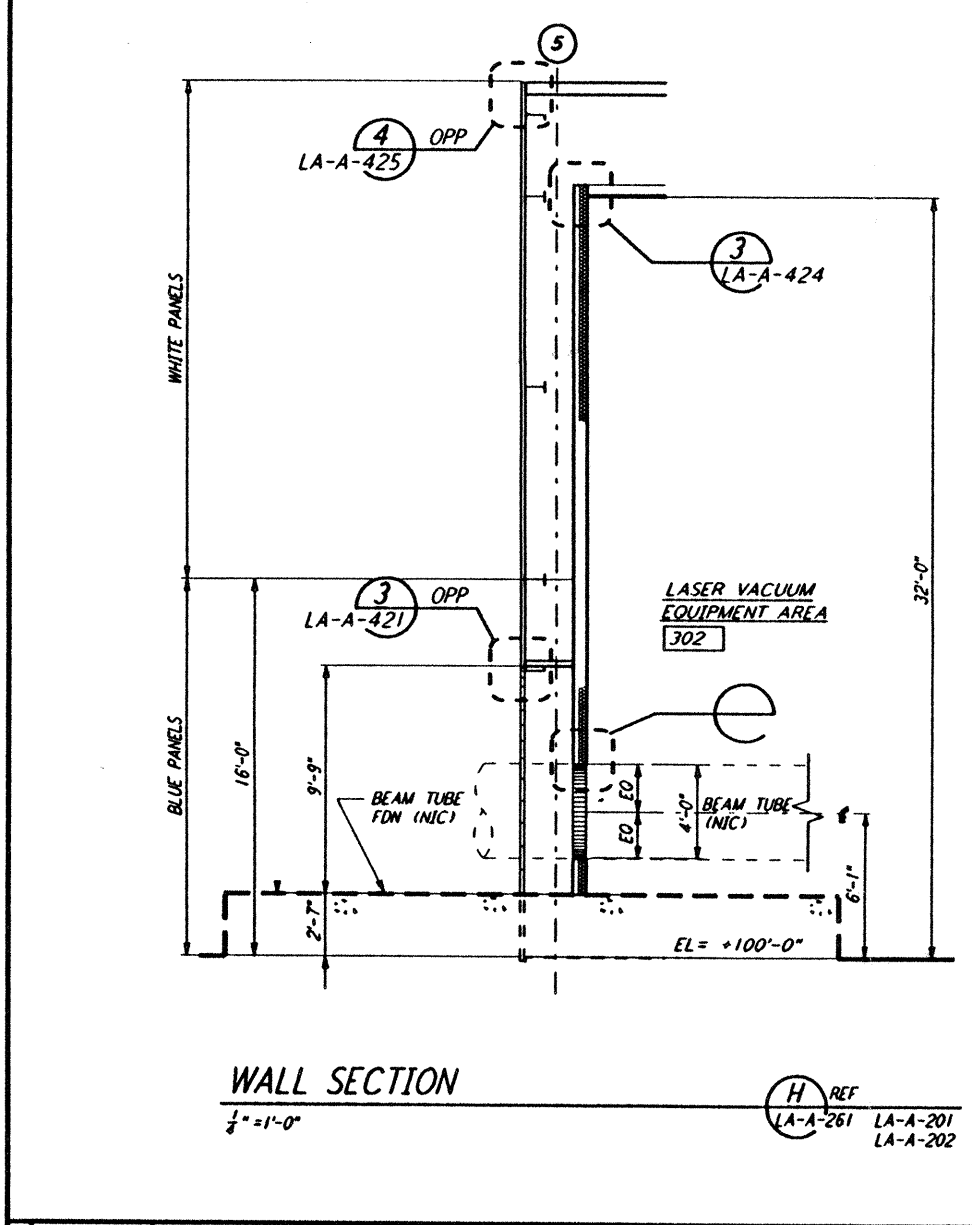
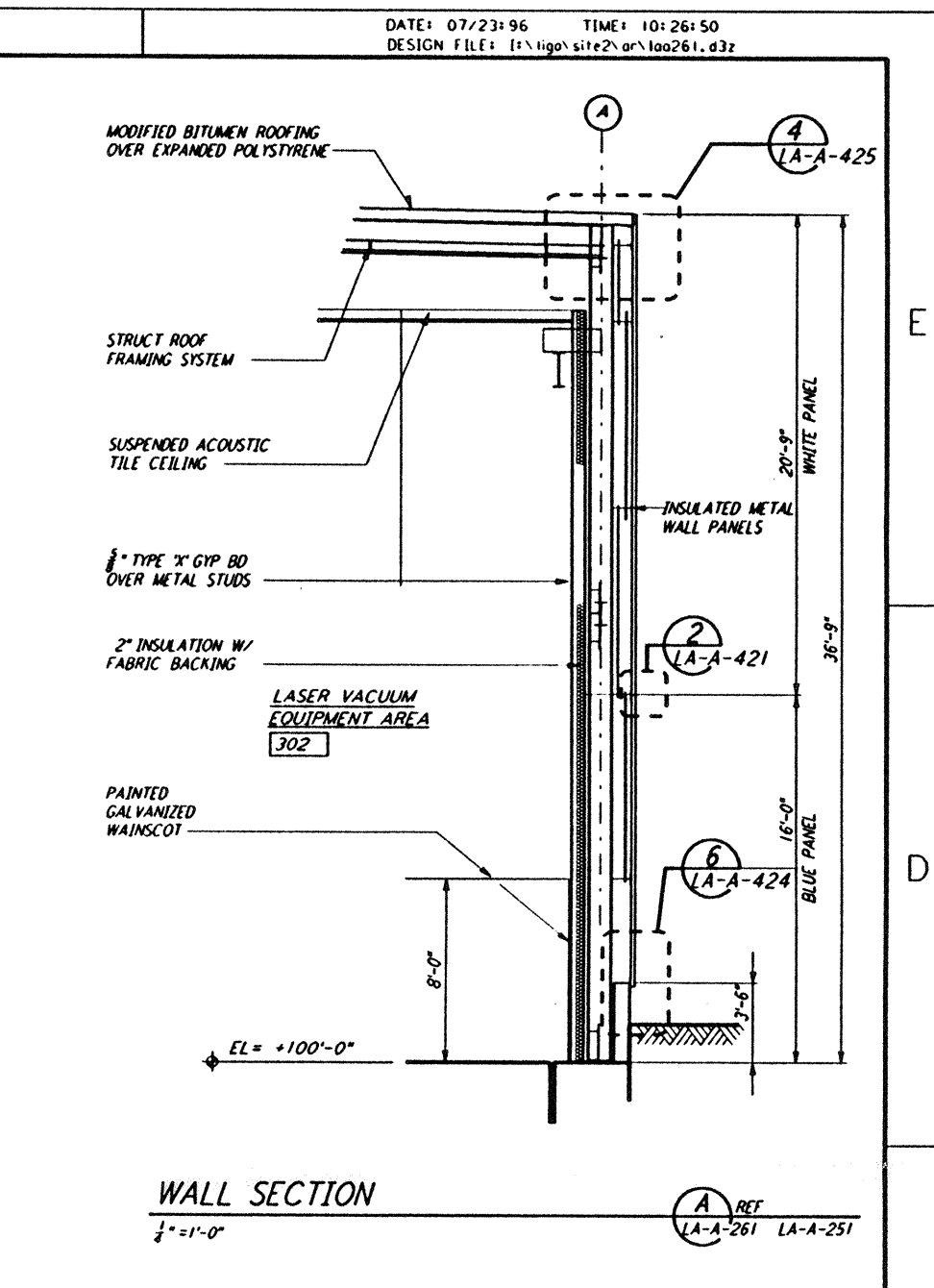
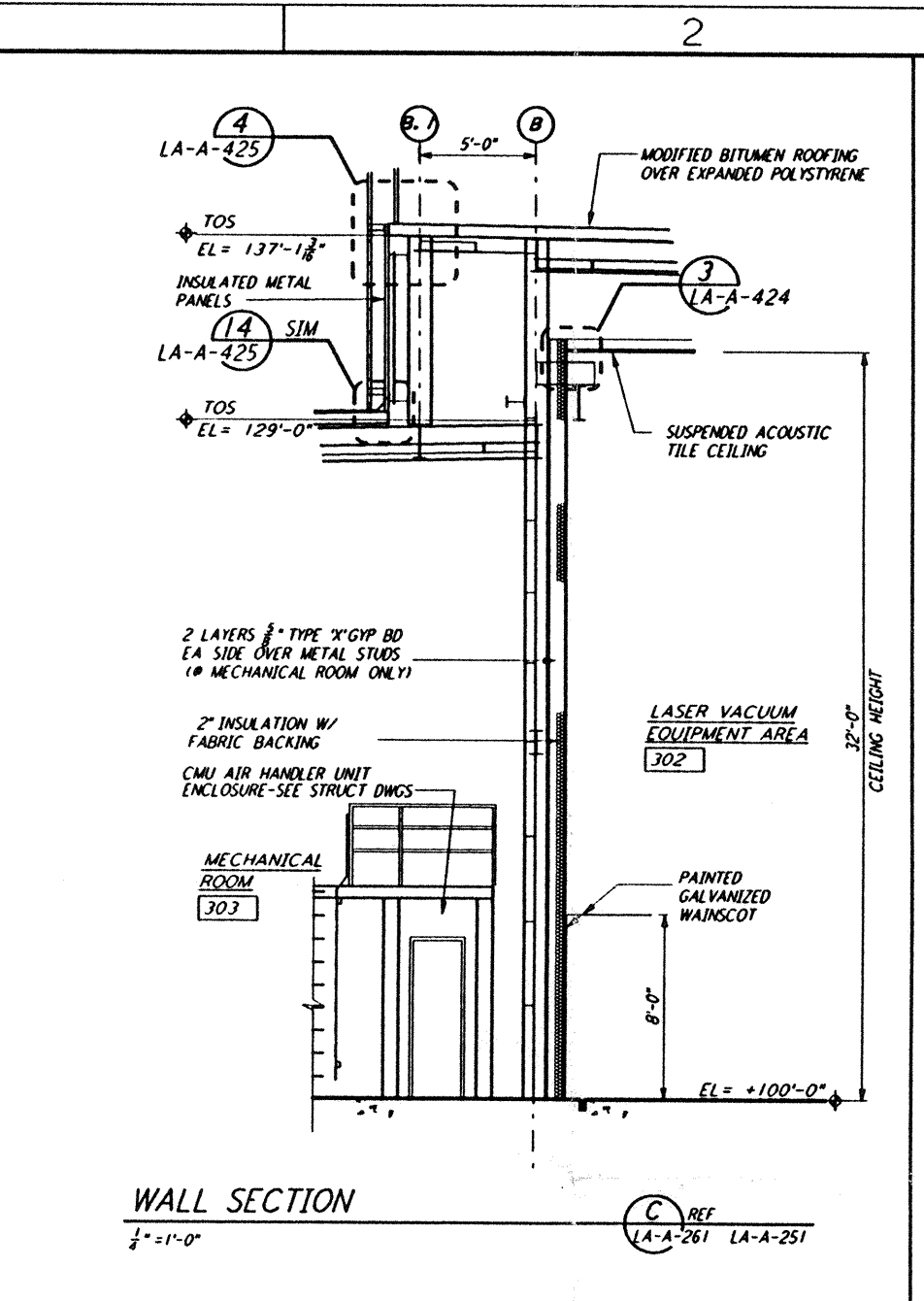
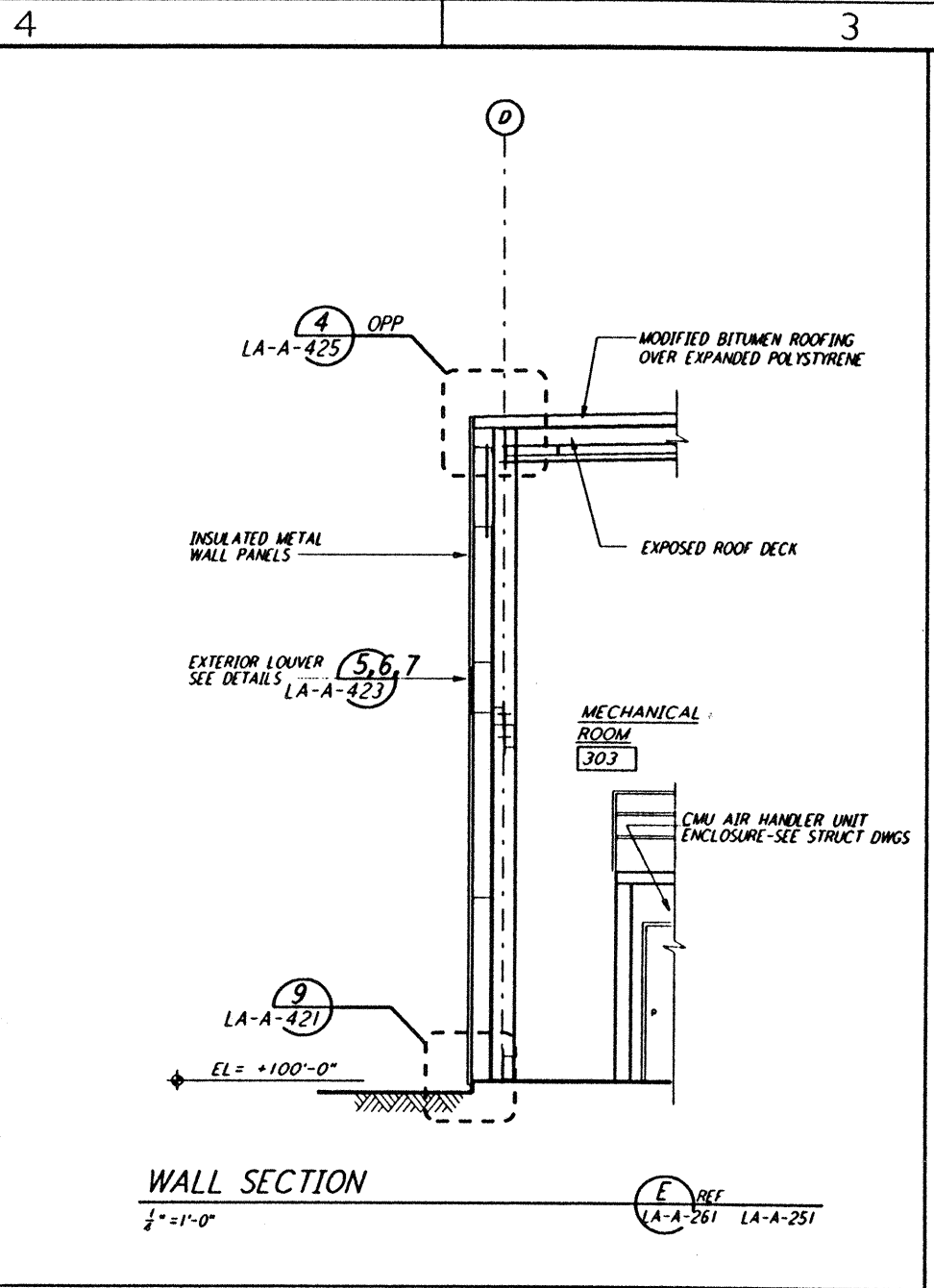
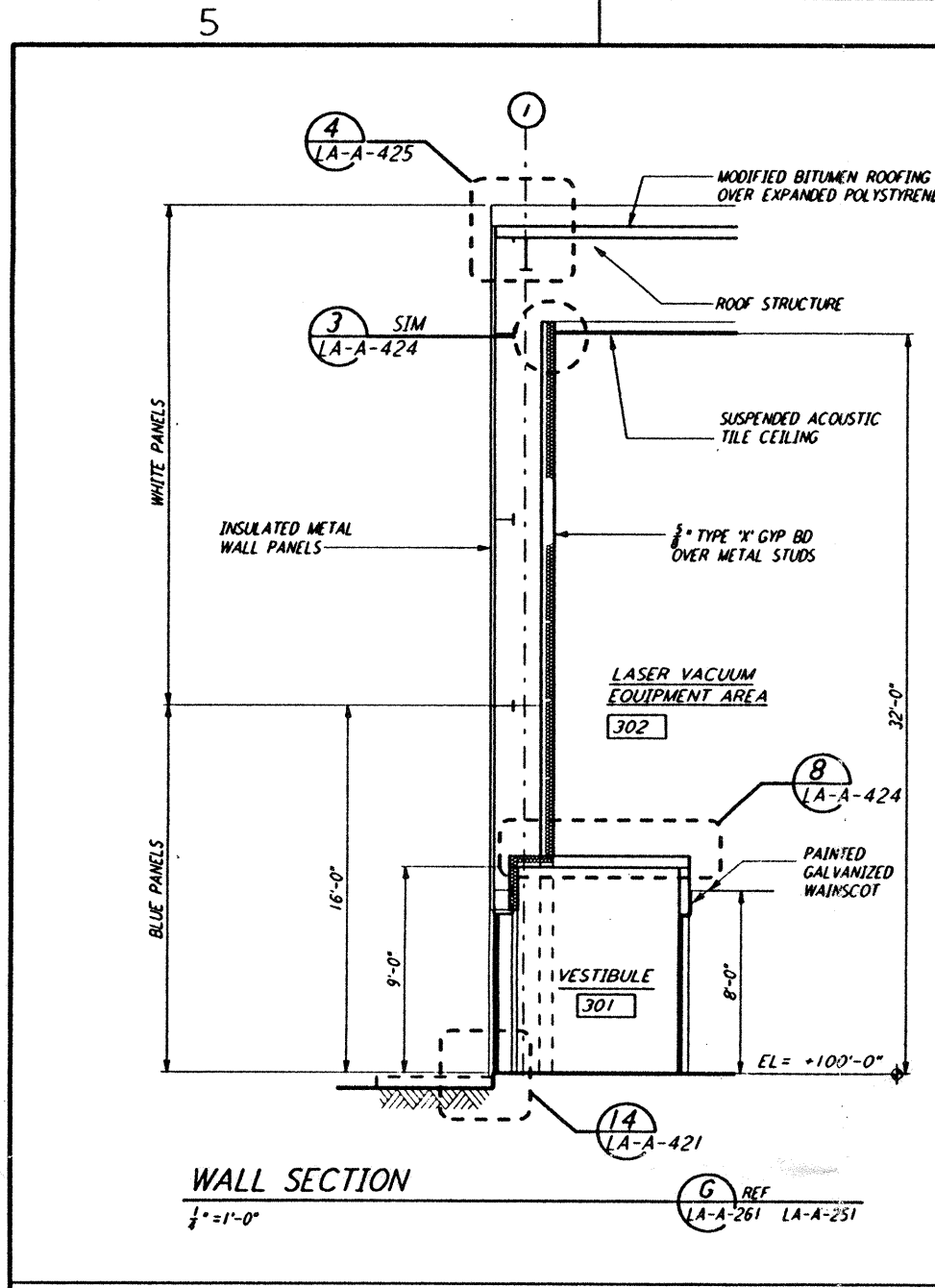


This document and the design it covers are the property of PARSONS. They are loaned only with the borrower's expressed written agreement that they will not be reproduced, copied, loaned, exhibited, or used in any other way, except by written consent from PARSONS to the borrower.



NO.	DATE	BY	CHKD	ENGR	PROJ	DESCRIPTION
C	7-24-96	CTK	TB	BK	TDM	ISSUED FOR BID
B	6-14-96	CTK	BK	SF	TDM	FINAL DESIGN REVIEW
A	10/31/95	SF	SF	TDM		PRELIMINARY DESIGN REVIEW

NO.	DATE	BY	CHKD	ENGR	PROJ	DESCRIPTION
C	7-24-96	CTK	TB	BK	TDM	ISSUED FOR BID
B	6-14-96	CTK	BK	SF	TDM	FINAL DESIGN REVIEW
A	10/31/95	SF	SF	TDM		PRELIMINARY DESIGN REVIEW

DRAWN	CTK
CHECKED	
ENGINEER	
PROJ	

**PARSONS**  
 100 WEST WALNUT STREET  
 PASADENA, CALIFORNIA

**LIGO**  
 CALIFORNIA INSTITUTE OF TECHNOLOGY  
 MASSACHUSETTS INSTITUTE OF TECHNOLOGY

LASER INTERFEROMETER  
 GRAVITATIONAL-WAVE OBSERVATORY  
 SITE NO. 2 - LIVINGSTON, LOUISIANA

ARCHITECTURAL  
 MID & END STATIONS  
 WALL SECTIONS

CONTRACT NUMBER: PPI50969  
 PROJECT NUMBER: 8094

DRAWING NUMBER: **LA-A-261**

Tue Jul 23 10:25:49 1996 s3-v18b2 J:\PLOTS\QUEUES\18B2\AR261.PRF