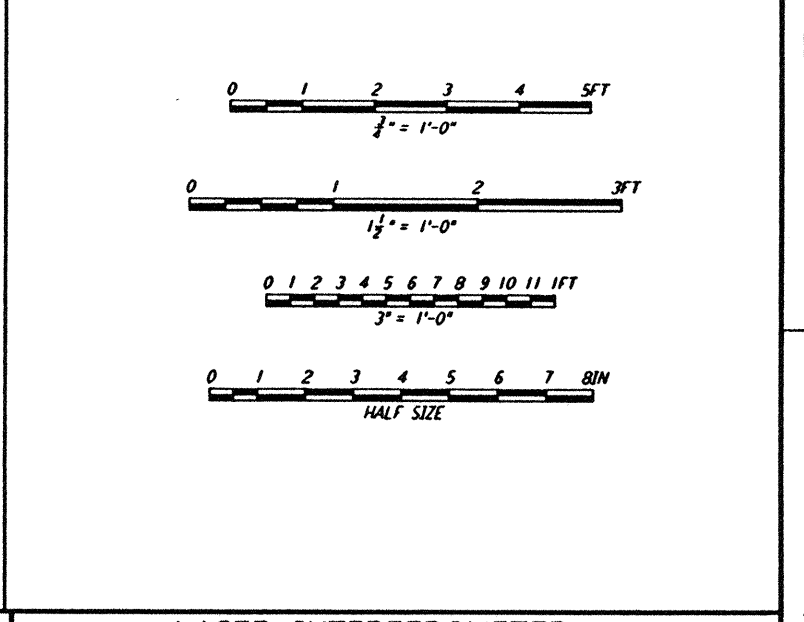
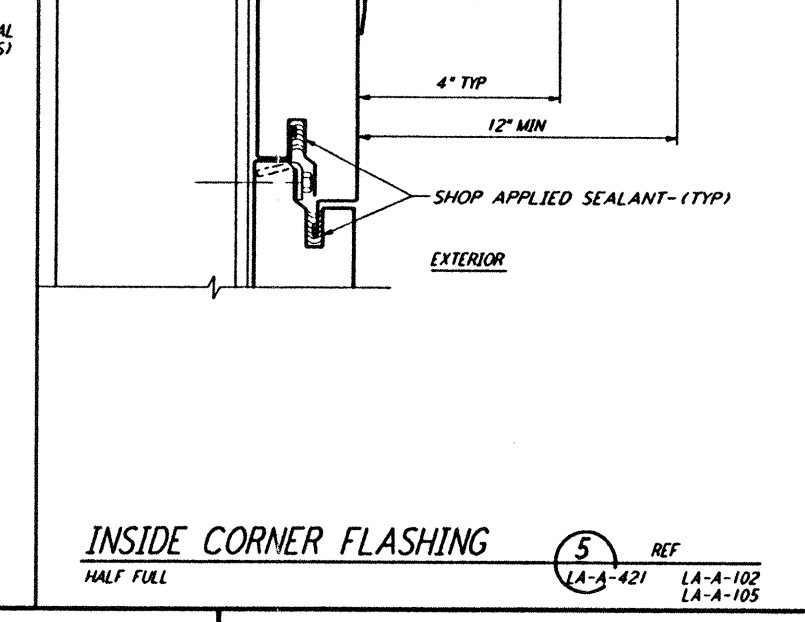
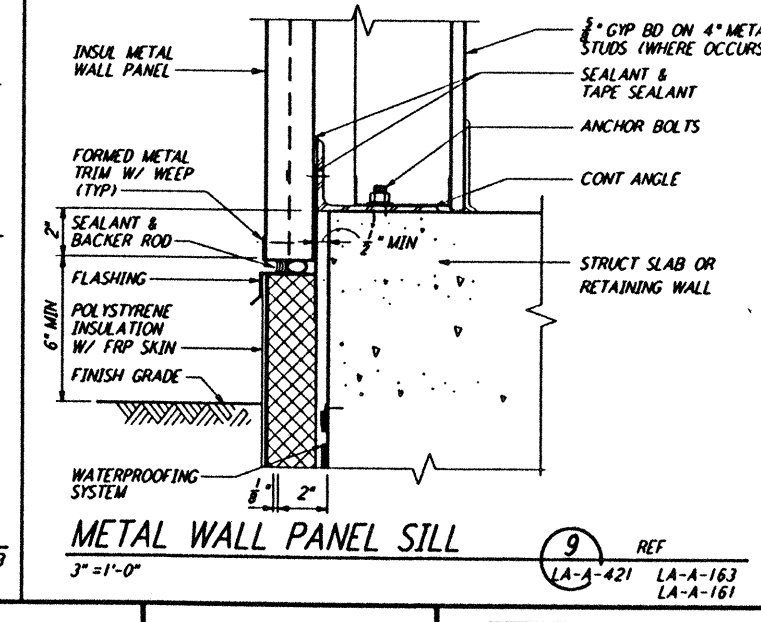
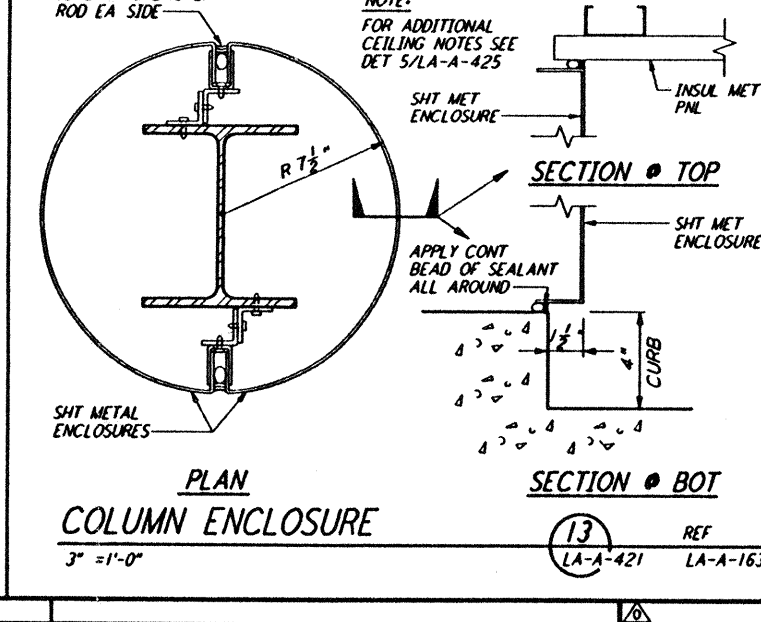
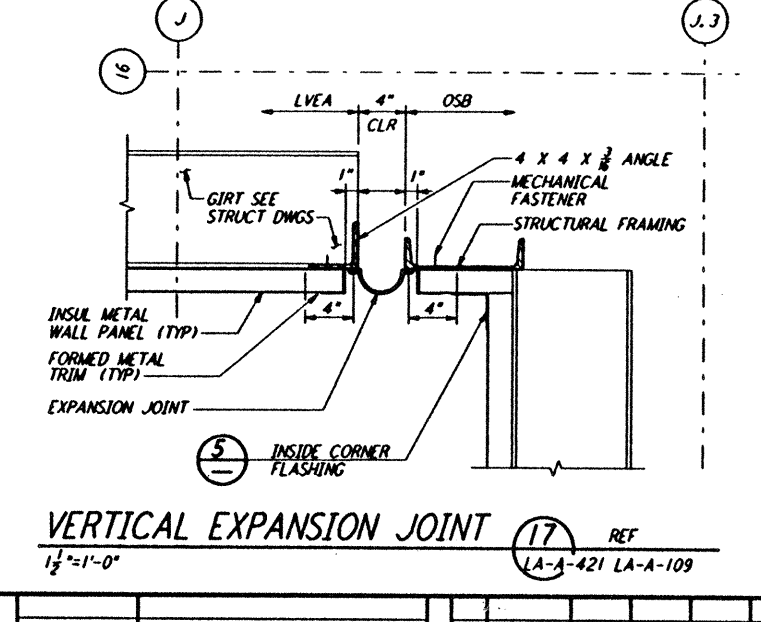
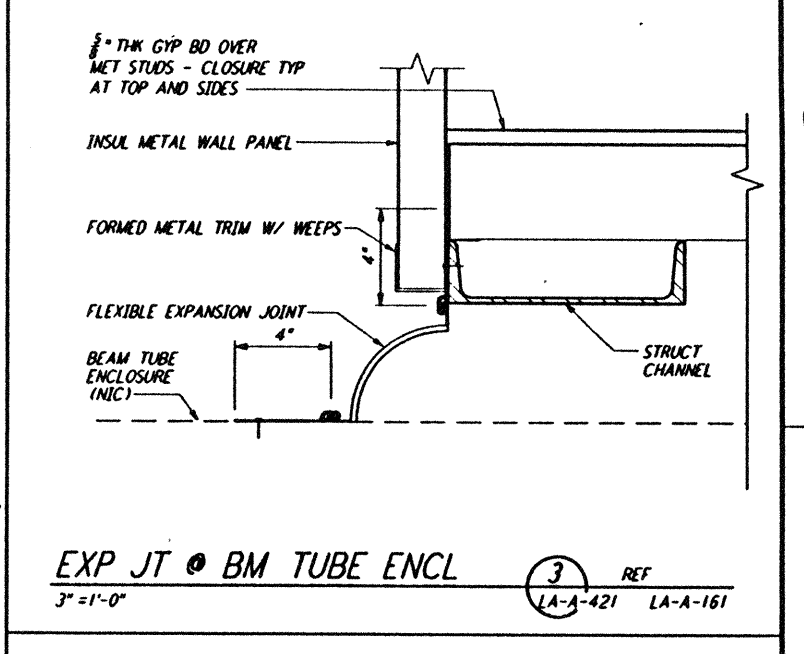
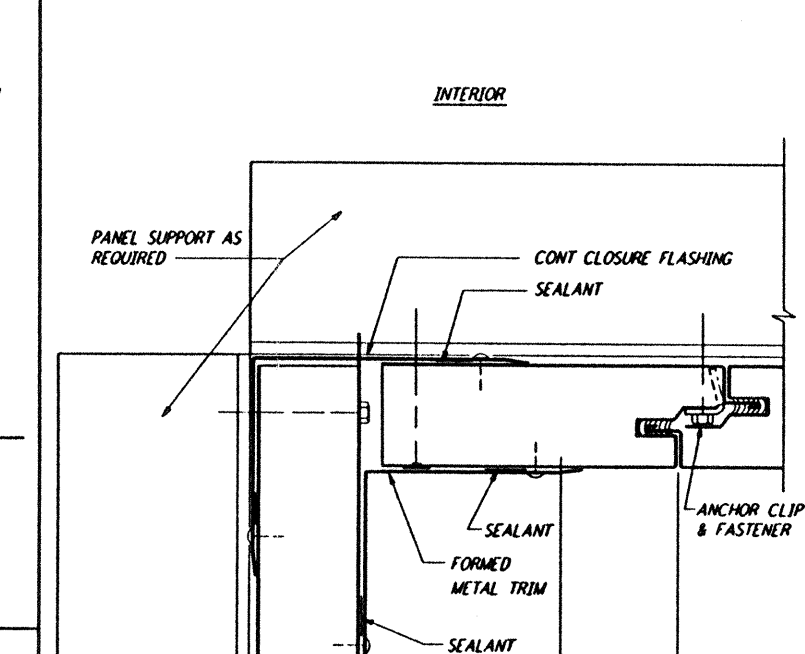
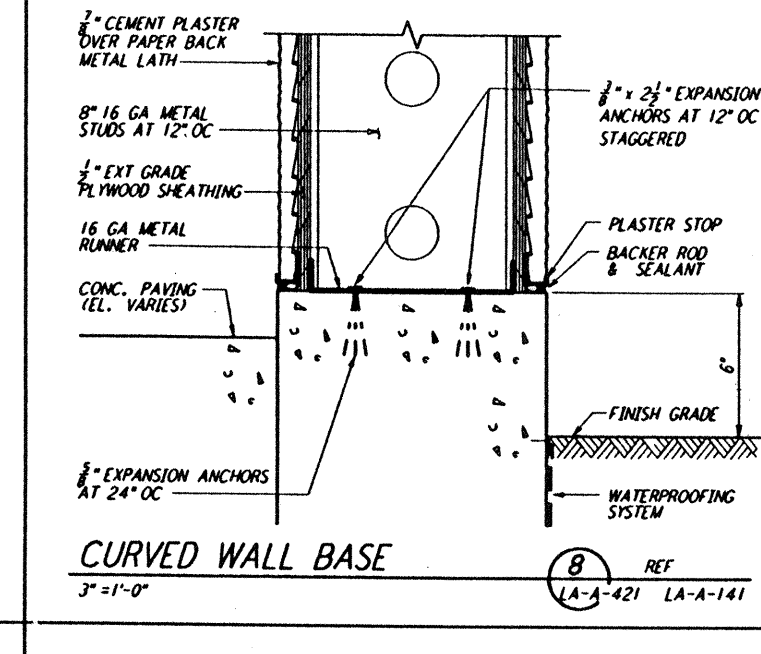
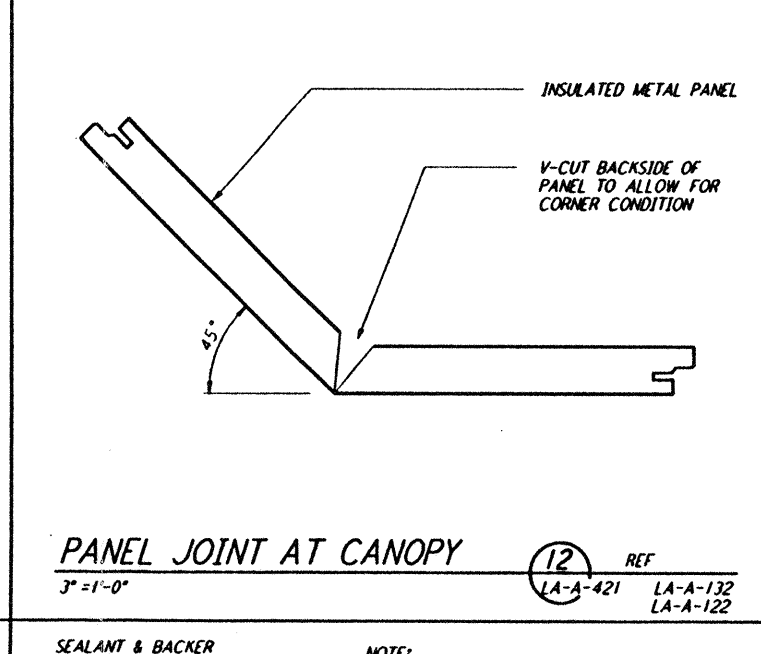
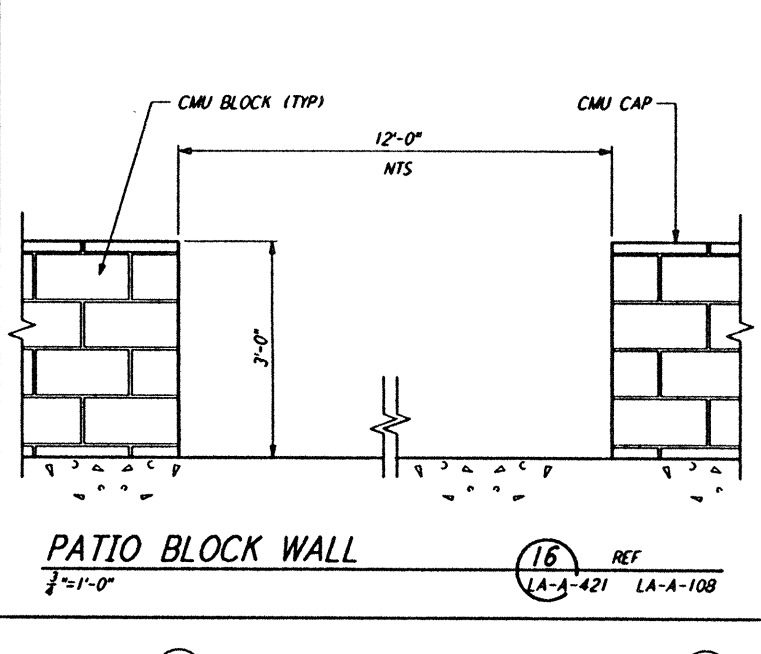
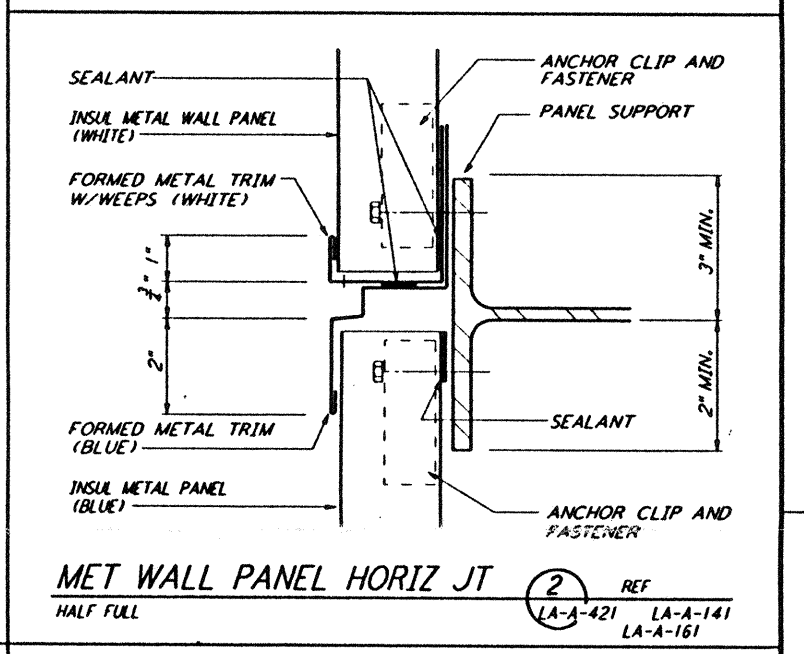
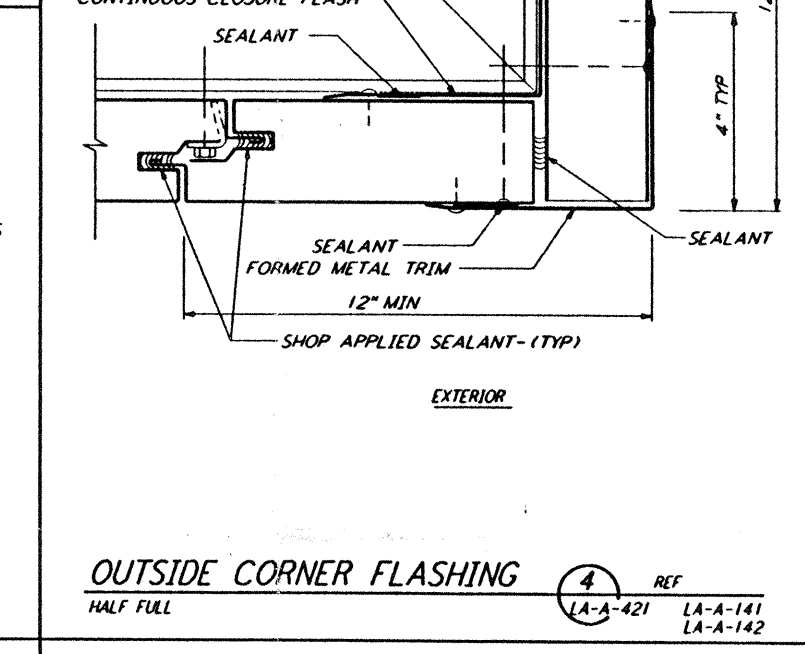
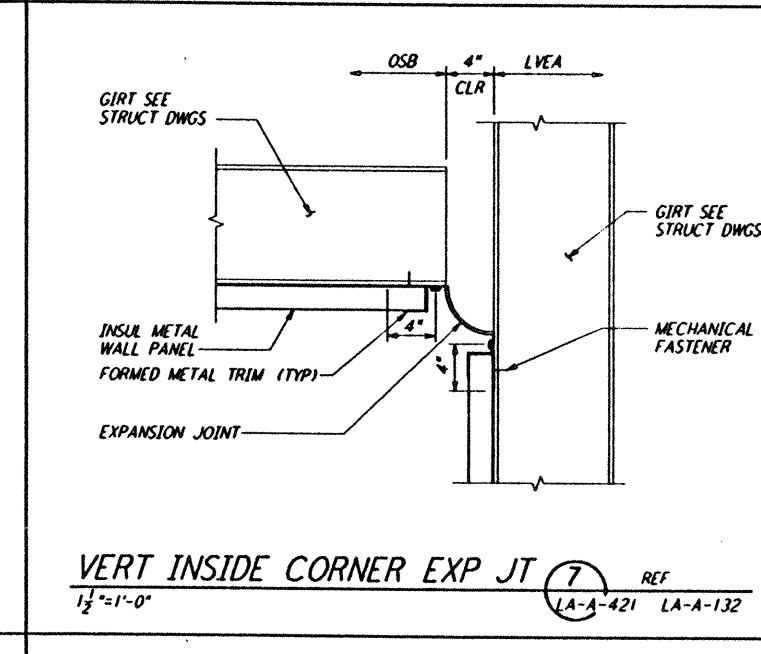
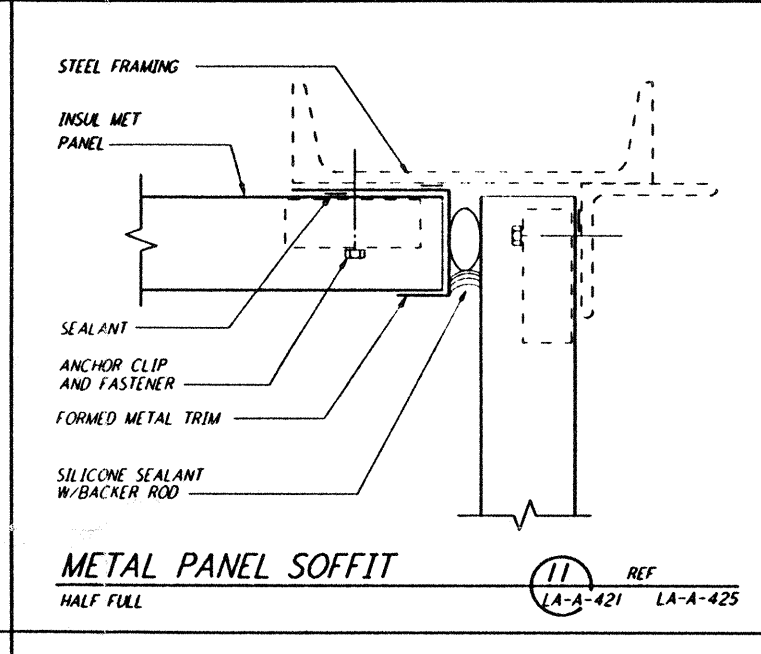
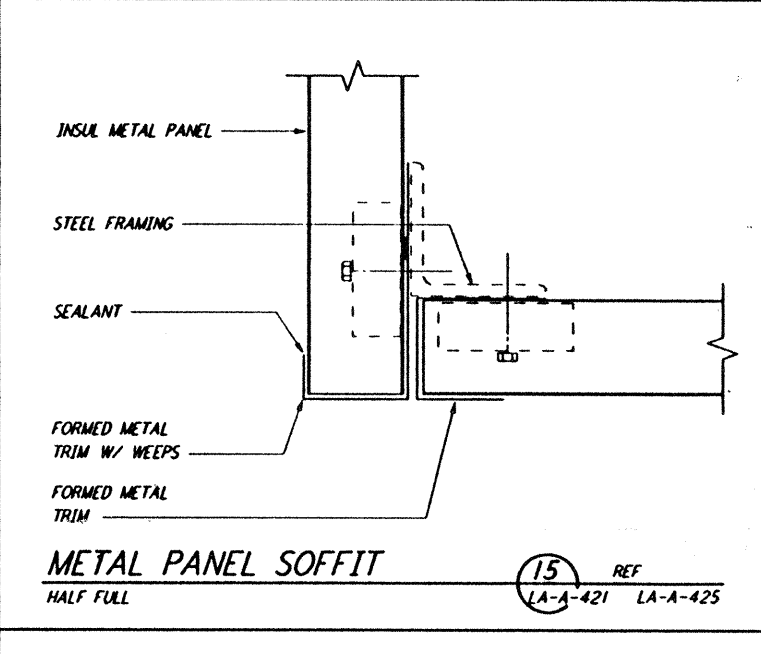
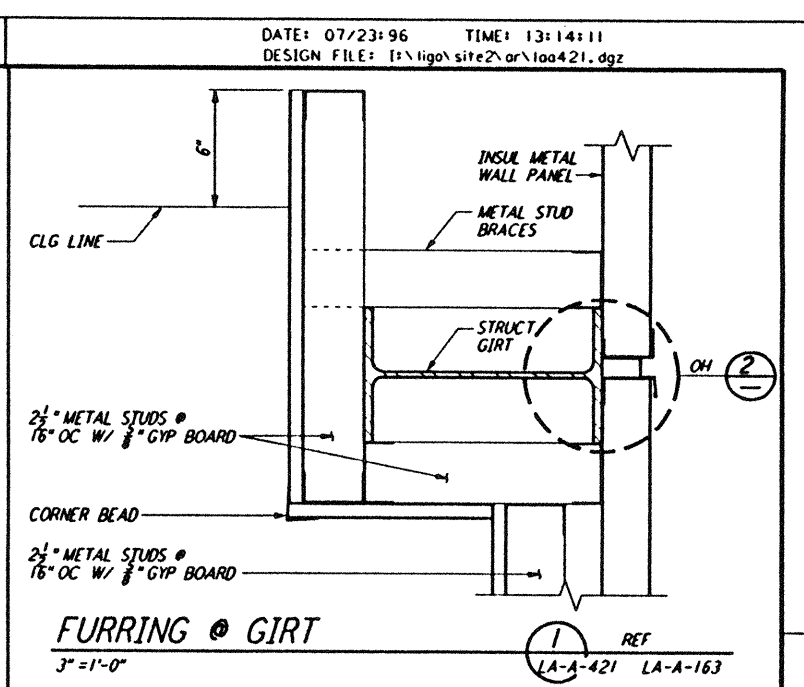
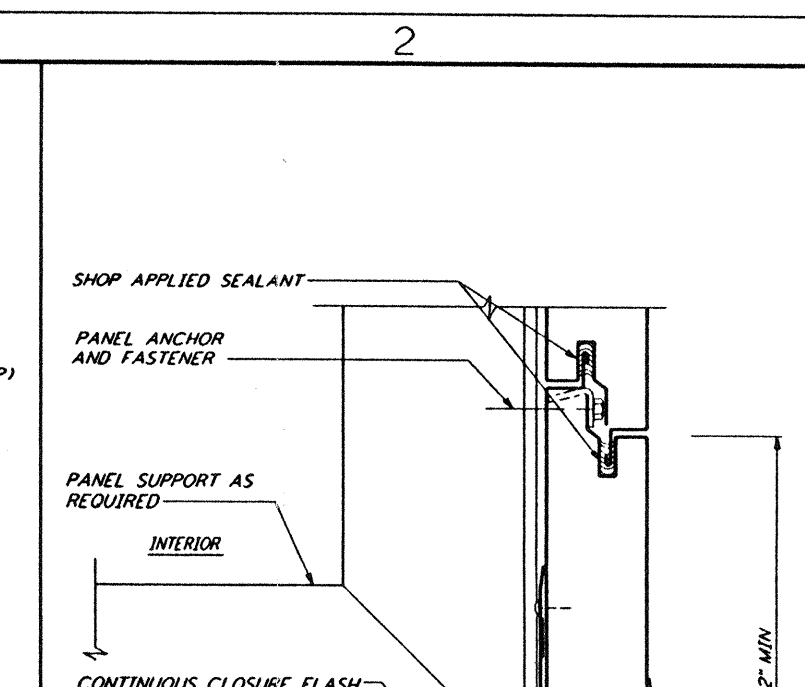
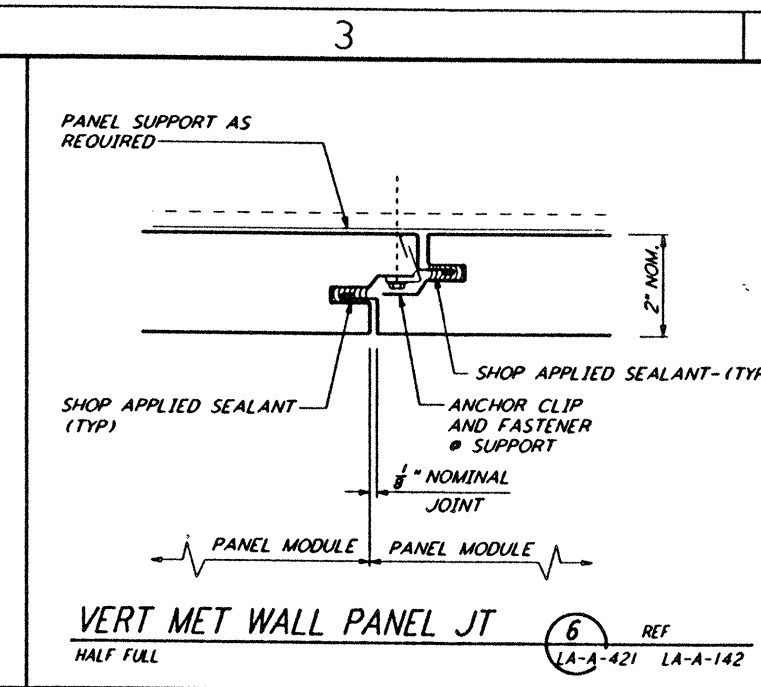
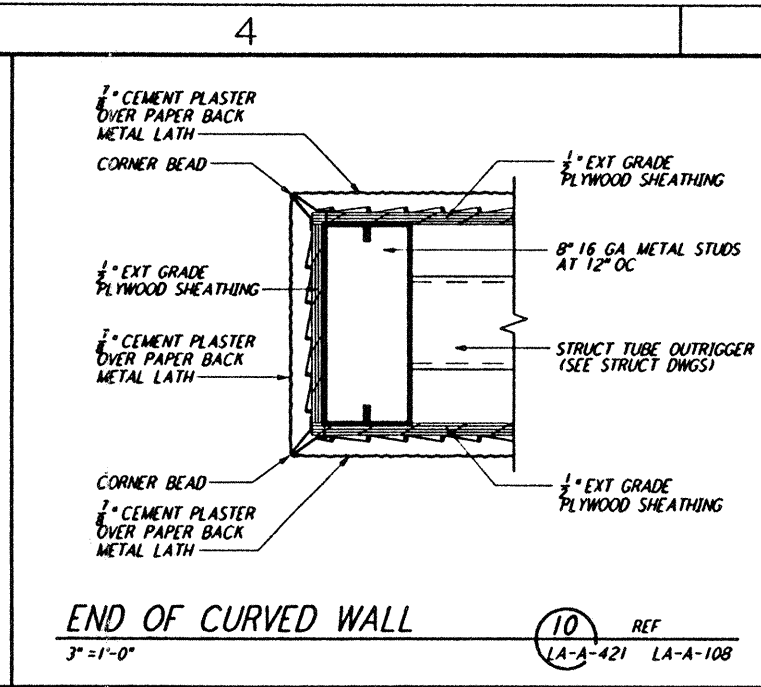
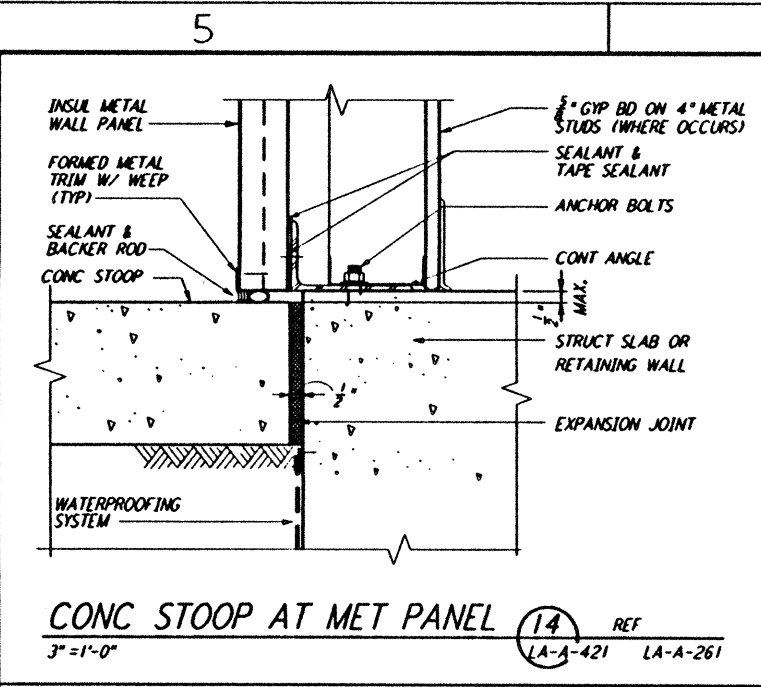


not be reproduced, copied, loaned, exhibited, or used in any other way, except by written consent from PARSONS to the borrower.

This document and the design it covers are the property of PARSONS. They are loaned only with the borrower's expressed written agreement that they will

DATE: 07/23/96 TIME: 13:14:11  
DESIGN FILE: I:\plots\QUEUES\18B2\AR421A.dwg



NO.	DATE	BY	CHKD	ENGR	PROJ	DESCRIPTION
C	7-24-96	CKT	TB	BK	TDM	ISSUED FOR BID
B	6-14-96	CKT	BK	SF	TDM	FINAL DESIGN REVIEW
A	10/31/95	SF	SF	TDM	TDM	PRELIMINARY DESIGN REVIEW

NO.	DATE	BY	CHKD	ENGR	PROJ	DESCRIPTION
1						
2						
3						
4						
5						
6						
7						
8						
9						
10						
11						
12						
13						
14						
15						
16						
17						

DRAWN	SH/RR
CHECKED	
ENGINEER	
PROJ	

**PARSONS**  
100 WEST WALNUT STREET  
PASADENA, CALIFORNIA

**LIGO**  
CALIFORNIA INSTITUTE OF TECHNOLOGY  
MASSACHUSETTS INSTITUTE OF TECHNOLOGY

LASER INTERFEROMETER  
GRAVITATIONAL-WAVE OBSERVATORY  
SITE NO. 2 - LIVINGSTON, LOUISIANA

ARCHITECTURAL  
EXTERIOR  
WALL DETAILS

AS NOTED PPI50969 8094  
LA-A-421

LIGO-D960898-C-0 1 LIGOL AF.BDR

Tue Jul 23 13:12:58 1996 s3-v1862 J:\PLOTS\QUEUES\18B2\AR421A.PRF