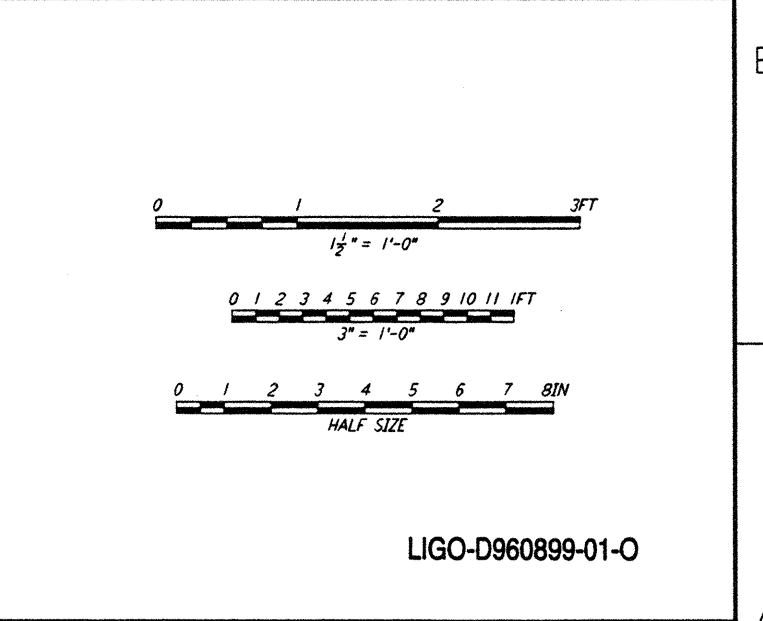
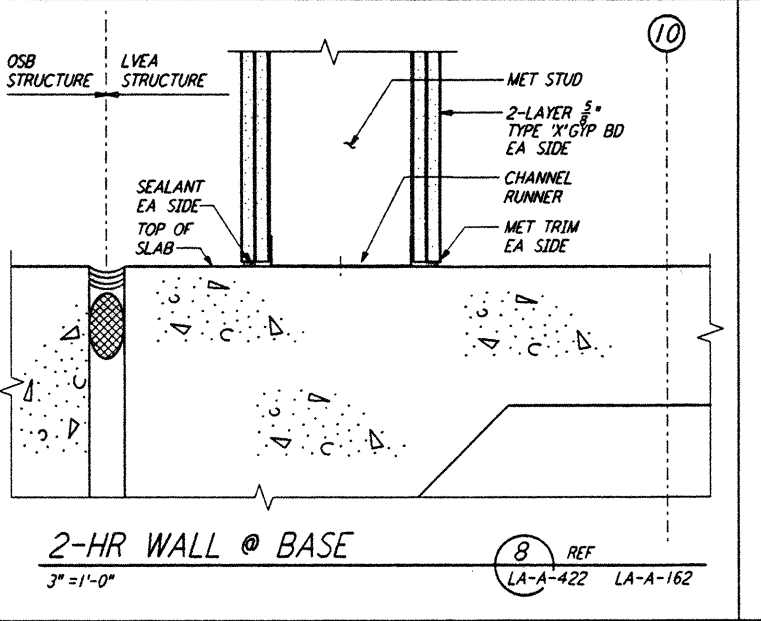
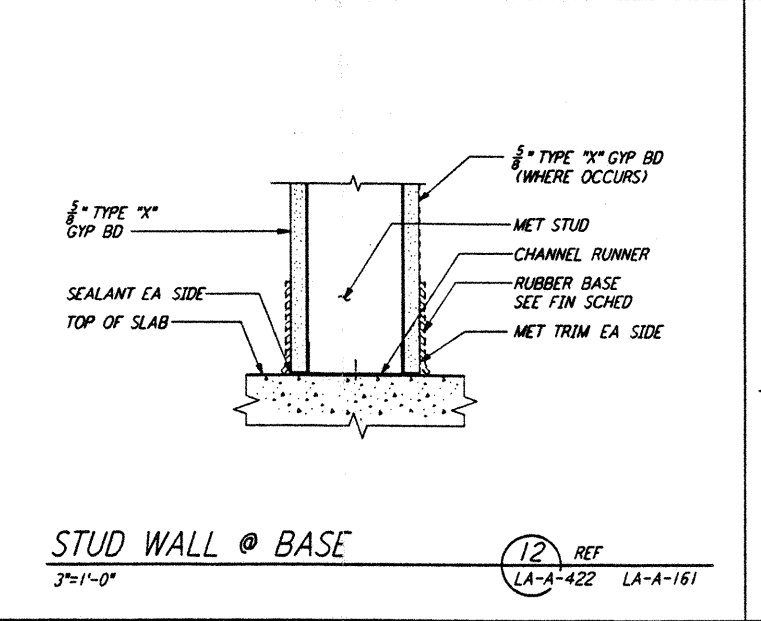
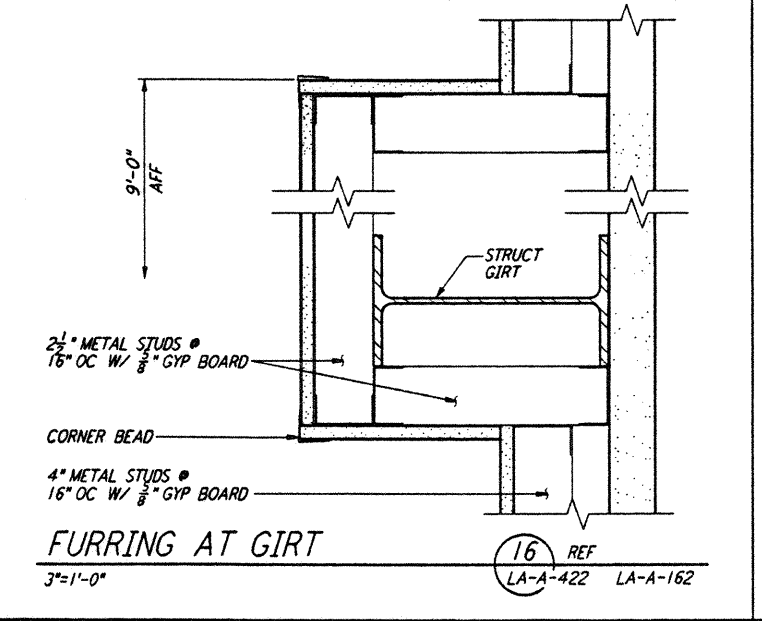
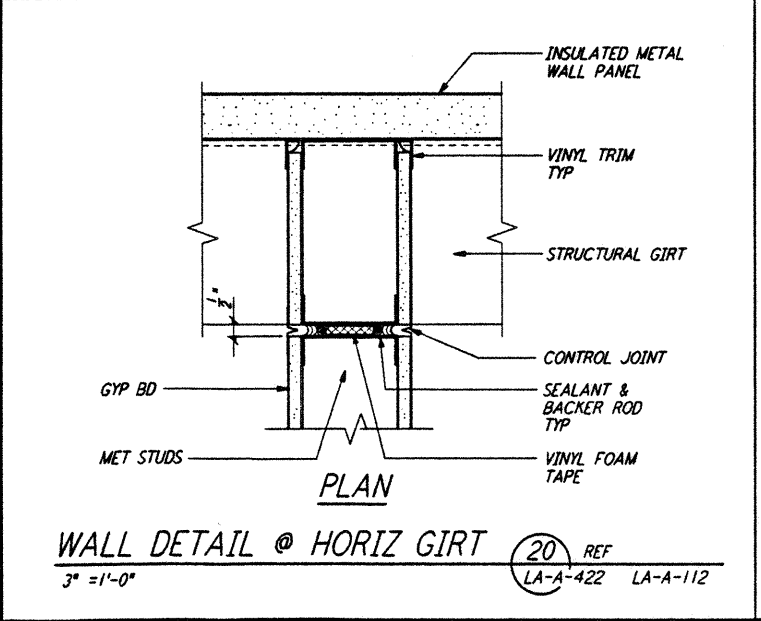
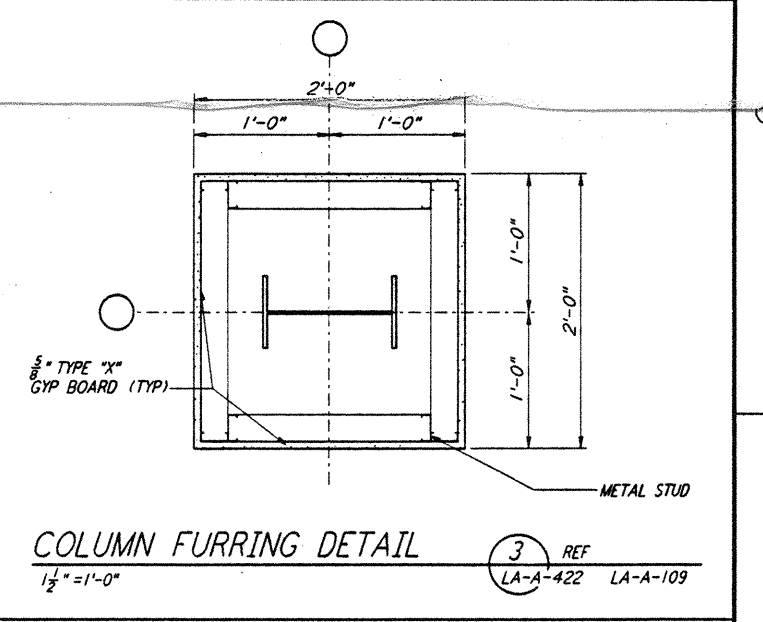
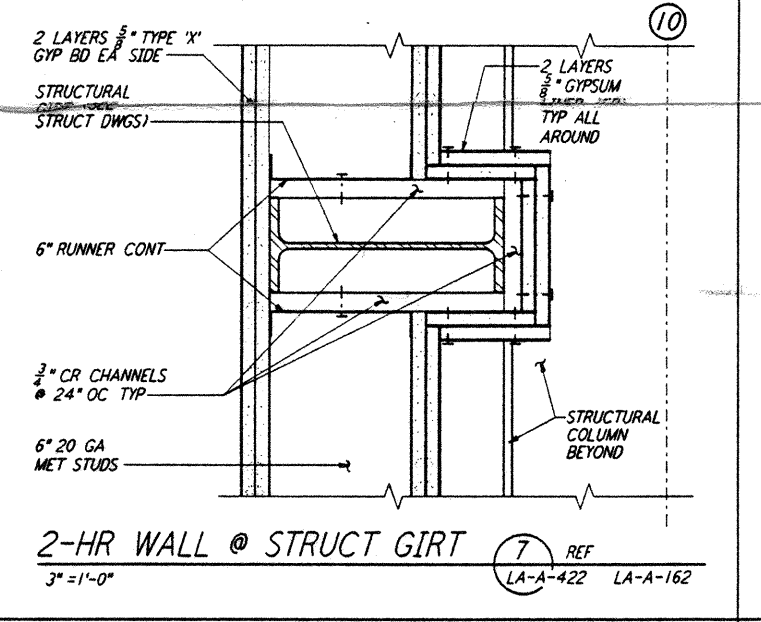
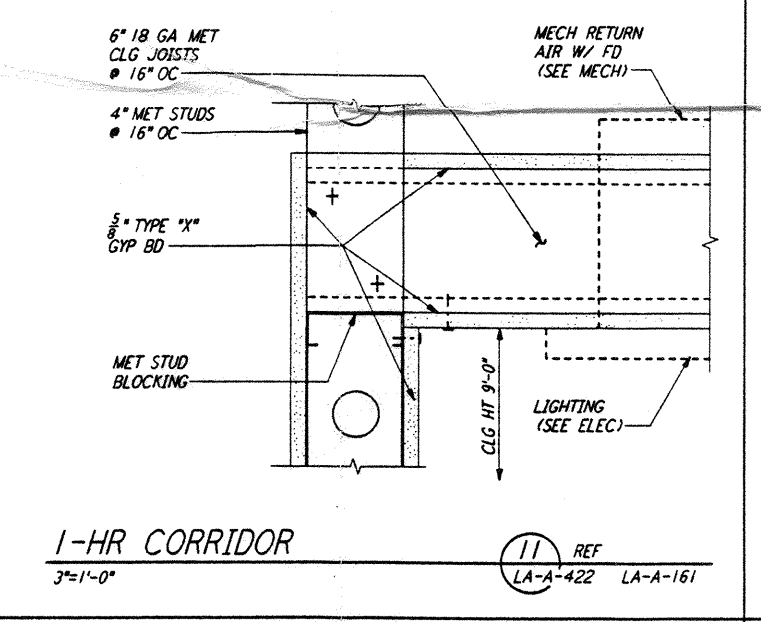
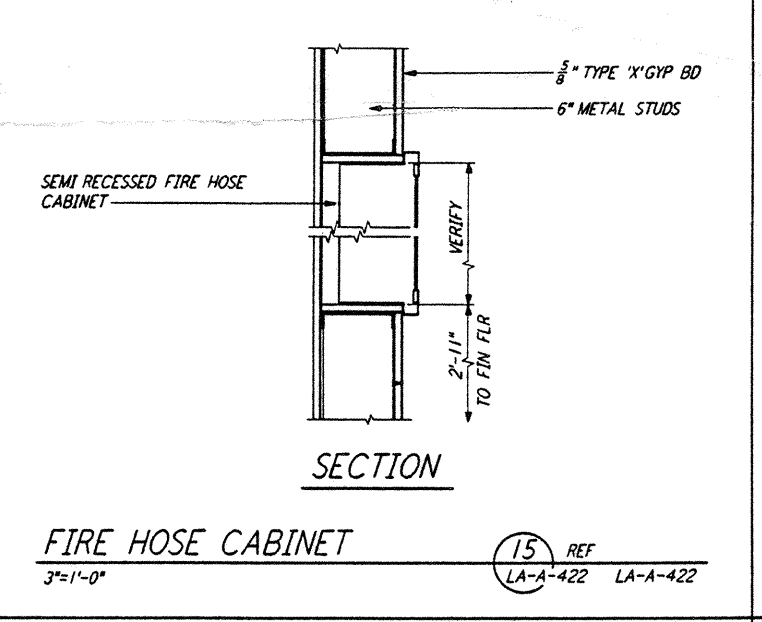
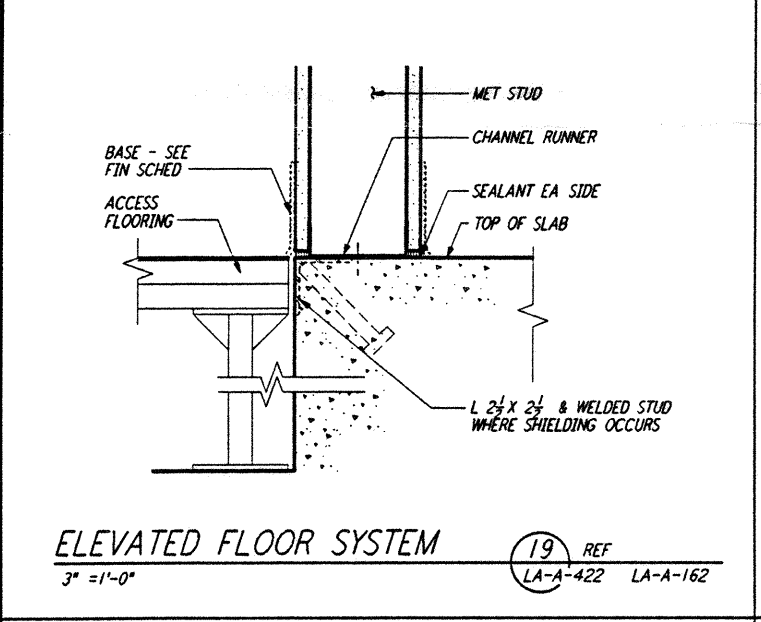
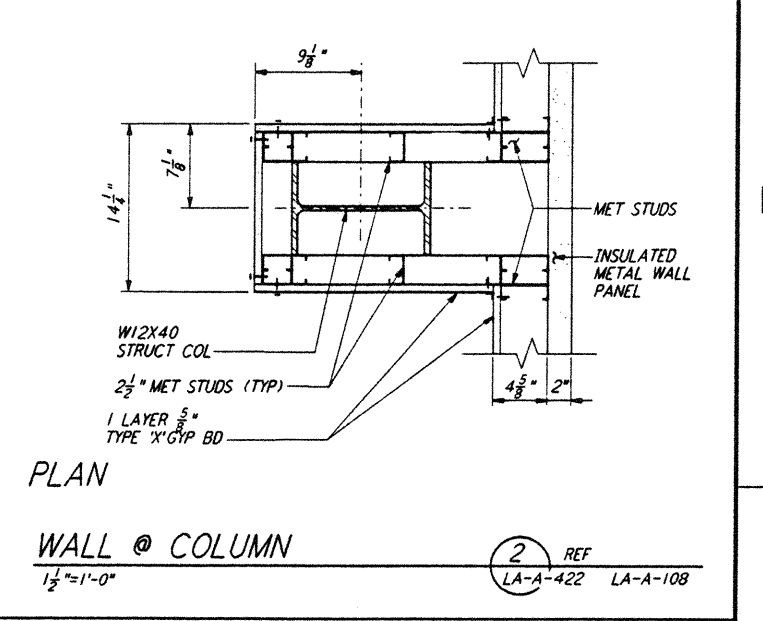
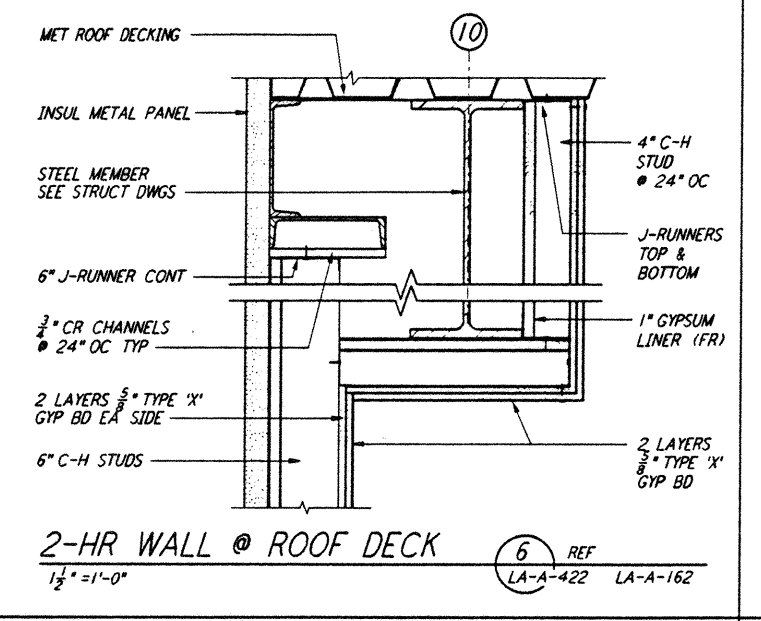
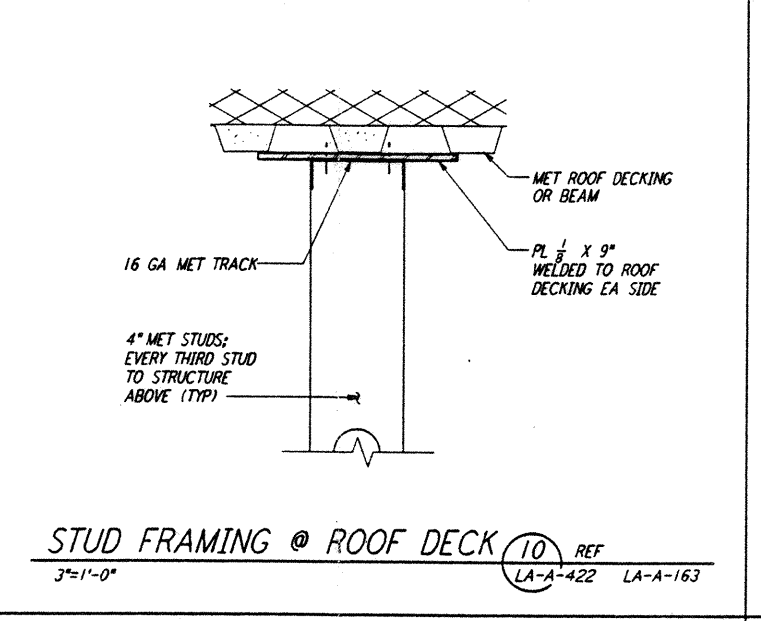
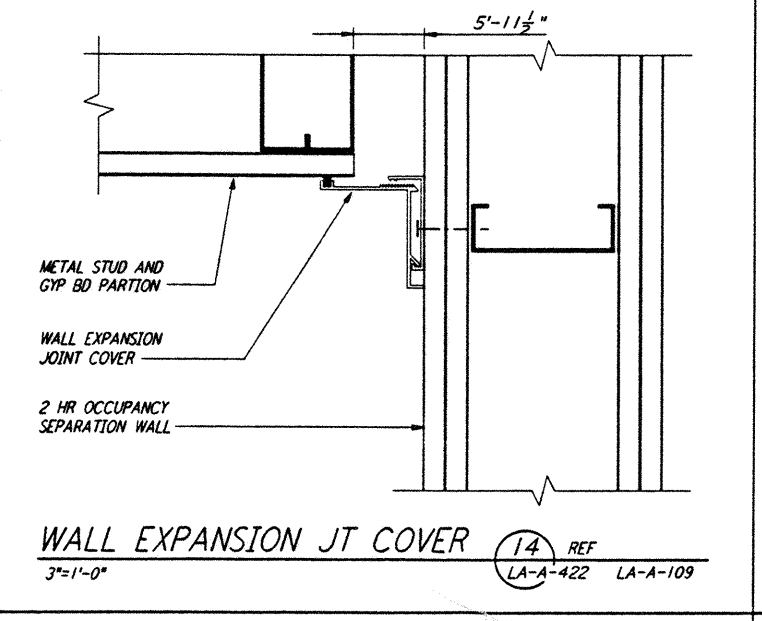
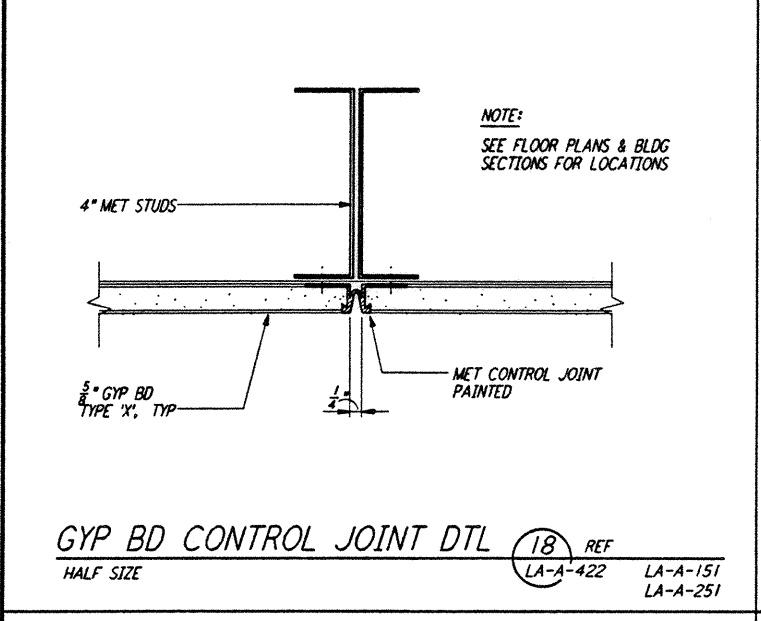
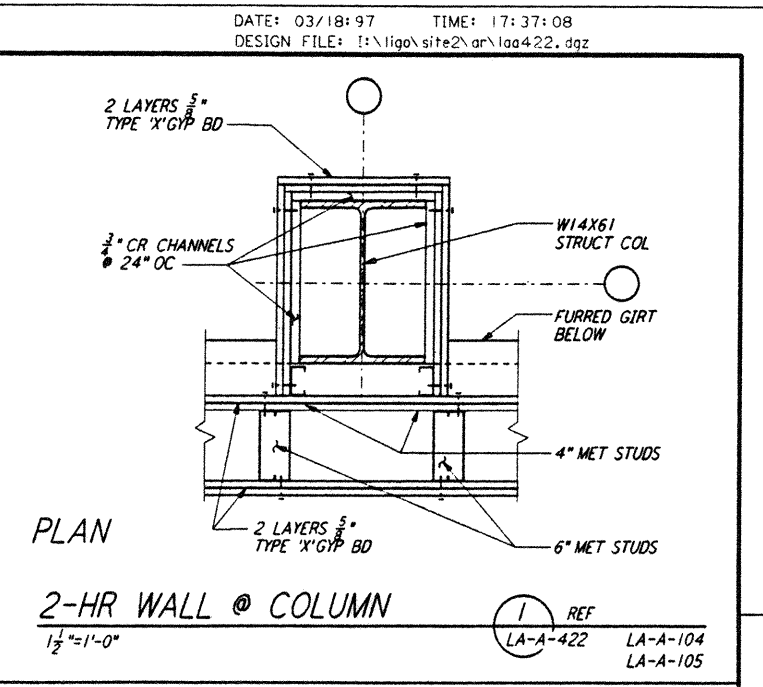
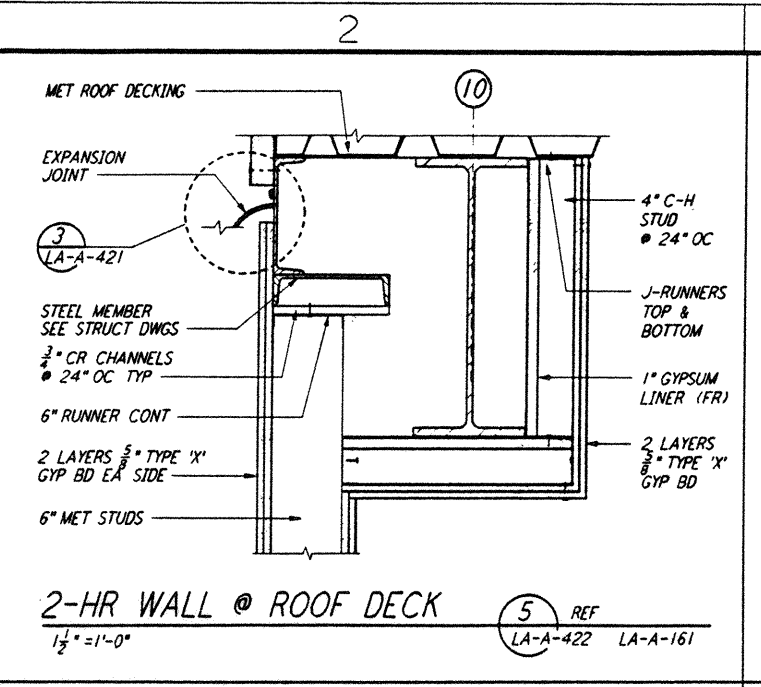
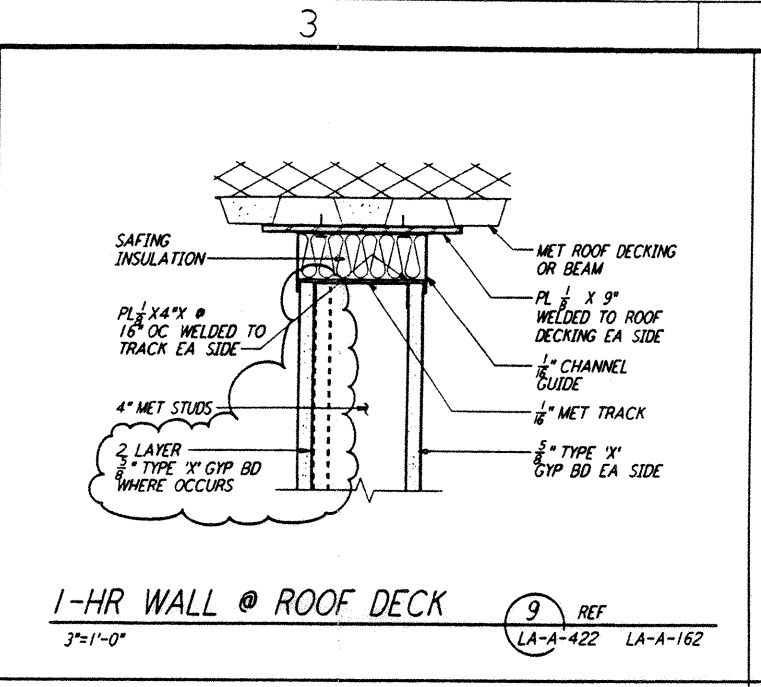
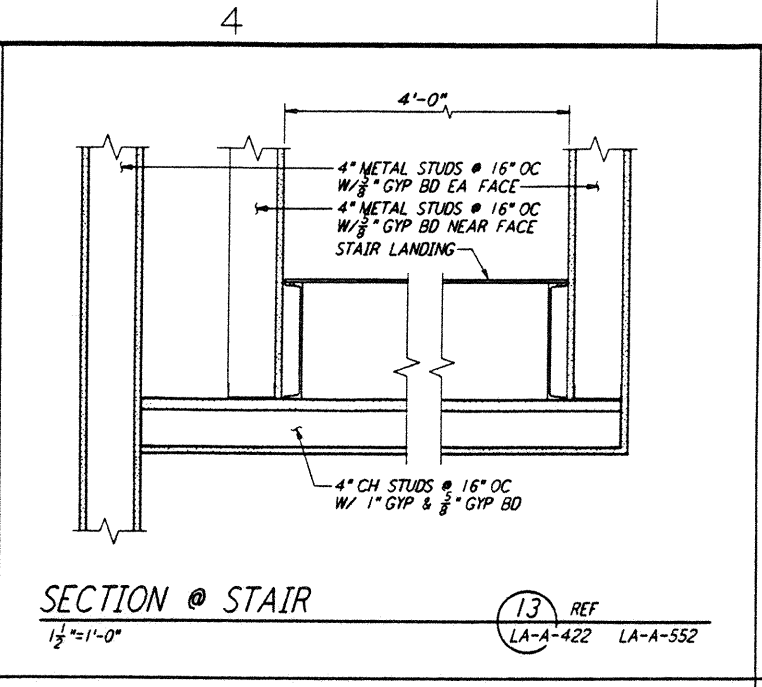
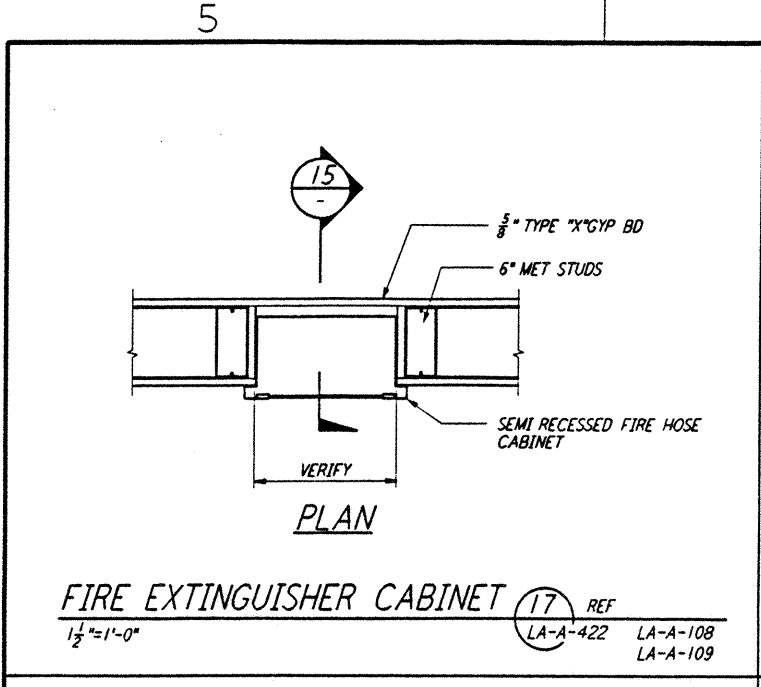


This document and the design it covers are the property of PARSONS. They are loaned only with the borrower's expressed written agreement that they will not be reproduced, copied, loaned, exhibited, or used in any other way, except by written consent from PARSONS to the borrower.



NO.	DATE	BY	CHKD	ENGR	PROJ	DESCRIPTION
1	2-28-97	CKT	TB	AK	TDM	CORNER STATION VSEA PARTITION

ISSUED FOR CONSTRUCTION  
 DRAWN BK/RR 11-15-96  
 CHECKED TB 11-15-96  
 ENGINEER SF 11-15-96  
 PROJ MDW 11-15-96

**PARSONS**  
 100 WEST WALNUT STREET  
 PASADENA, CALIFORNIA

**LIGO**  
 CALIFORNIA INSTITUTE OF TECHNOLOGY  
 MASSACHUSETTS INSTITUTE OF TECHNOLOGY

LASER INTERFEROMETER  
 GRAVITATIONAL-WAVE OBSERVATORY  
 SITE NO. 2 - LIVINGSTON, LOUISIANA

ARCHITECTURAL  
 INTERIOR  
 WALL DETAILS

AS NOTED PPI50969 8094  
**LA-A-422**