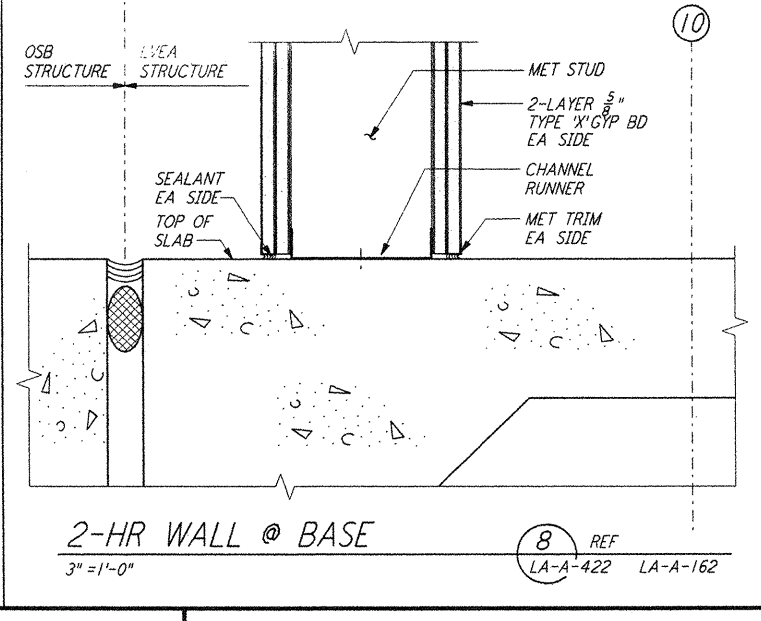
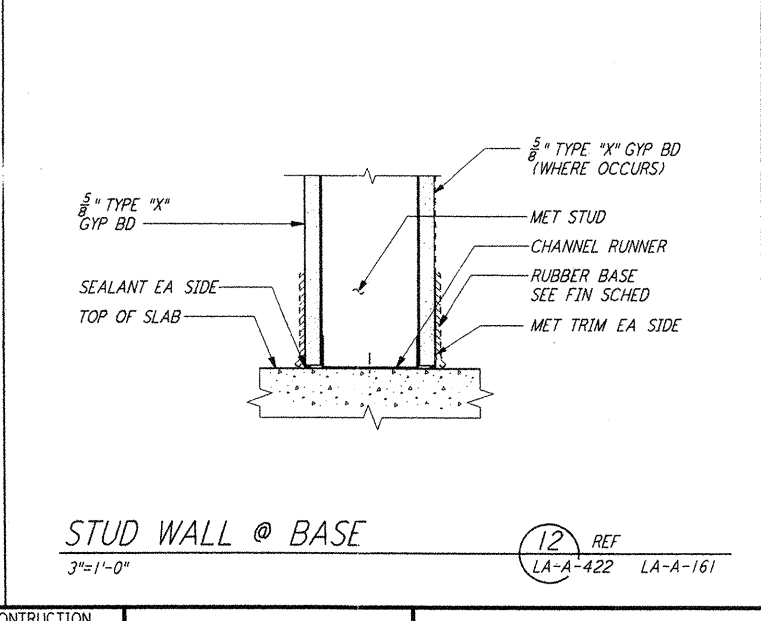
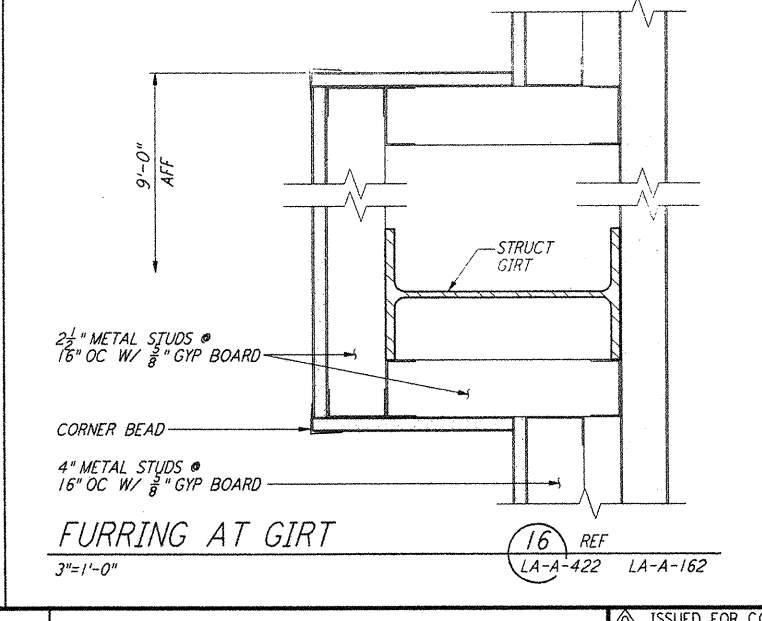
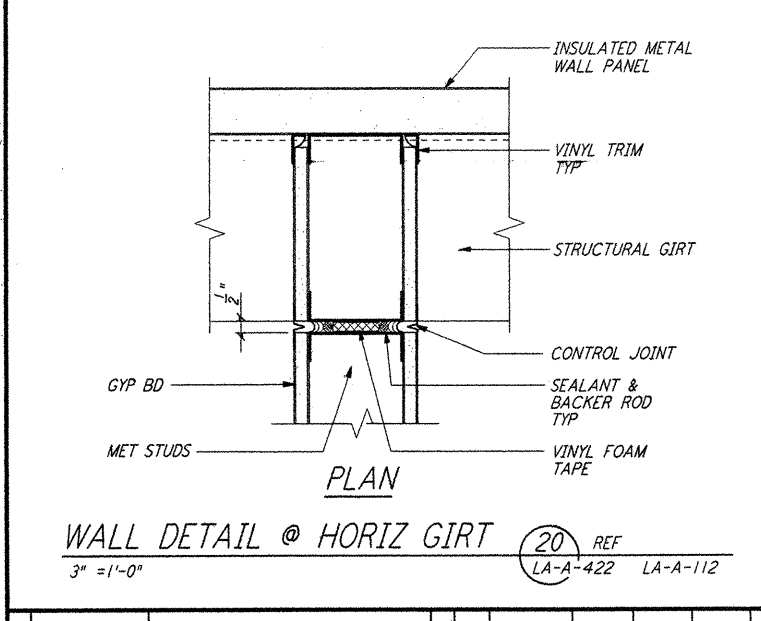
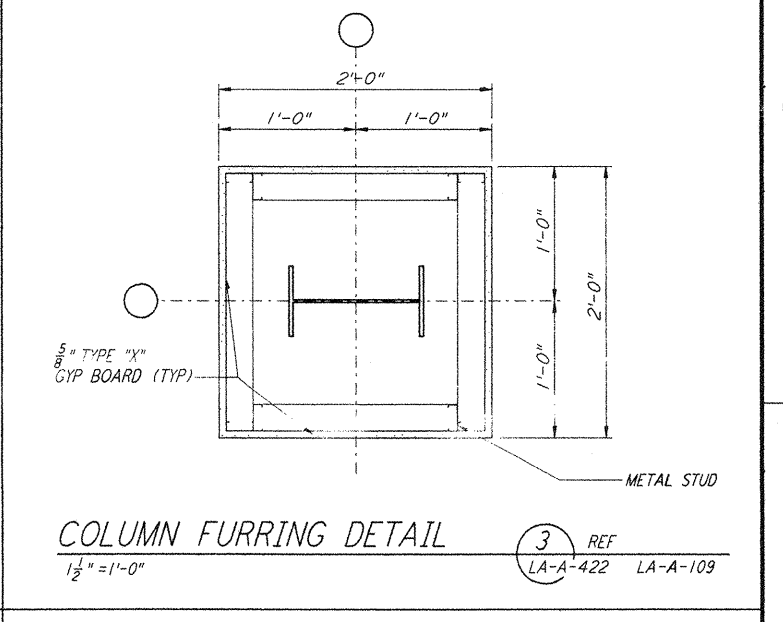
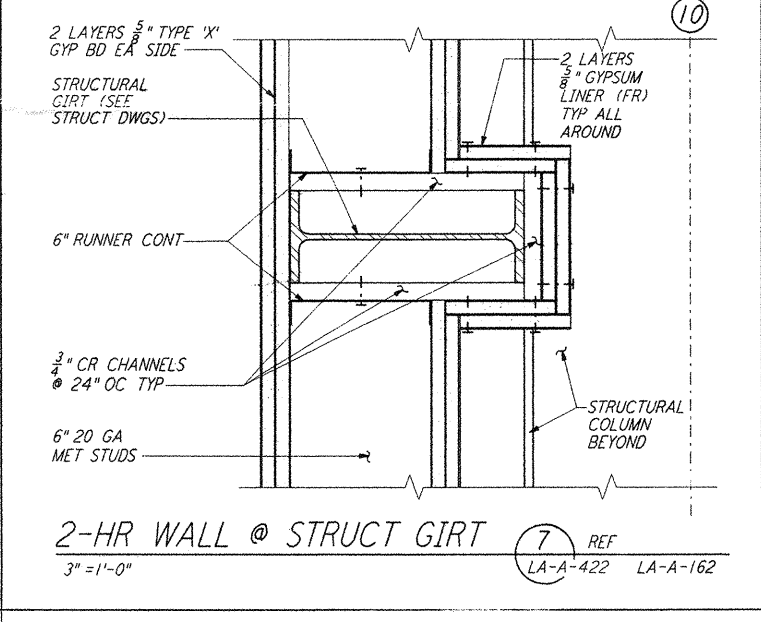
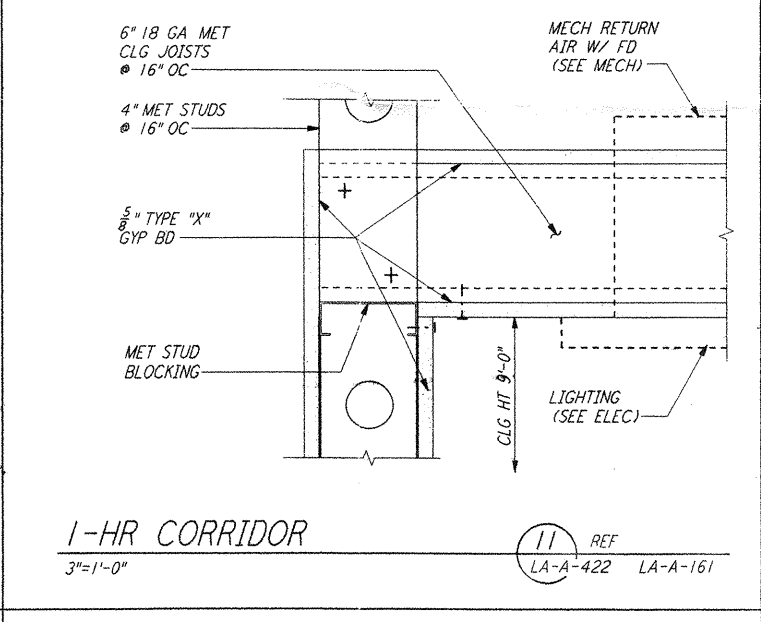
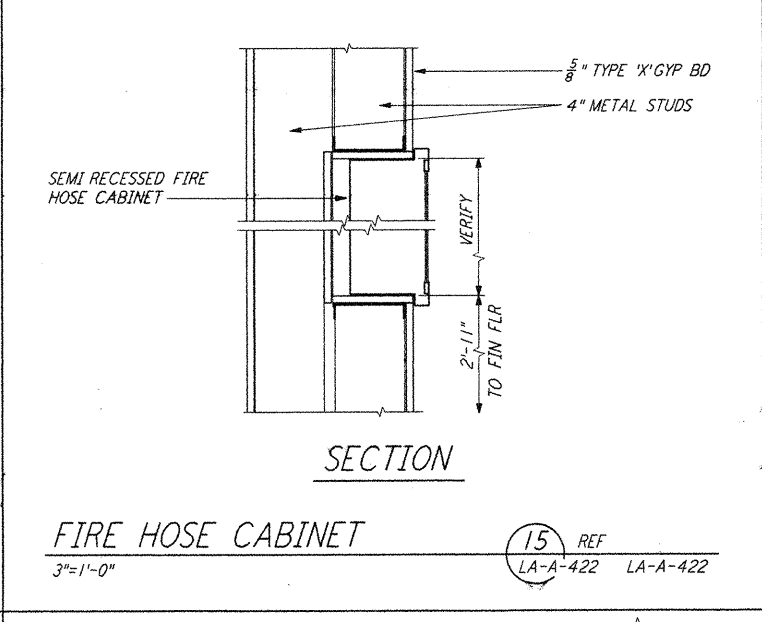
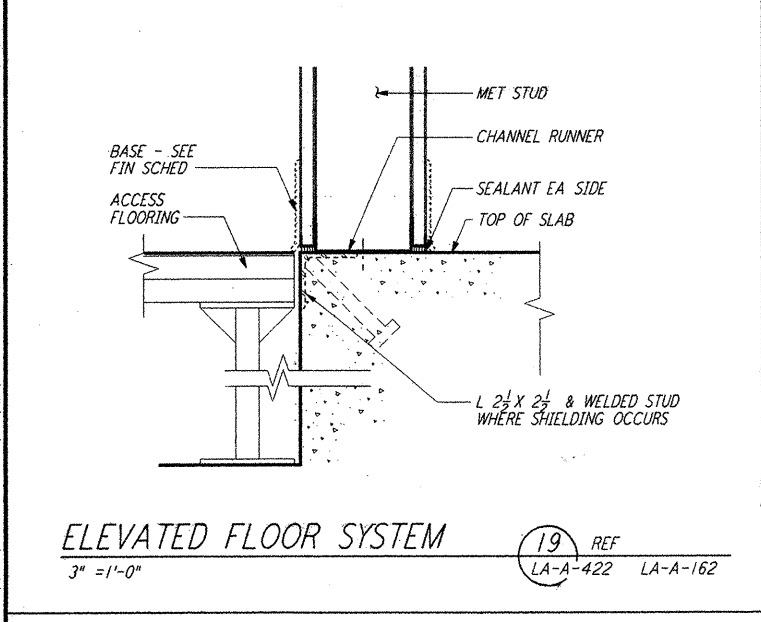
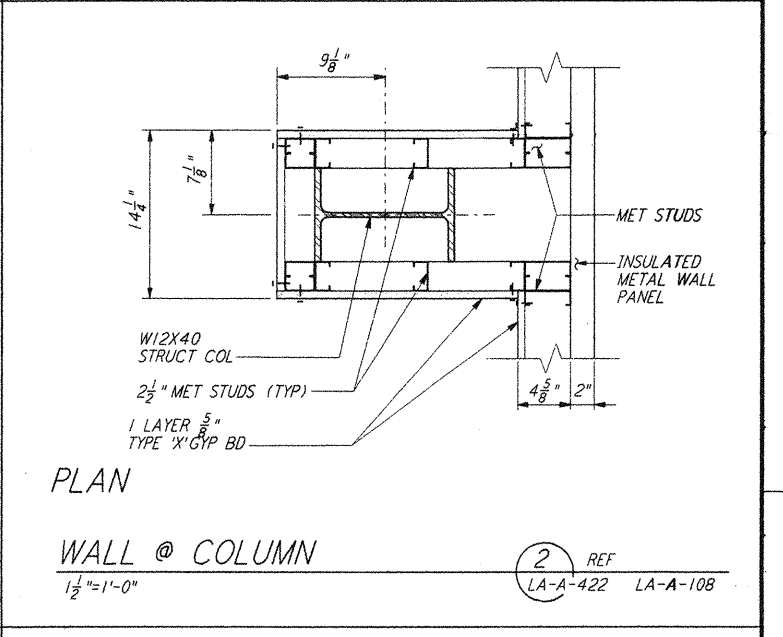
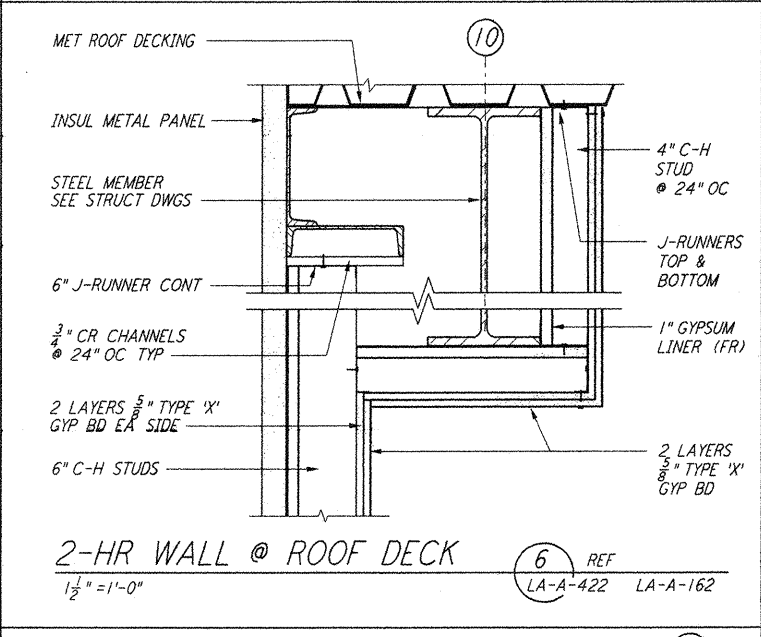
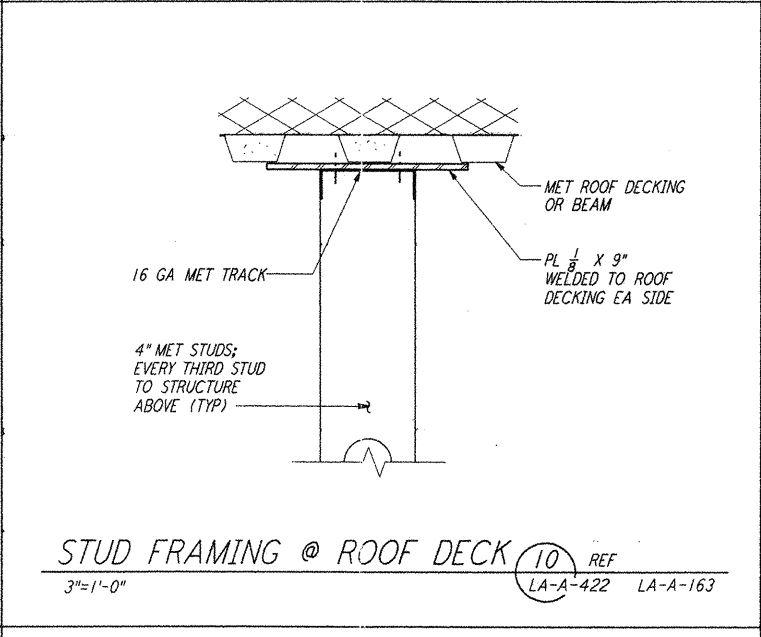
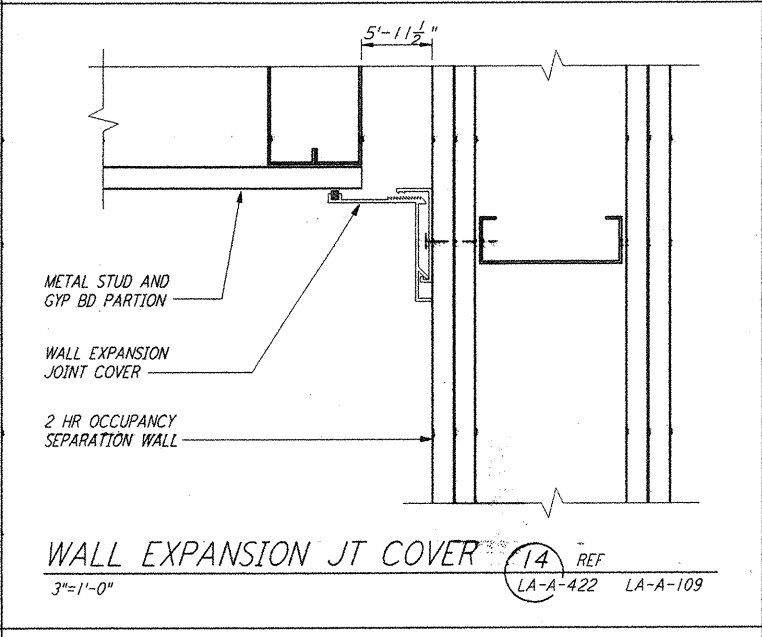
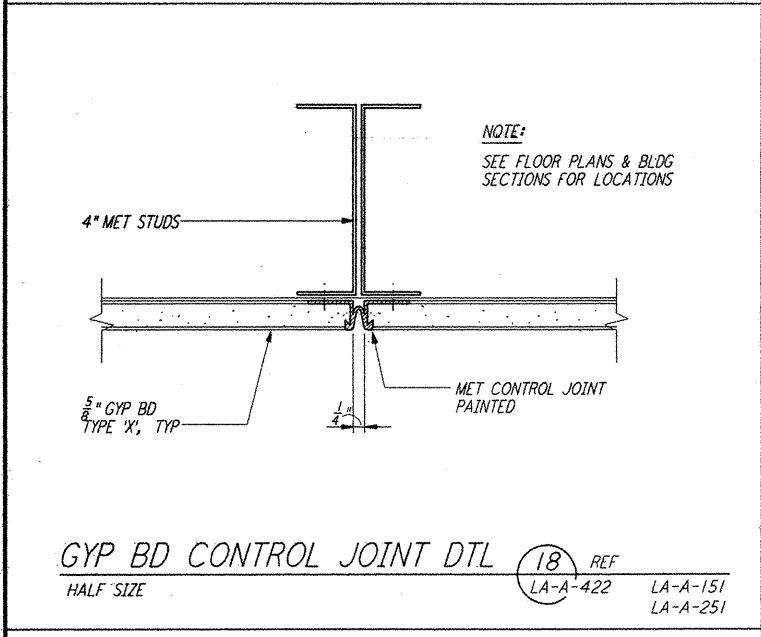
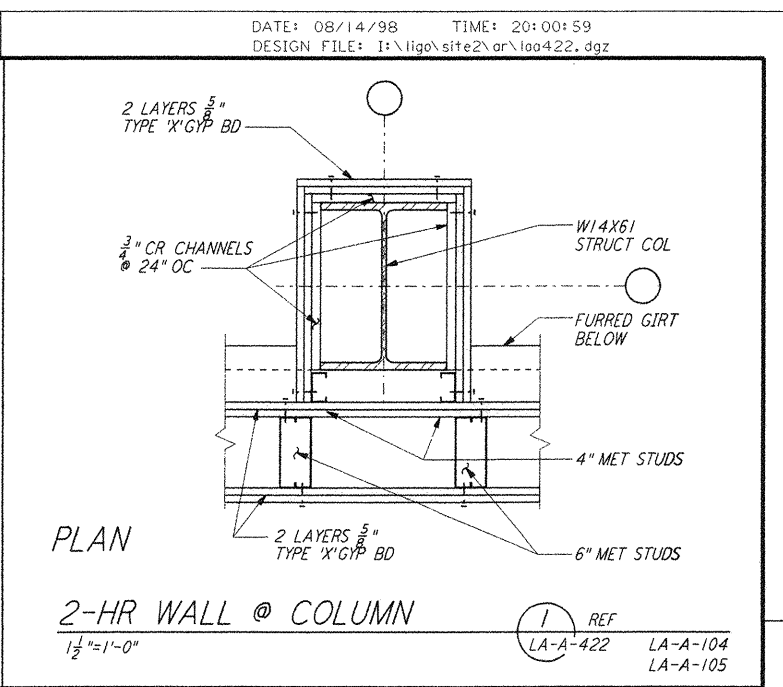
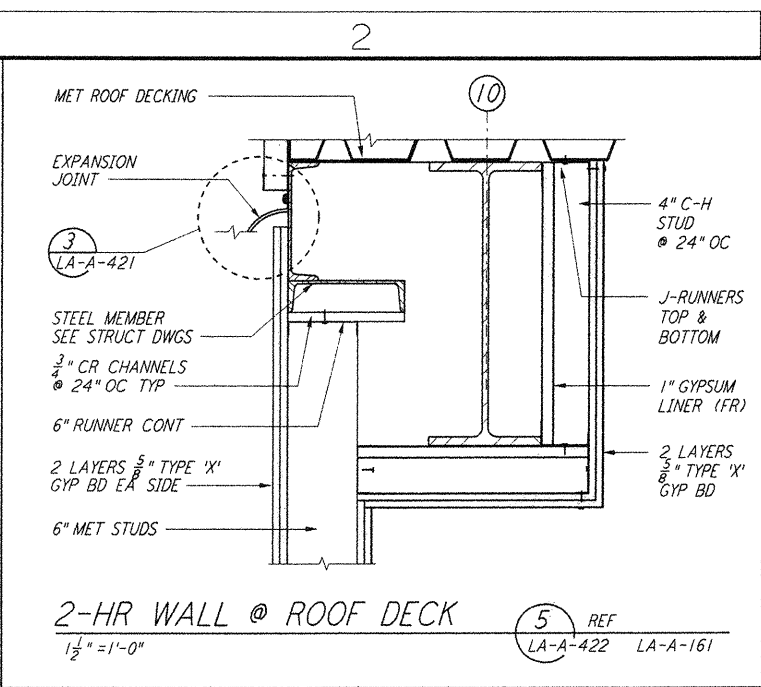
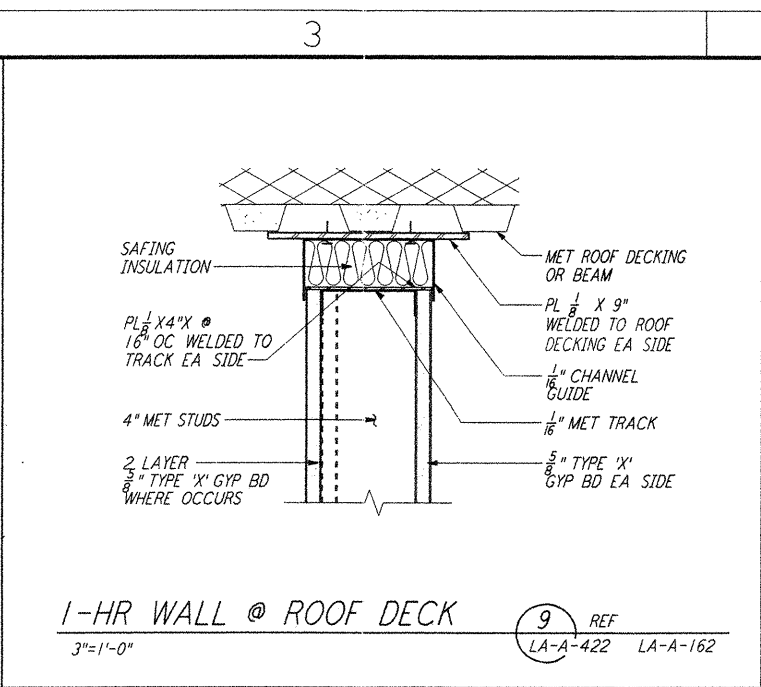
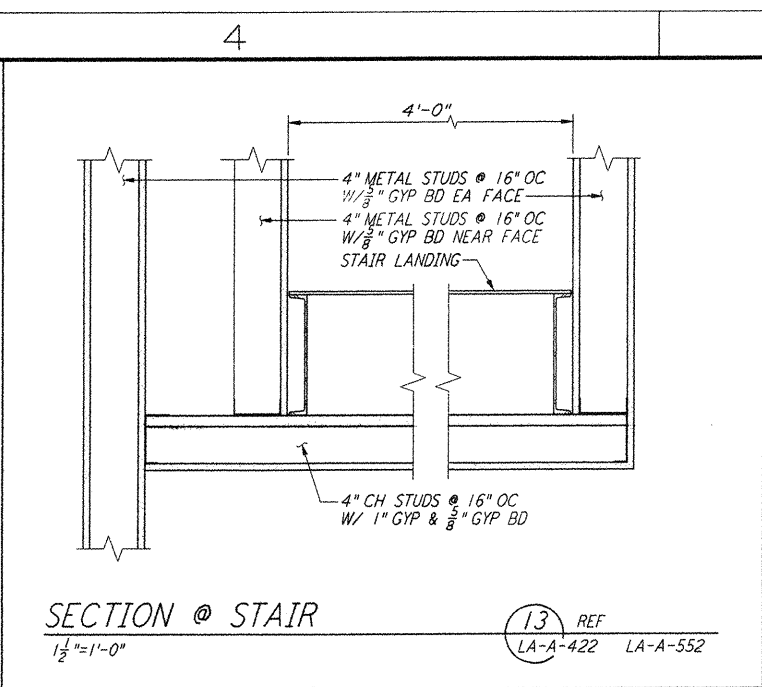
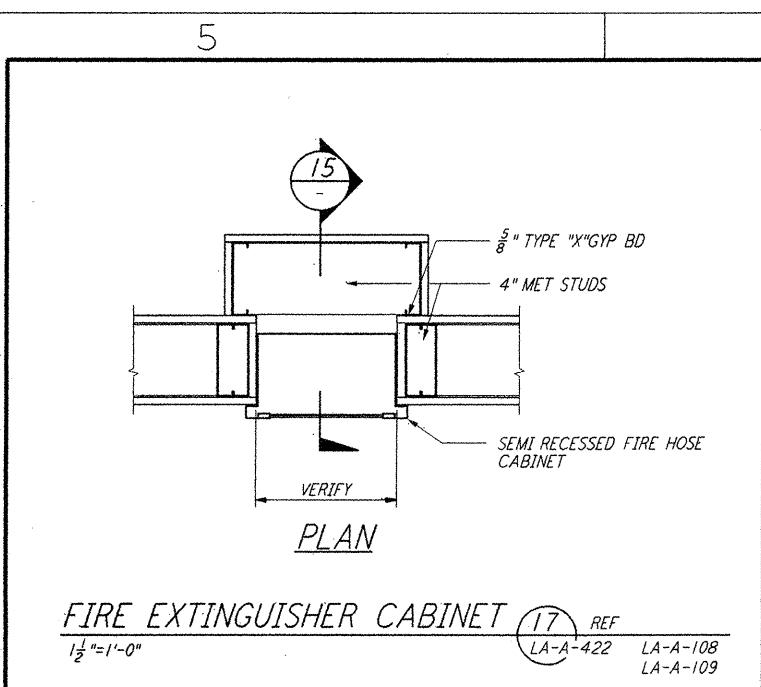


This document and the design it covers are the property of PARSONS. They are loaned only with the borrower's expressed written agreement that they will not be reproduced, copied, loaned, exhibited, or used in any other way, except by written consent from PARSONS to the borrower.



NO.	DATE	BY	CHKD	ENGR	PROJ	DESCRIPTION
2	08-07-98	SJM	AK	AK	MDW	ISSUED FOR AS-BUILT
1	2-28-97	CRK	TB	AK	MDW	CORNER STATION VSEA PARTITION

ISSUED FOR CONSTRUCTION  
 DRAWN: BK/RR 11-15-96  
 CHECKED: TB 11-15-96  
 ENGINEER: SF 11-15-96  
 PROJ: MDW 11-15-96

**AS-BUILT DRAWINGS**

**PARSONS**  
 100 WEST WALNUT STREET  
 PASADENA, CALIFORNIA

**LIGO**  
 CALIFORNIA INSTITUTE OF TECHNOLOGY  
 MASSACHUSETTS INSTITUTE OF TECHNOLOGY

**LIGO-D960899-02-0**  
 LASER INTERFEROMETER  
 GRAVITATIONAL-WAVE OBSERVATORY  
 SITE NO. 2 - LIVINGSTON, LOUISIANA

ARCHITECTURAL INTERIOR WALL DETAILS  
 AS NOTED  
 CONTRACT NUMBER: PPI50969  
 PROJECT NUMBER: 8094  
 SHEET NUMBER: LA-A-422  
 REVISIONS: 2

14-2080822-1998 C:\PLOT\JOB\53-15822\CF 52885 K:\19882\wr422.dwg  
 LIGOLAF.BDR