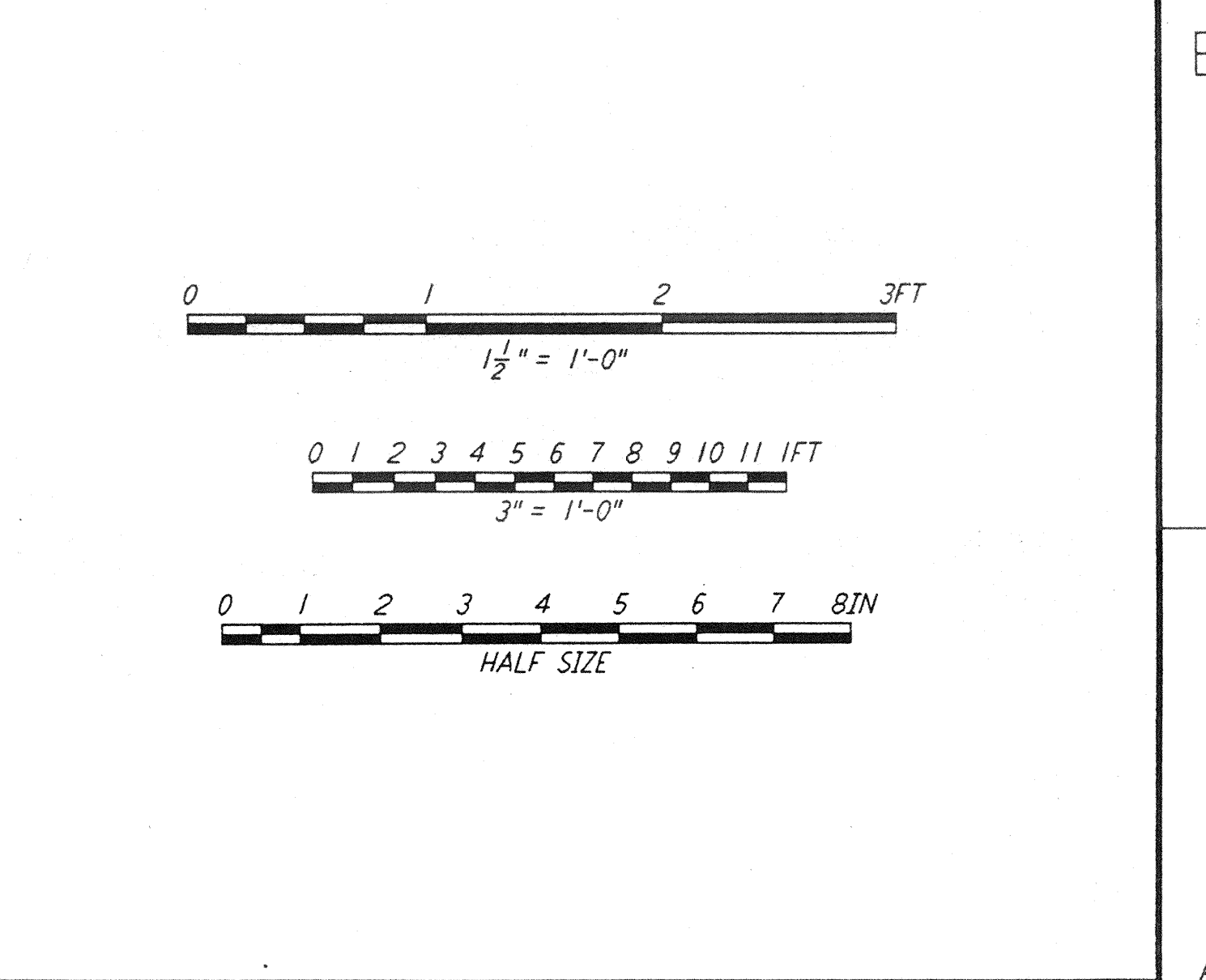
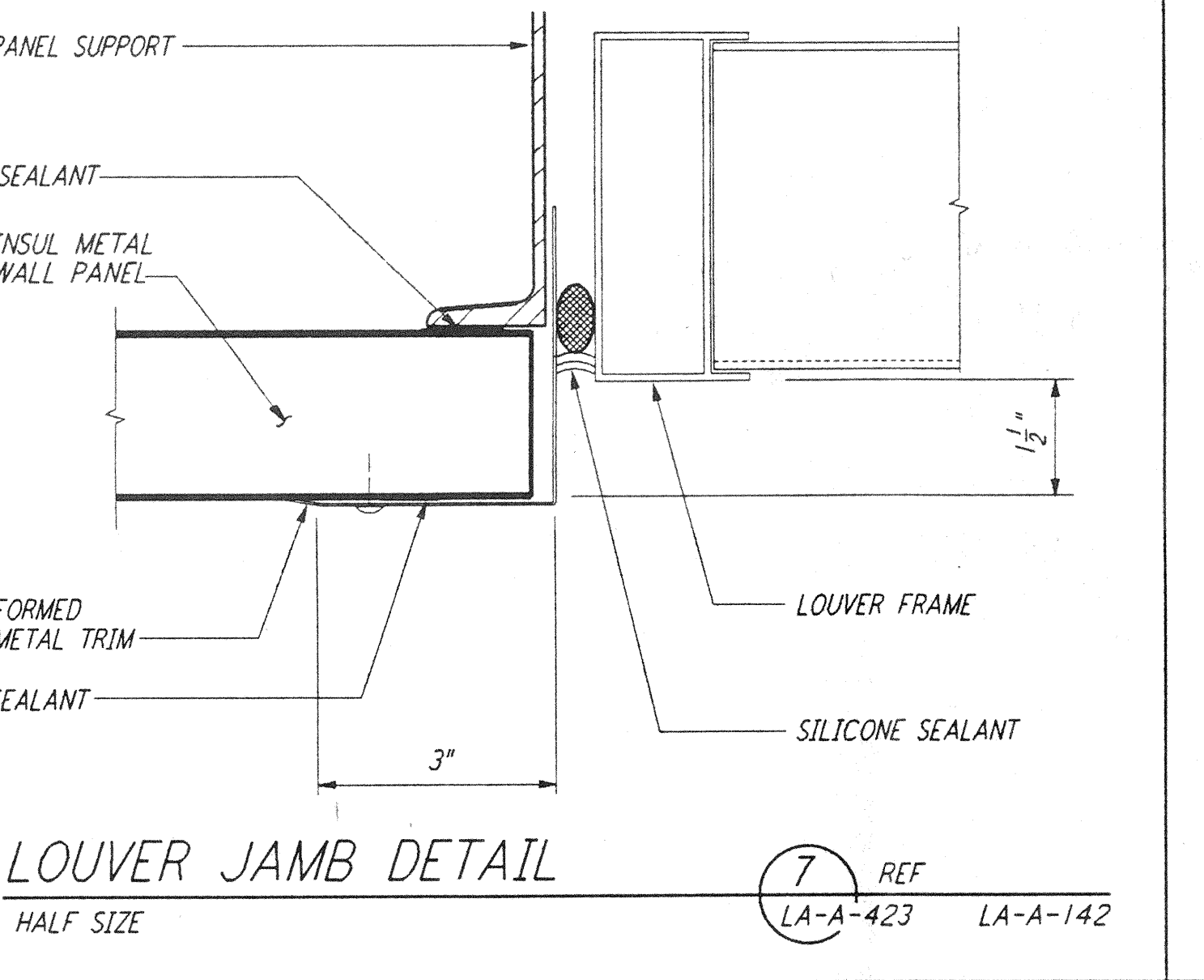
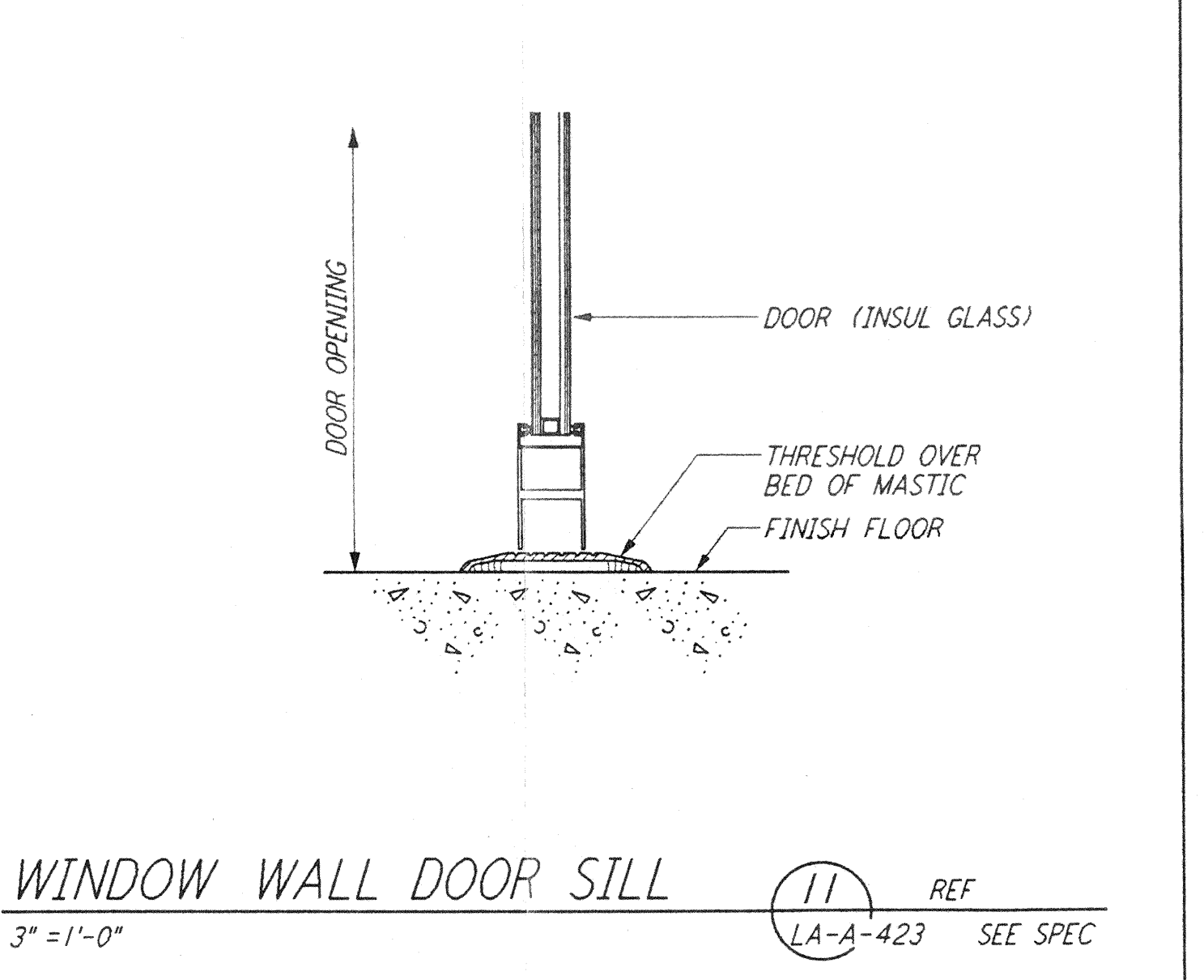
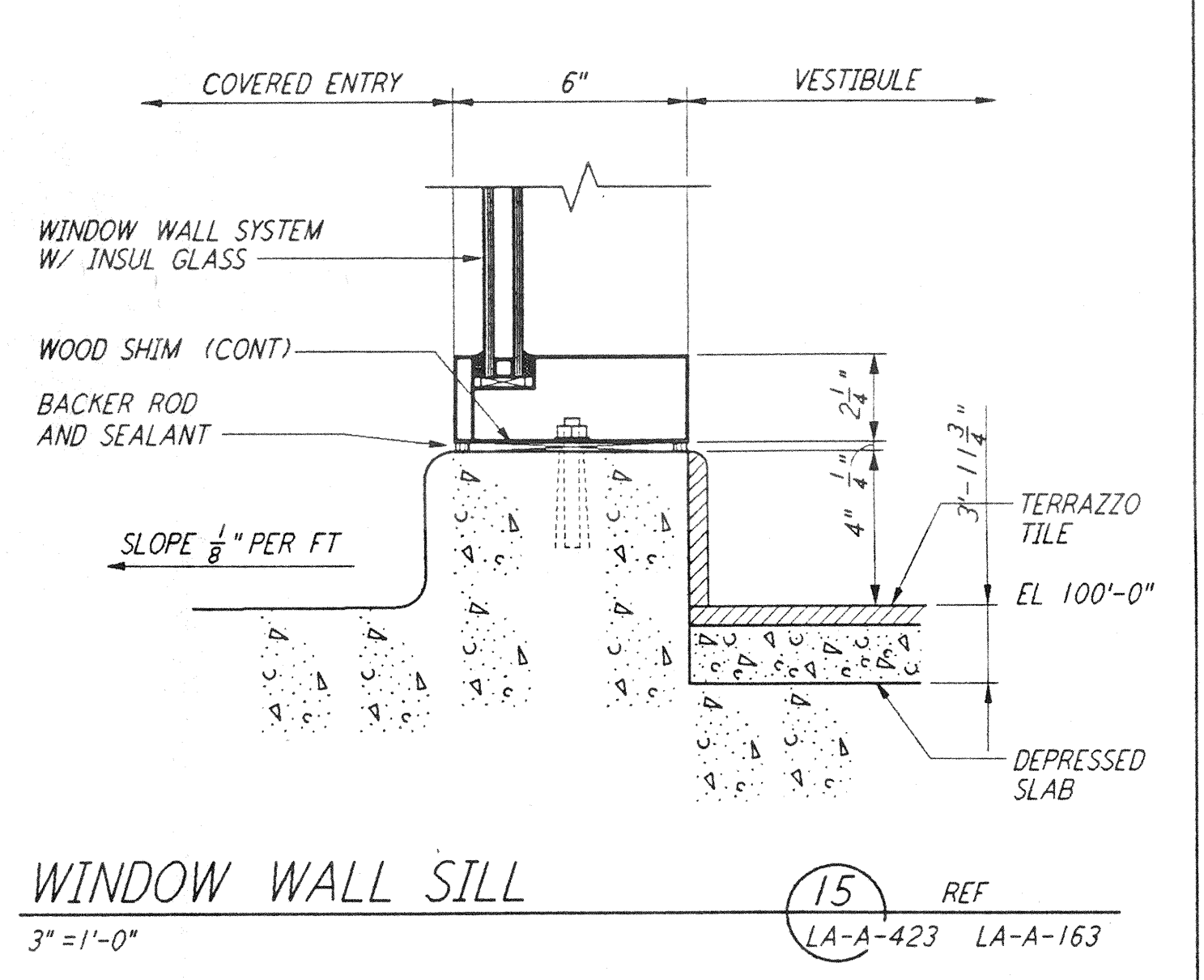
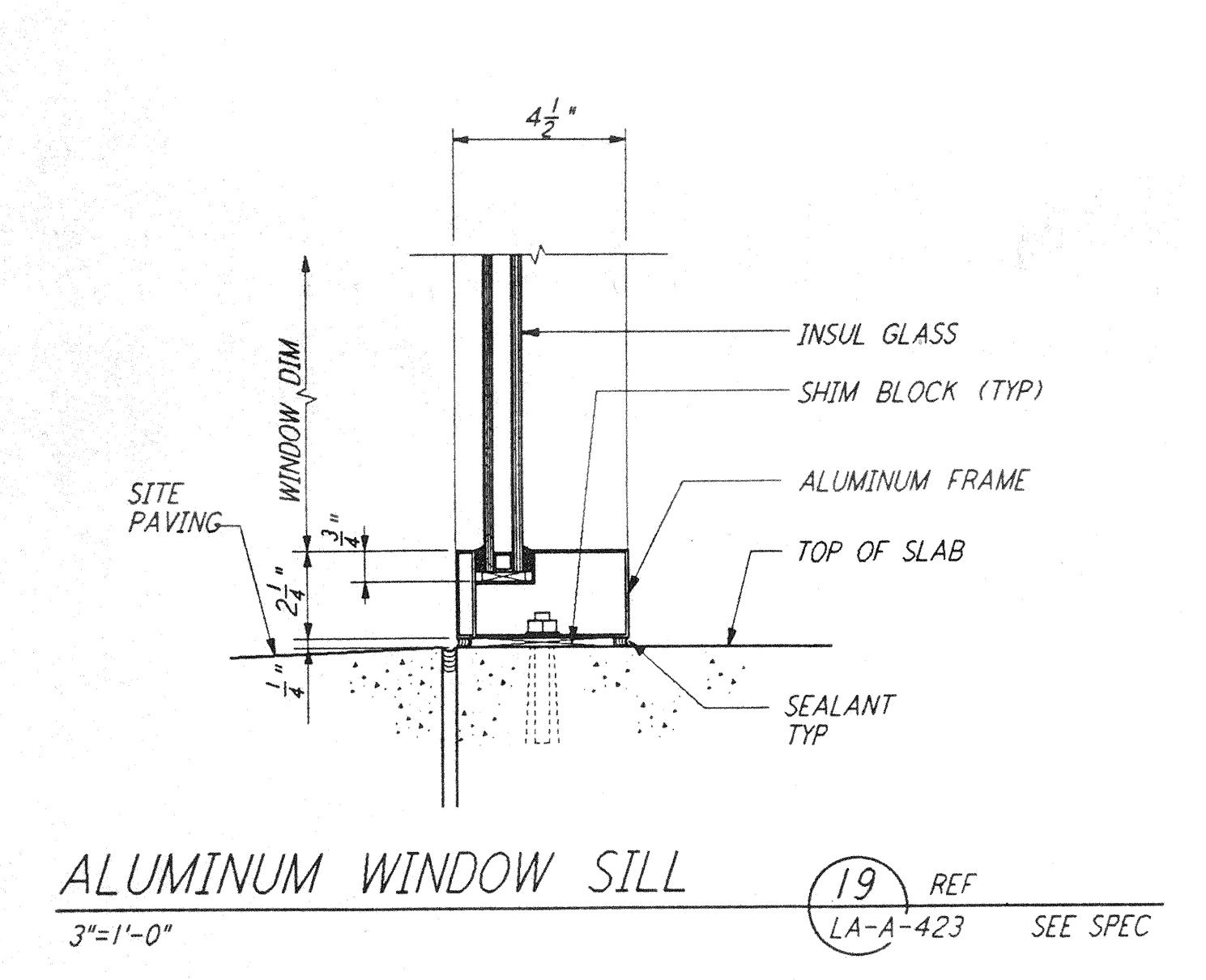
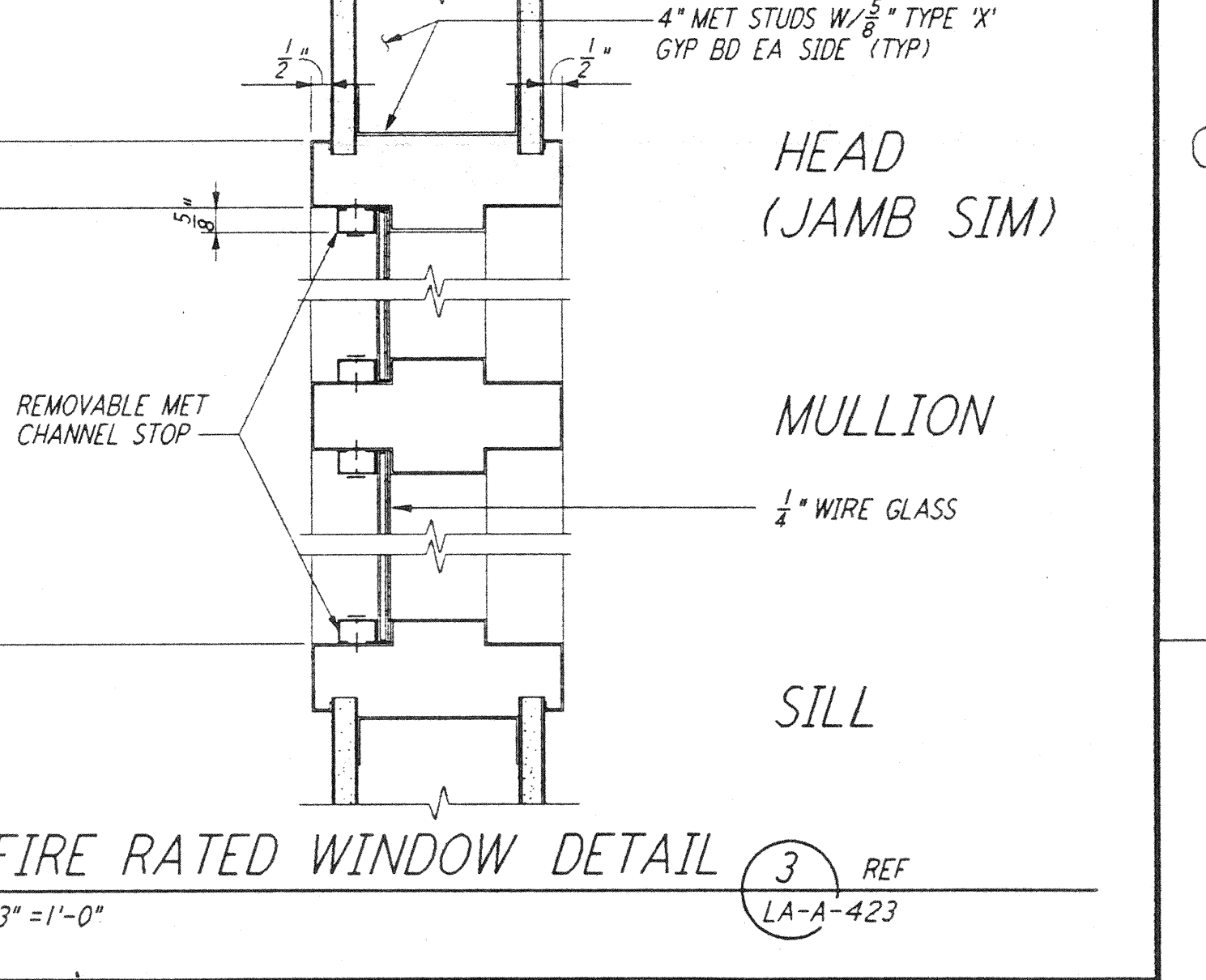
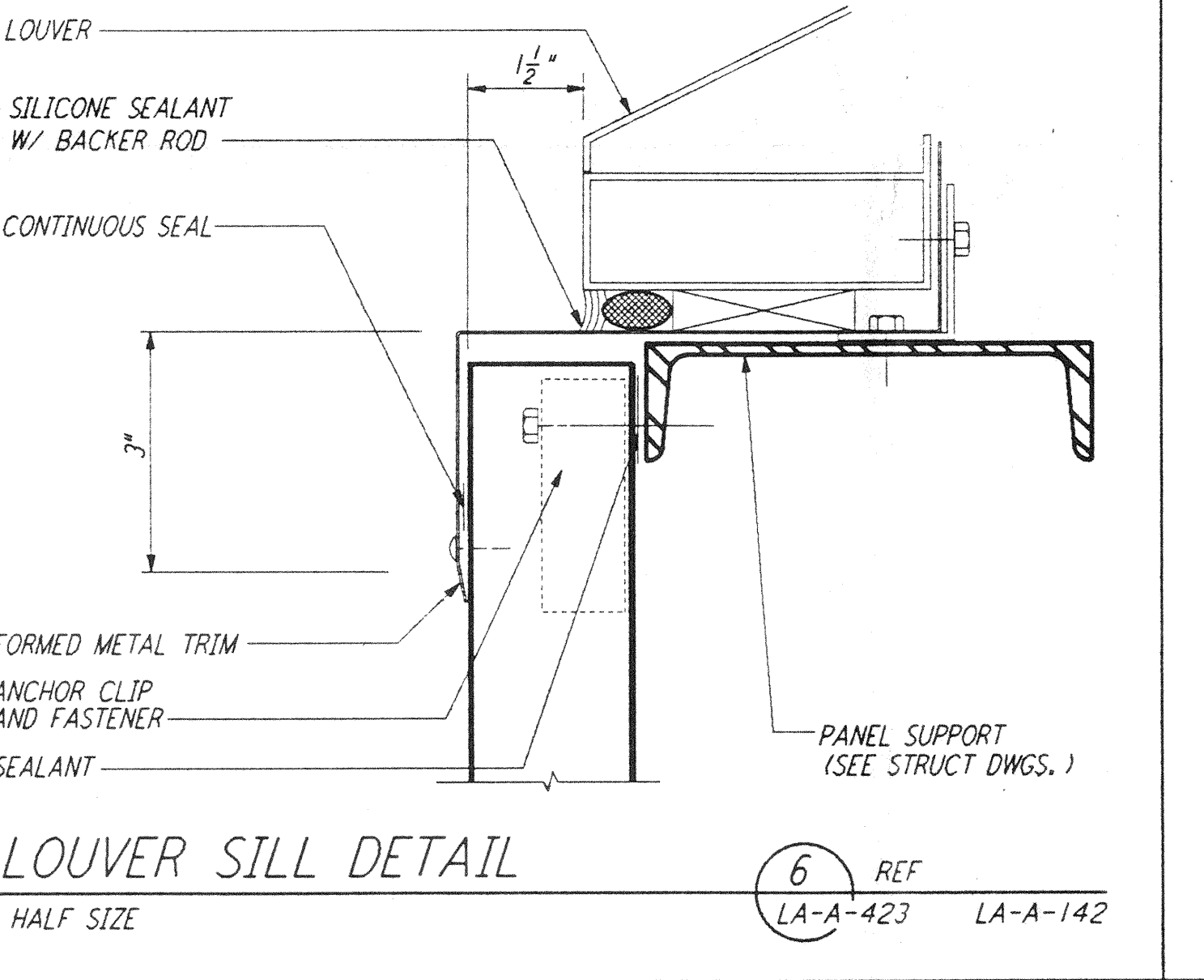
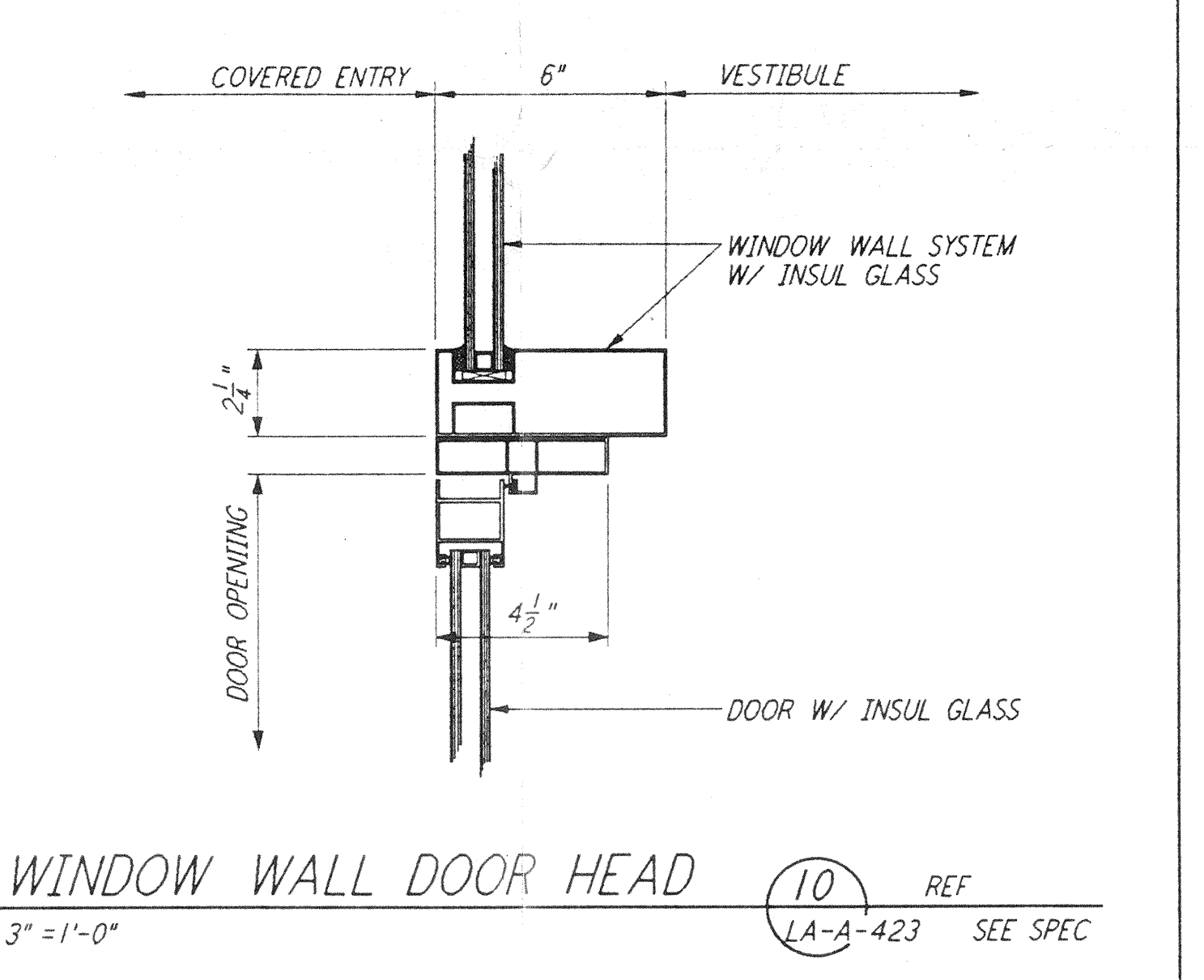
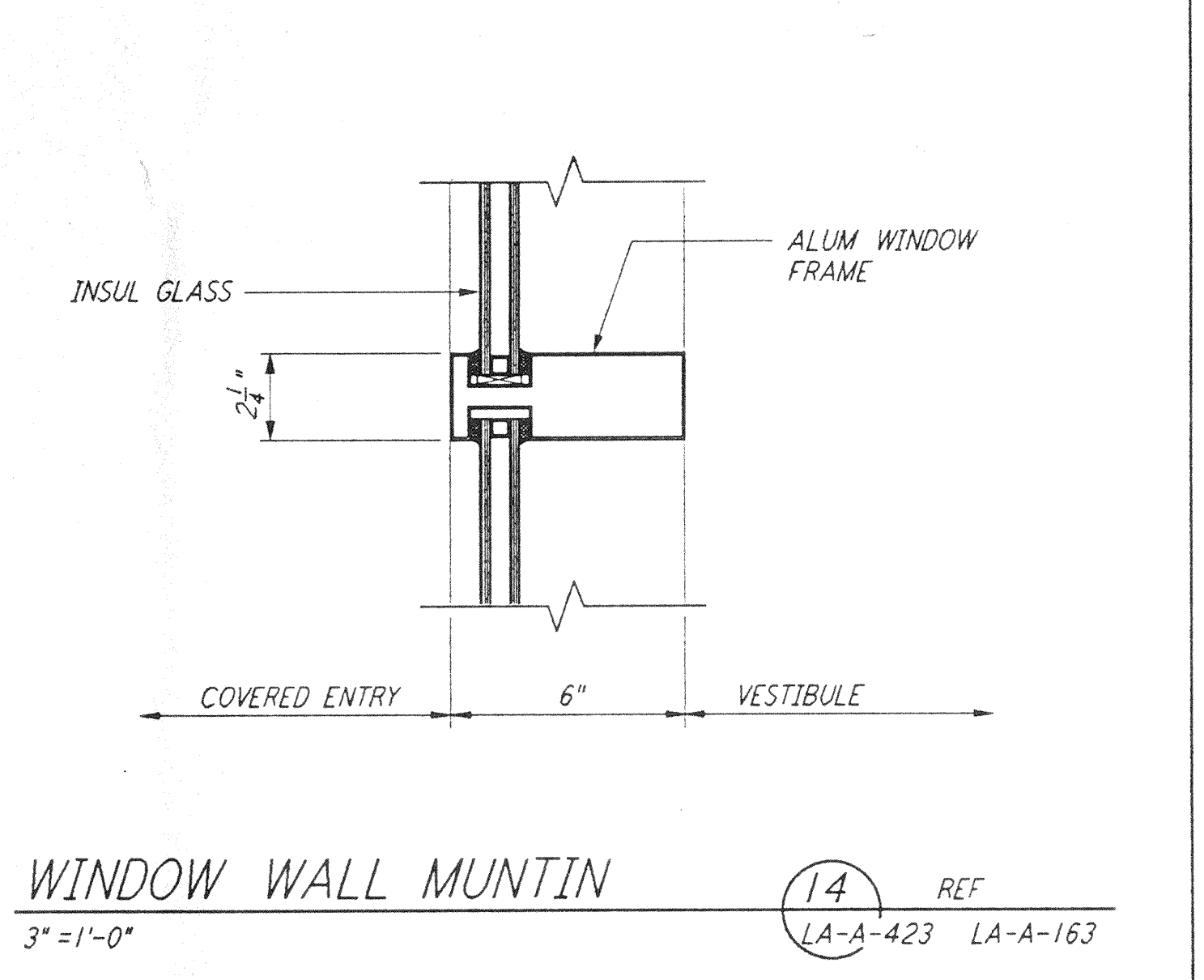
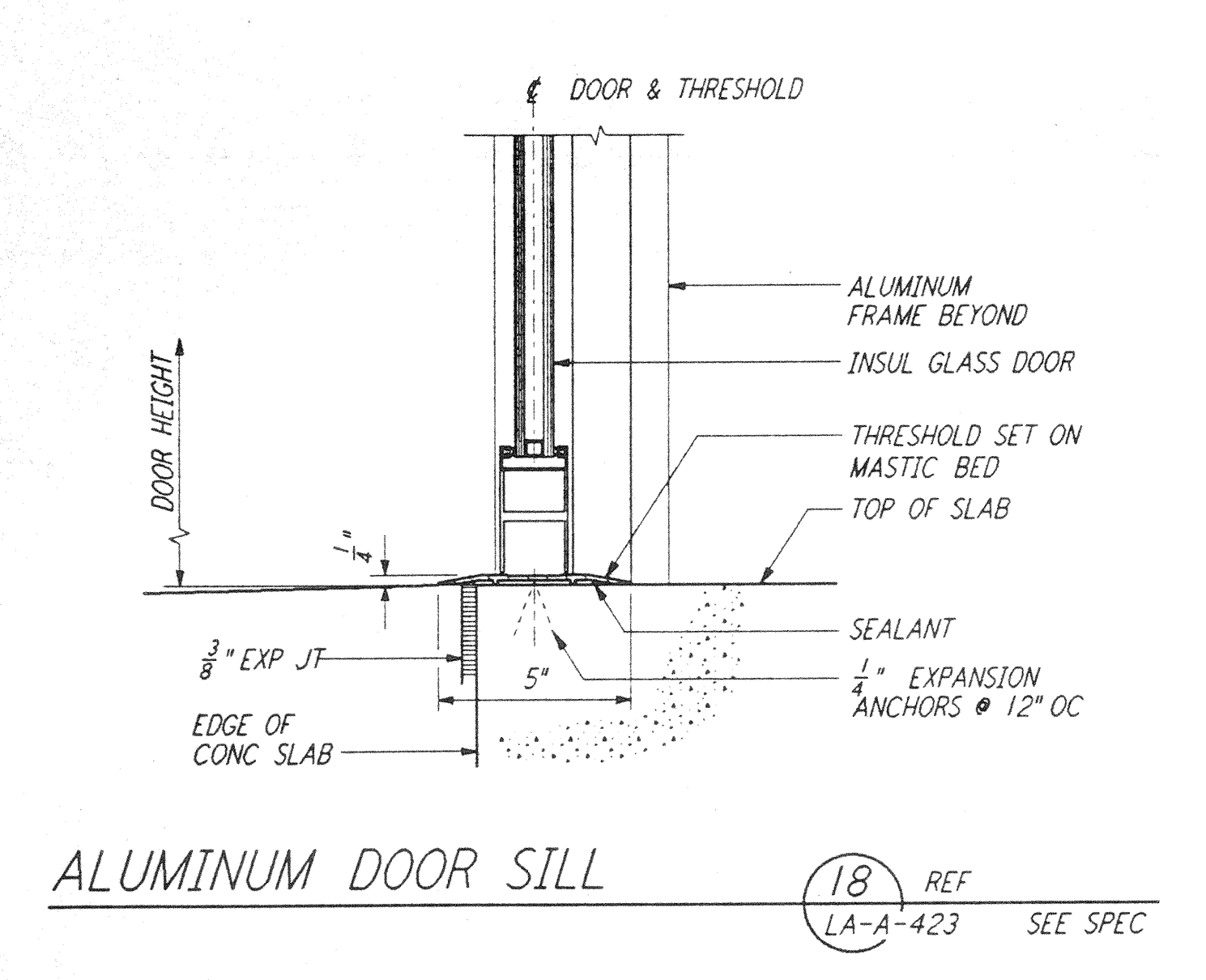
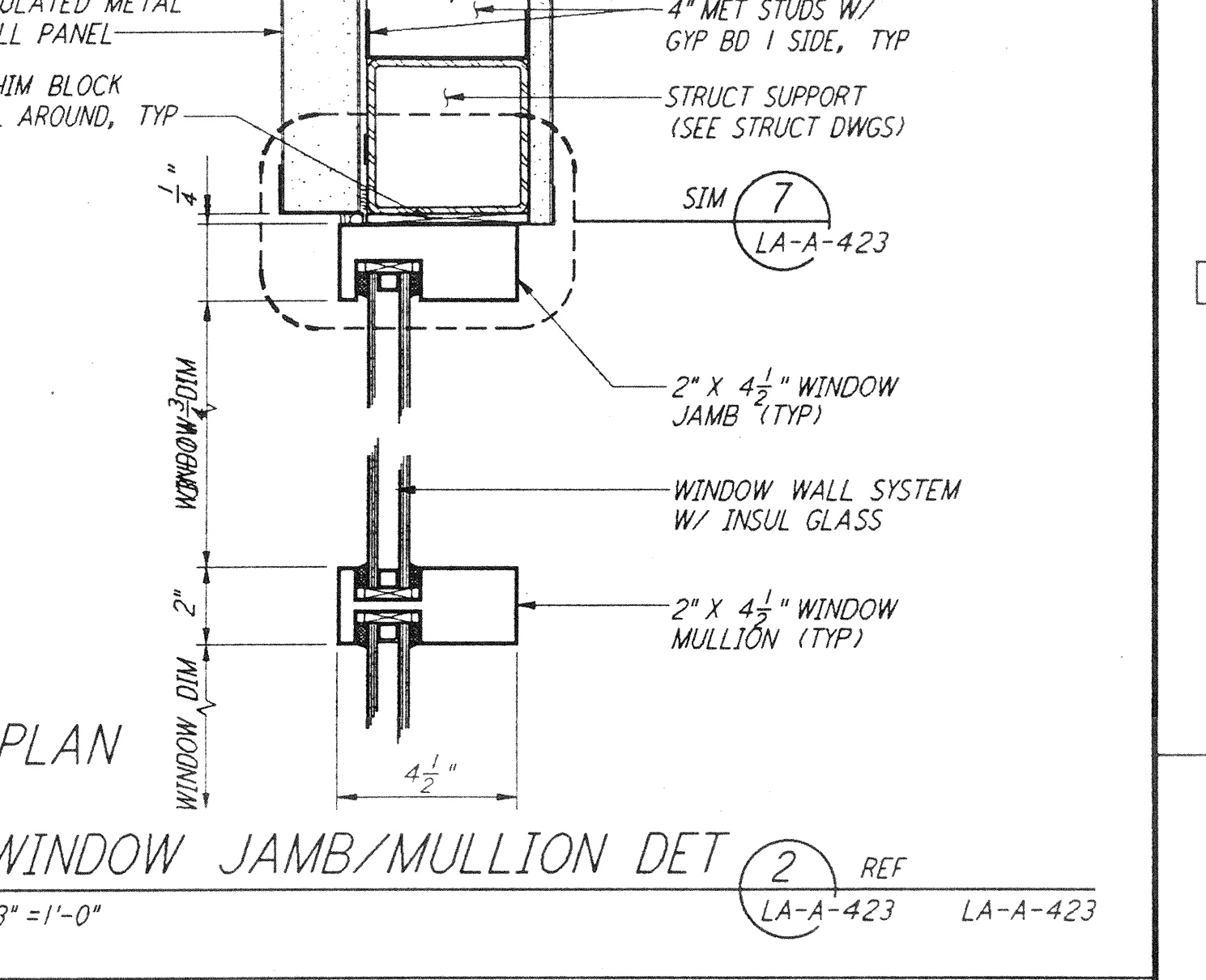
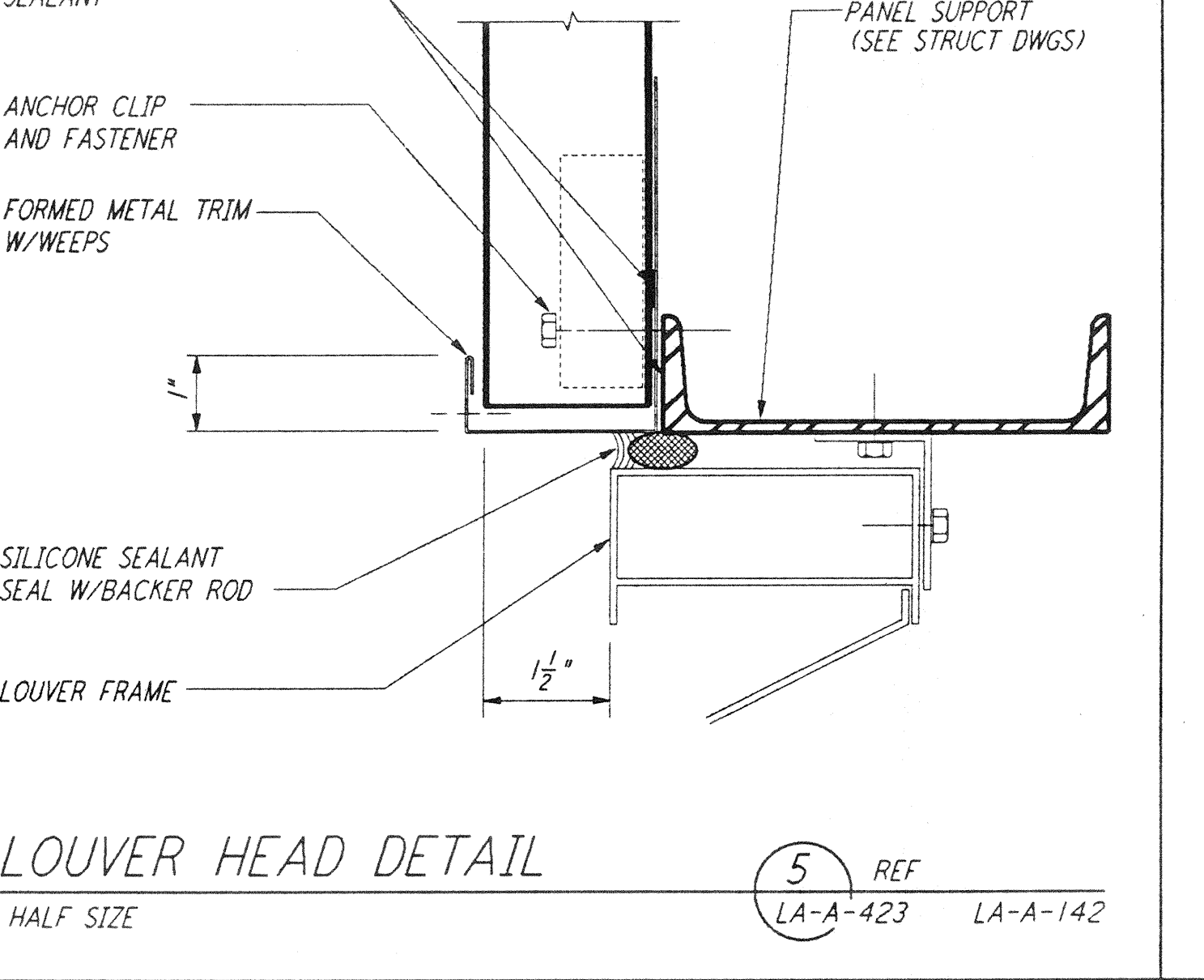
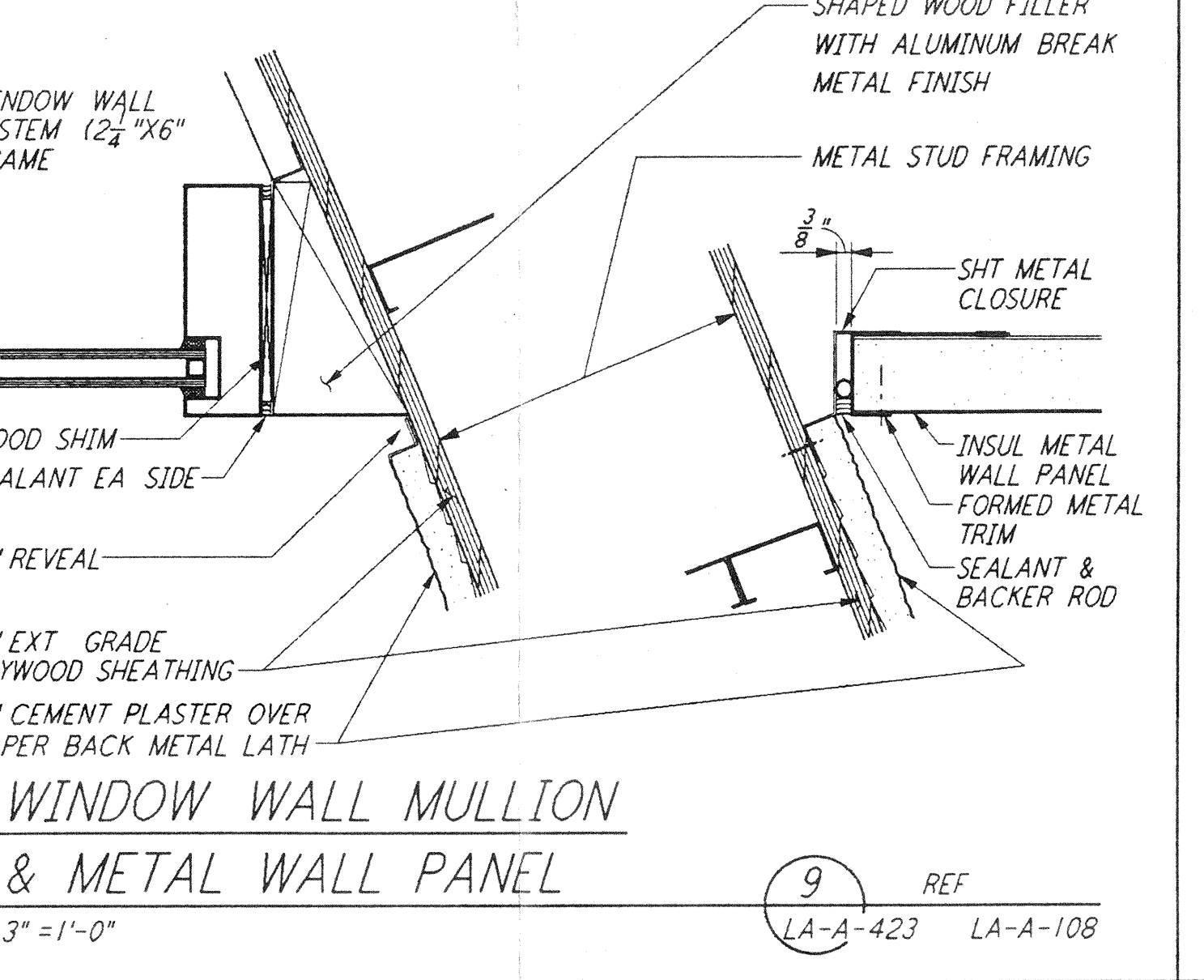
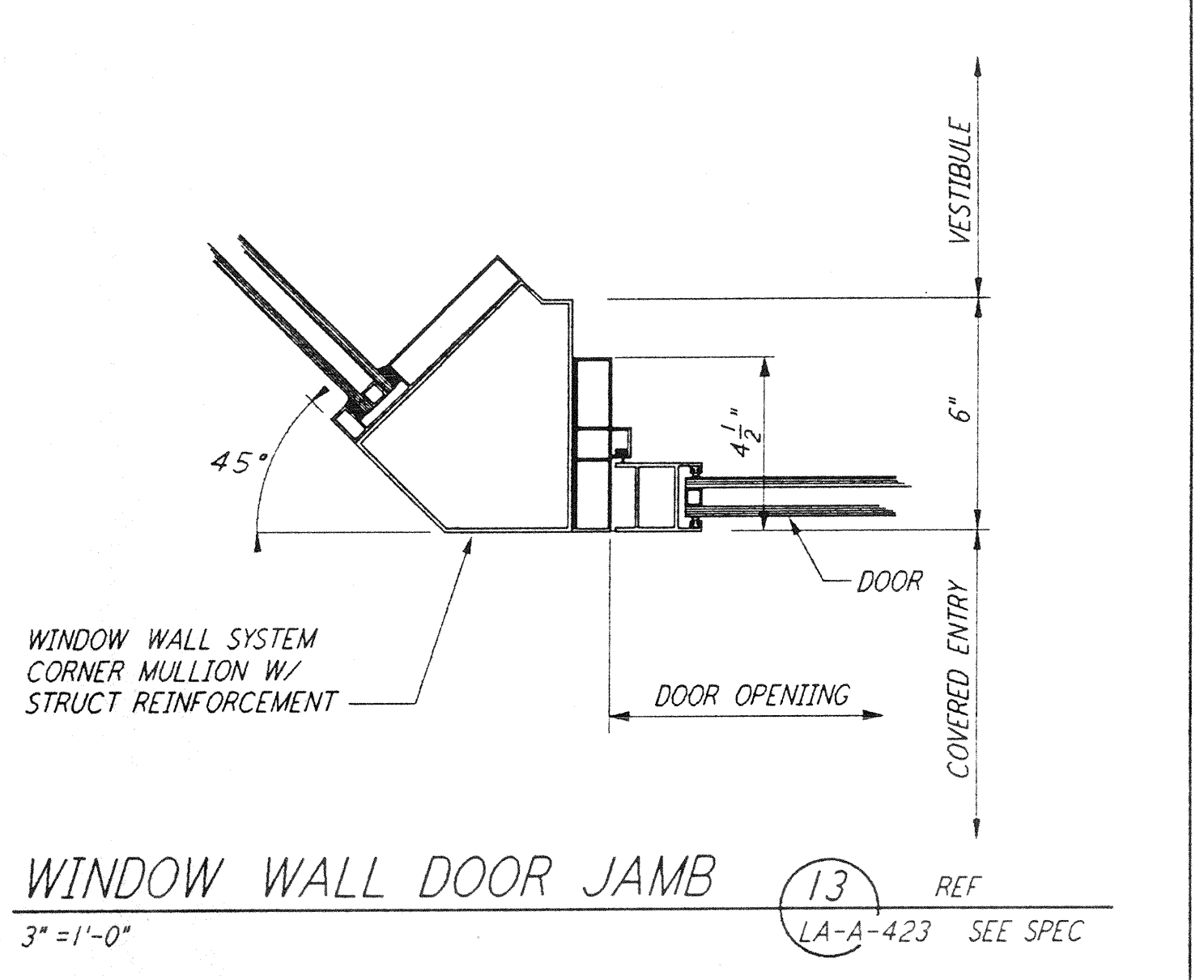
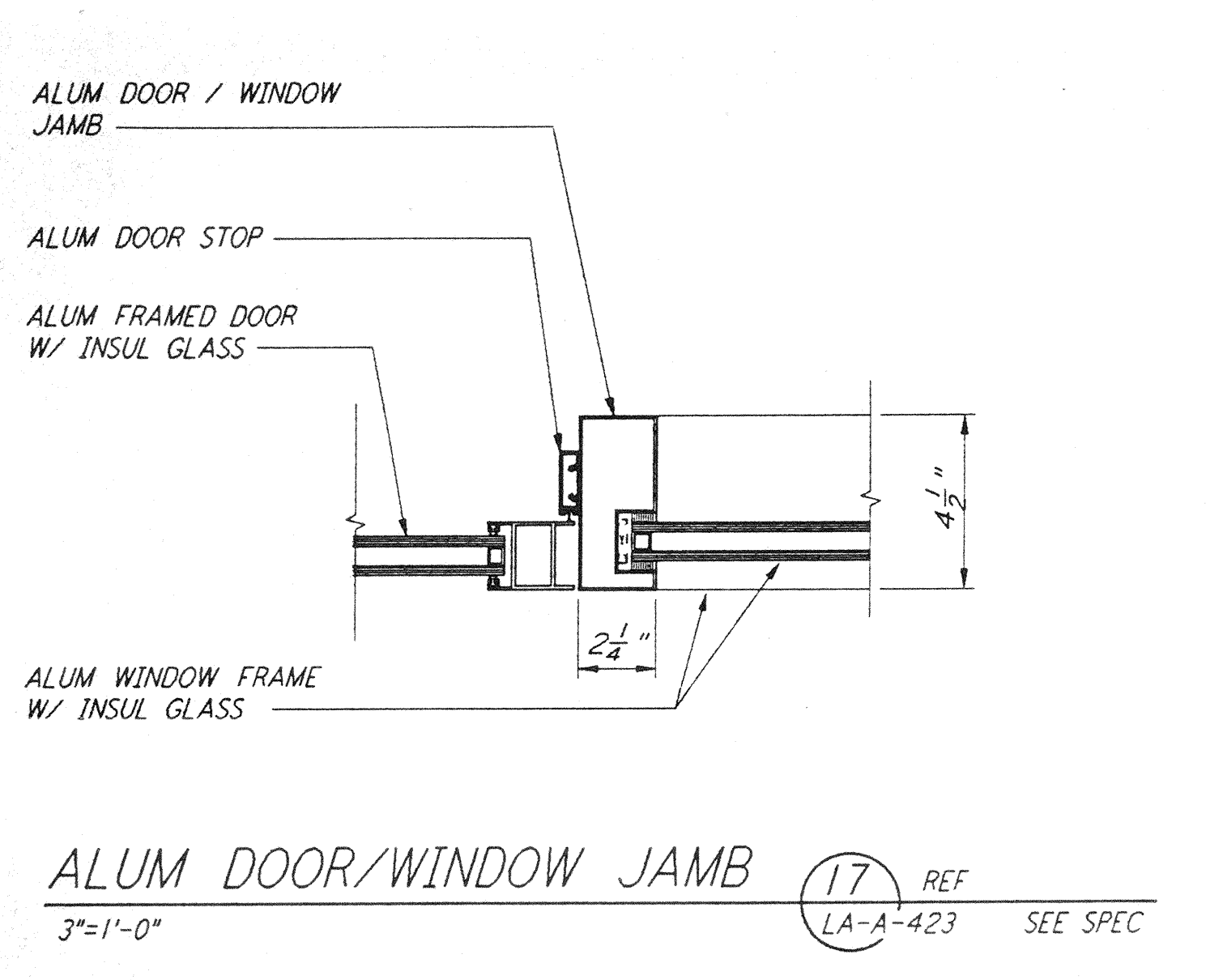
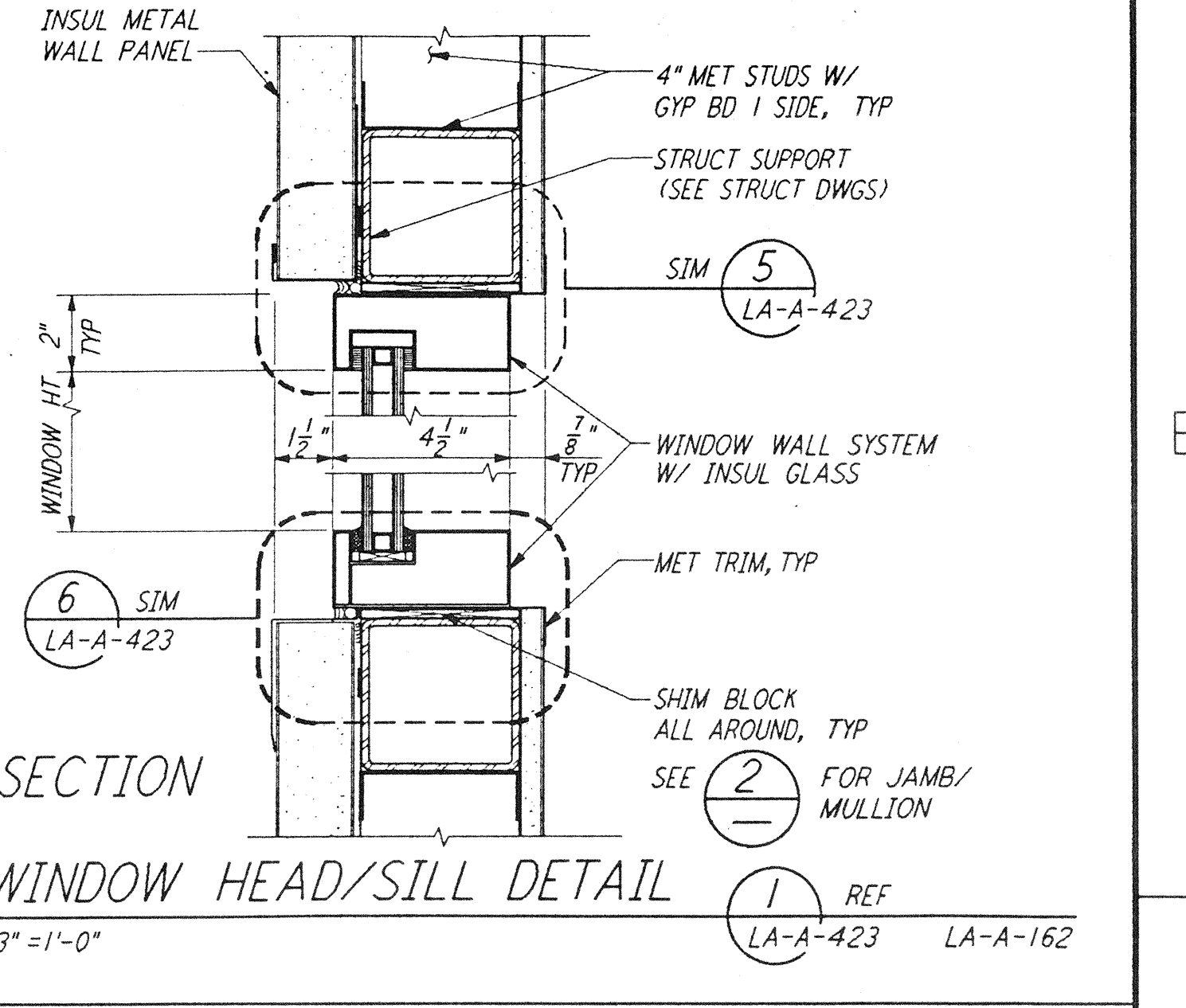
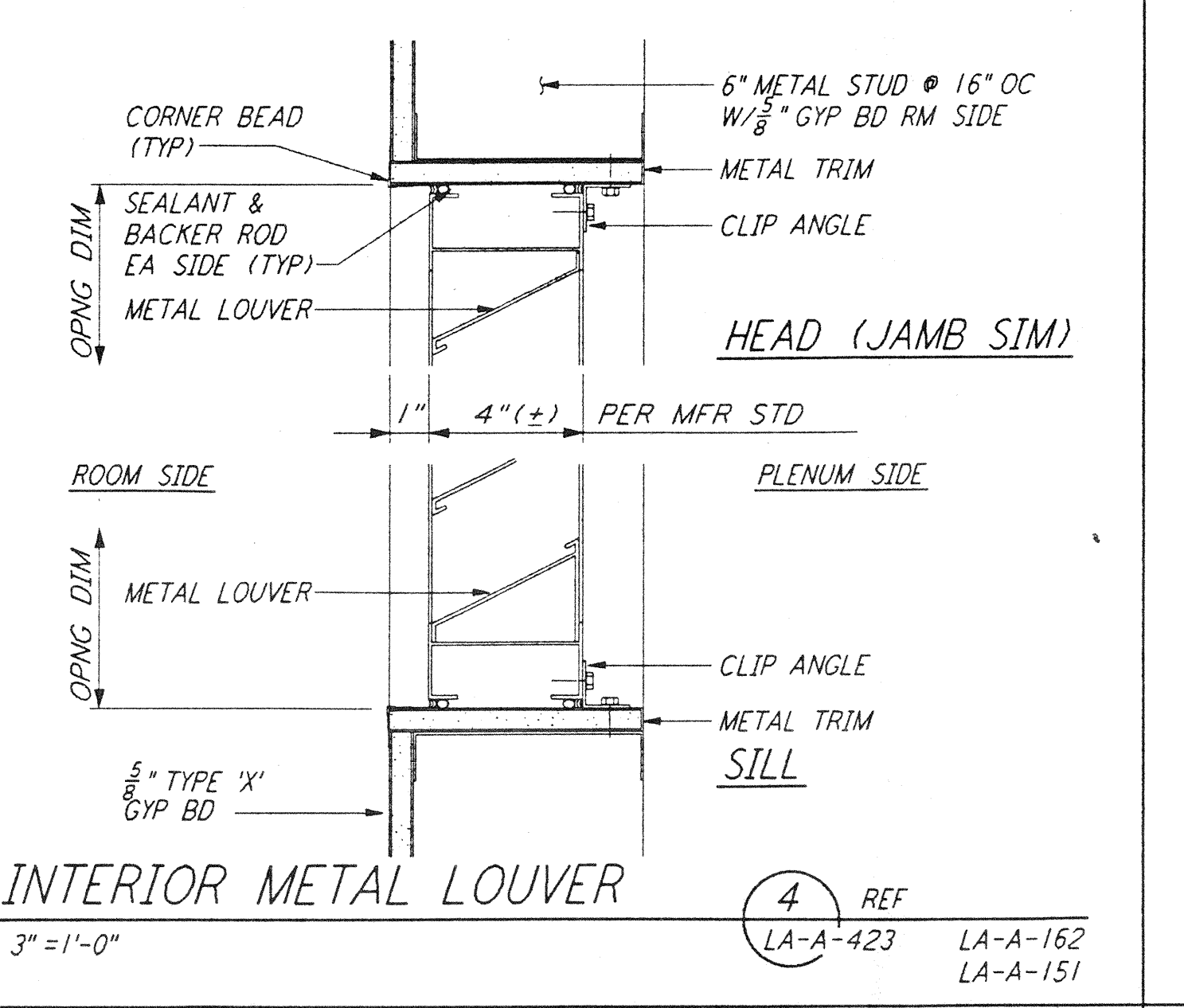
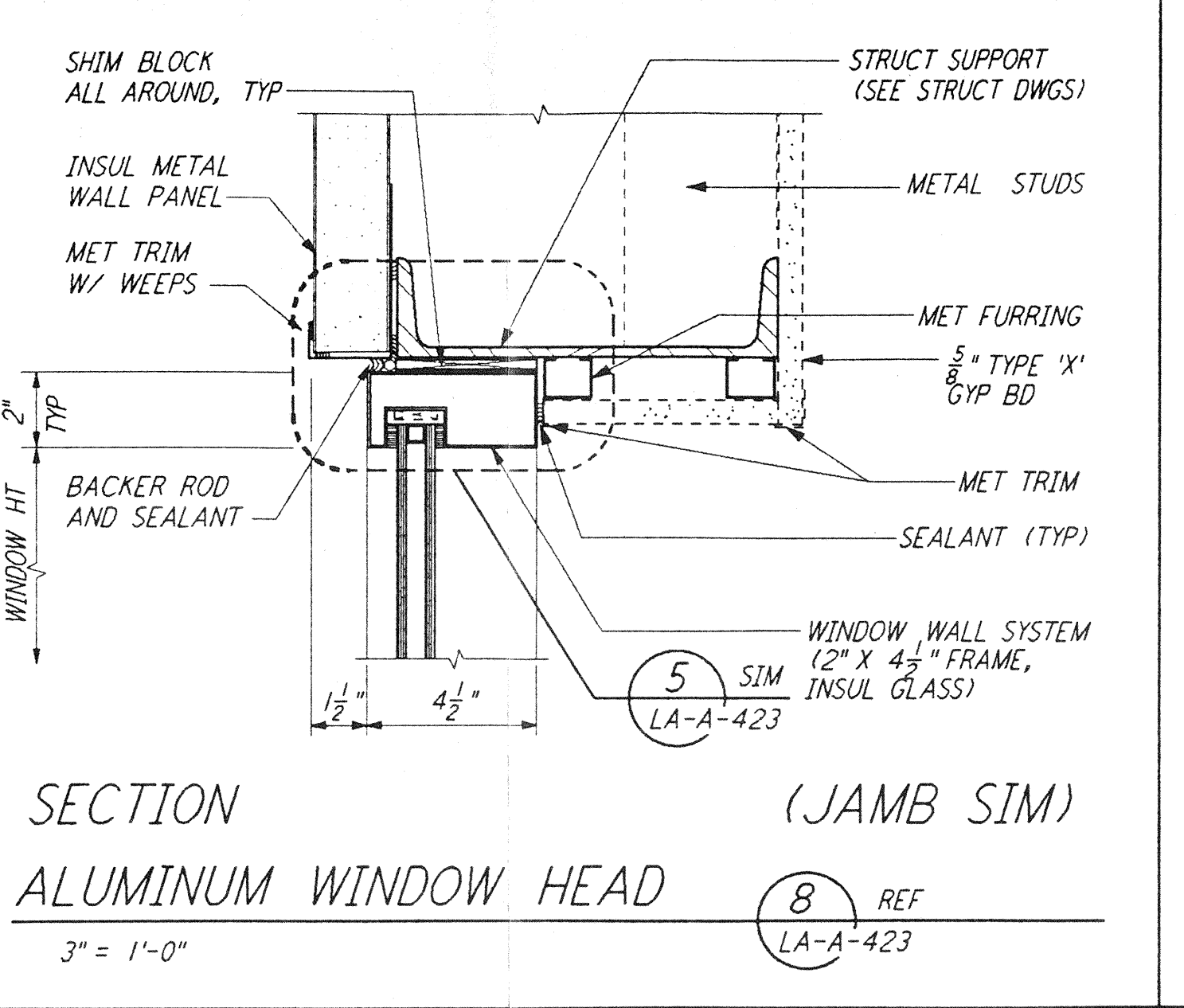
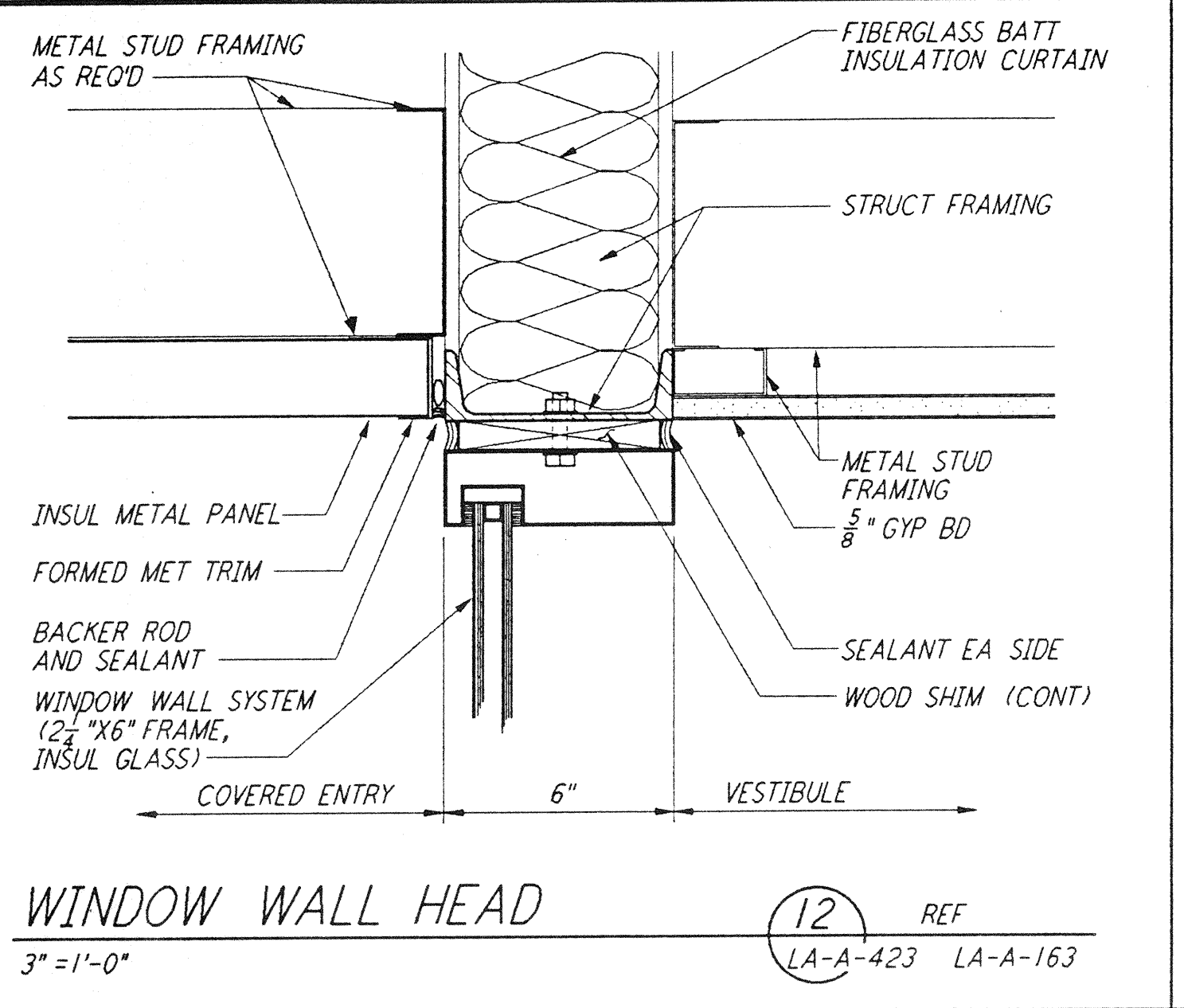
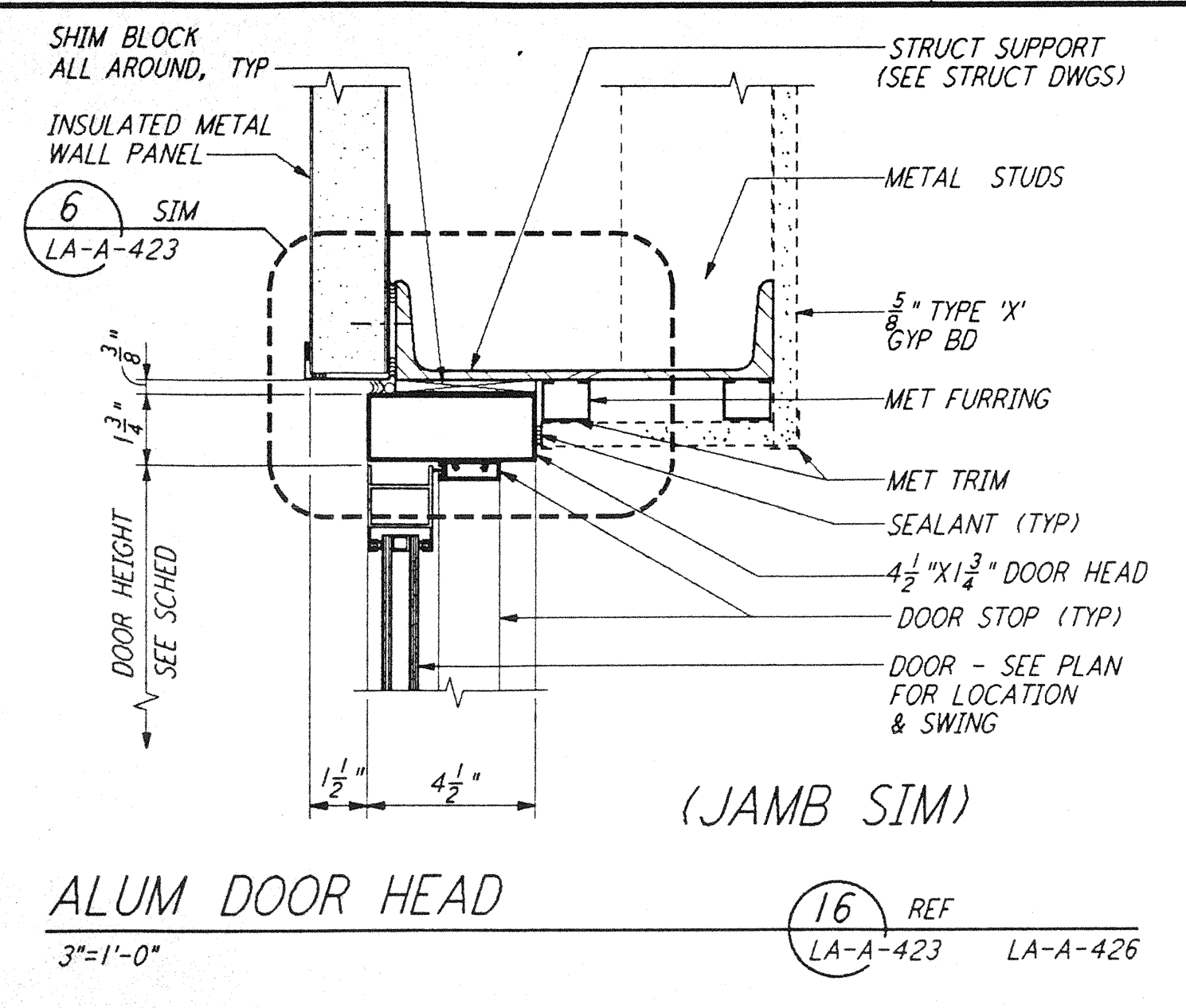


This document and the design it covers are the property of PARSONS. They are loaned only with the borrower's expressed written agreement that they will not be reproduced, copied, loaned, exhibited, or used in any other way, except by written consent from PARSONS to the borrower.



NO.	DATE	BY	CHKD	ENGR	PROJ	DESCRIPTION

NO.	DATE	BY	CHKD	ENGR	PROJ	DESCRIPTION

ISSUED FOR CONSTRUCTION

DRAWN	BK/RR	11-15-96
CHECKED	TB	11-15-96
ENGINEER	SP	11-15-96
PROJ	ES/DA	11/15/96

100 WEST WALNUT STREET  
PASADENA, CALIFORNIA

**PARSONS**

**LIGO**

CALIFORNIA INSTITUTE OF TECHNOLOGY  
MASSACHUSETTS INSTITUTE OF TECHNOLOGY

LASER INTERFEROMETER  
GRAVITATIONAL-WAVE OBSERVATORY  
SITE NO. 2 - LIVINGSTON, LOUISIANA

ARCHITECTURAL  
WINDOW & LOUVER  
DETAILS

AS NOTED PPI 50969 8094

**LA-A-423**