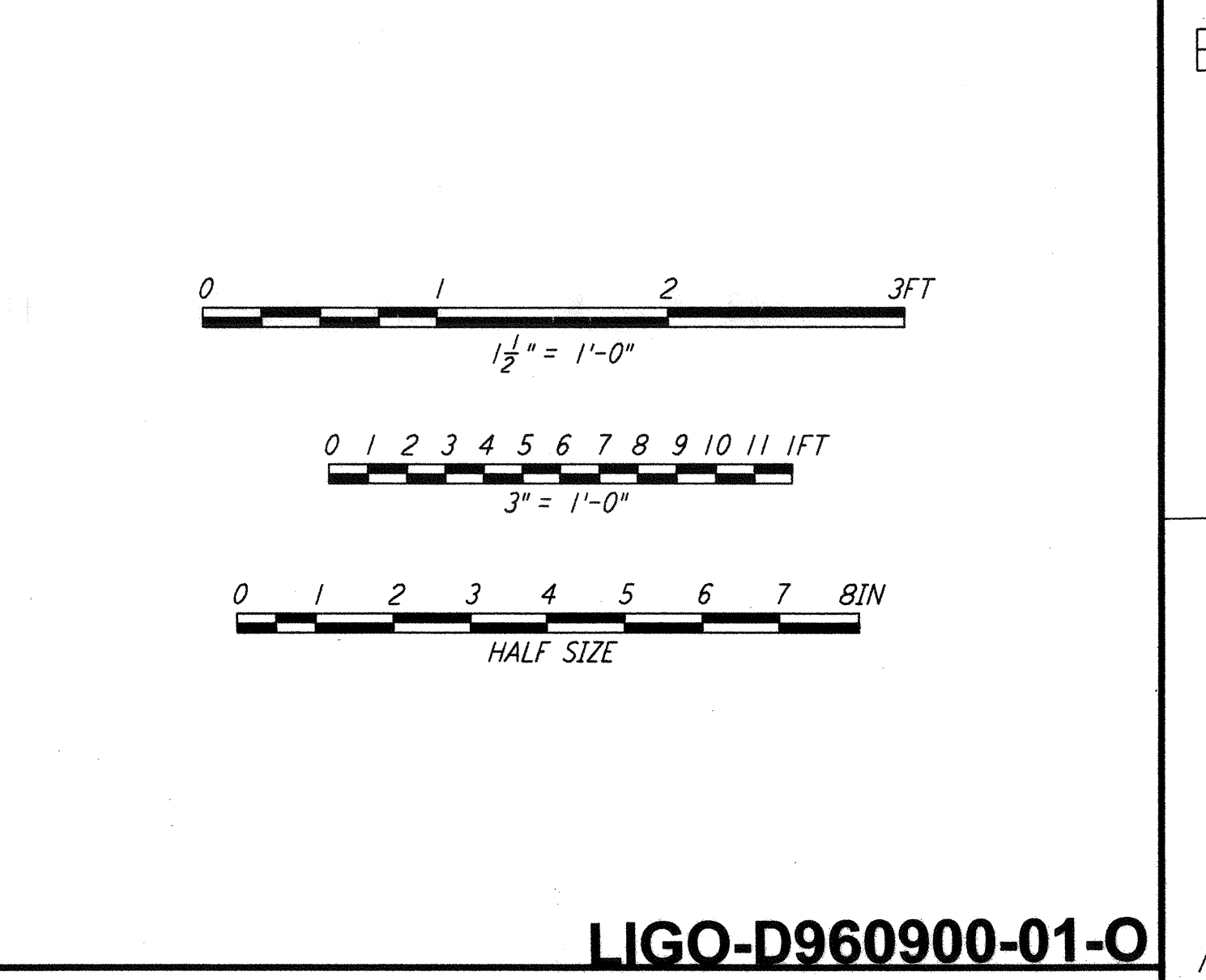
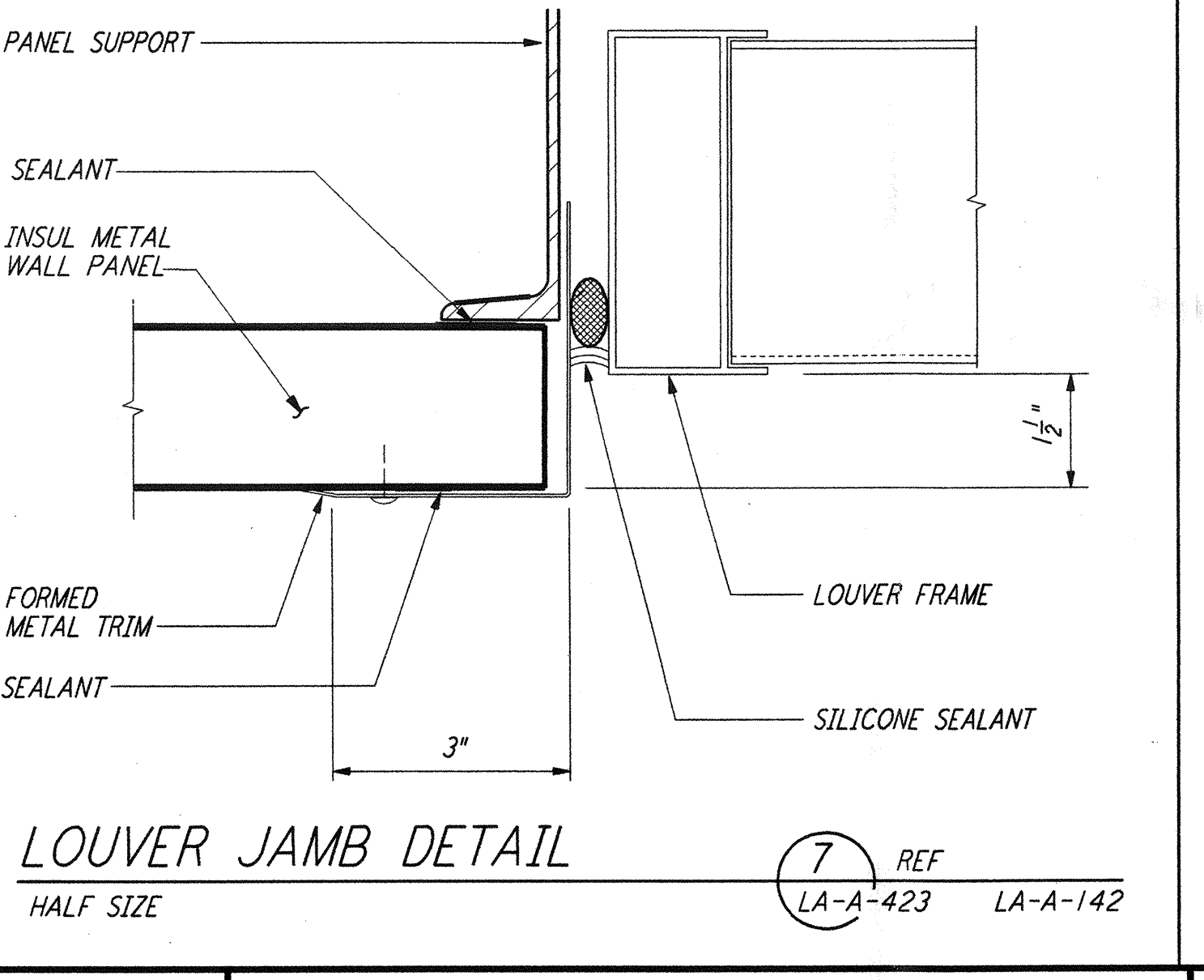
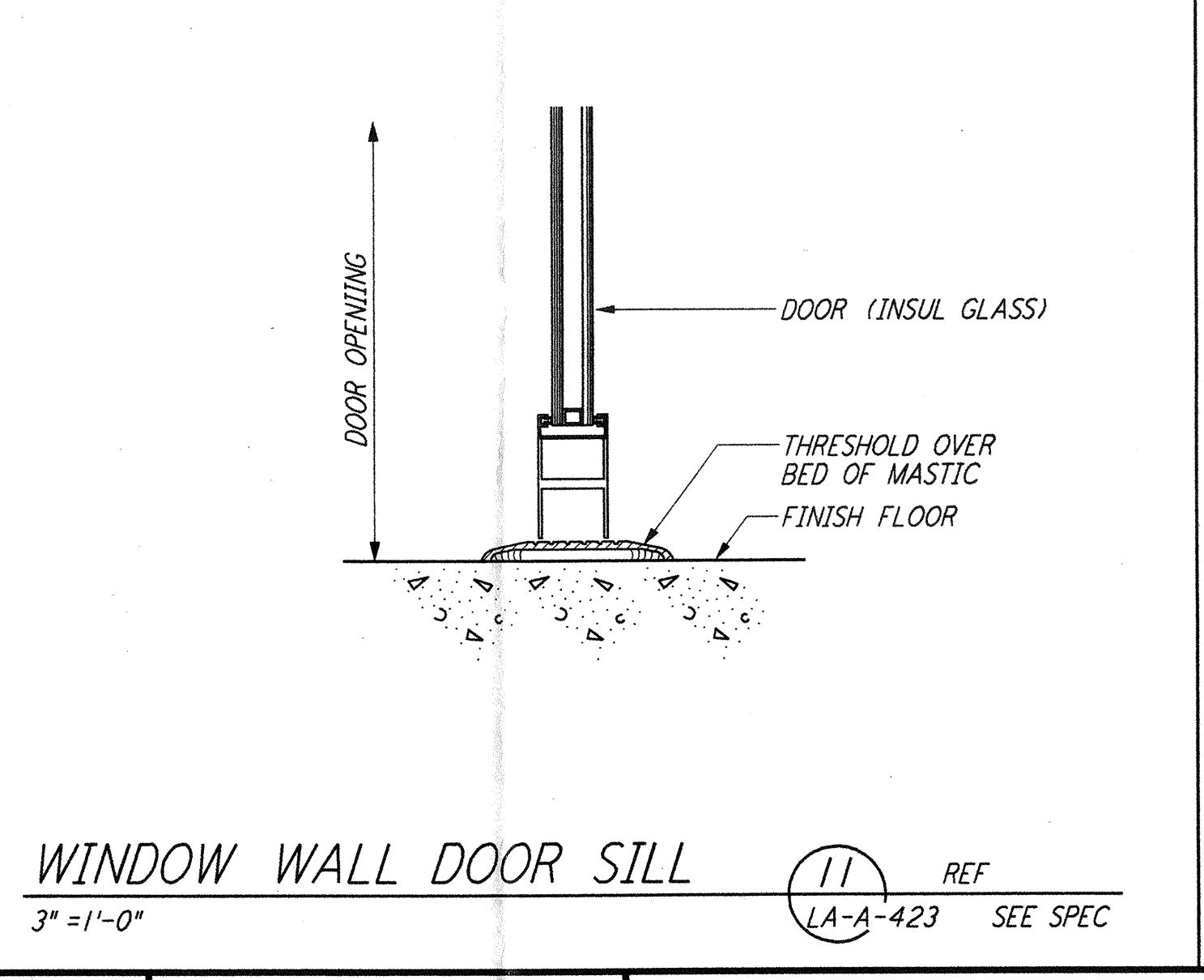
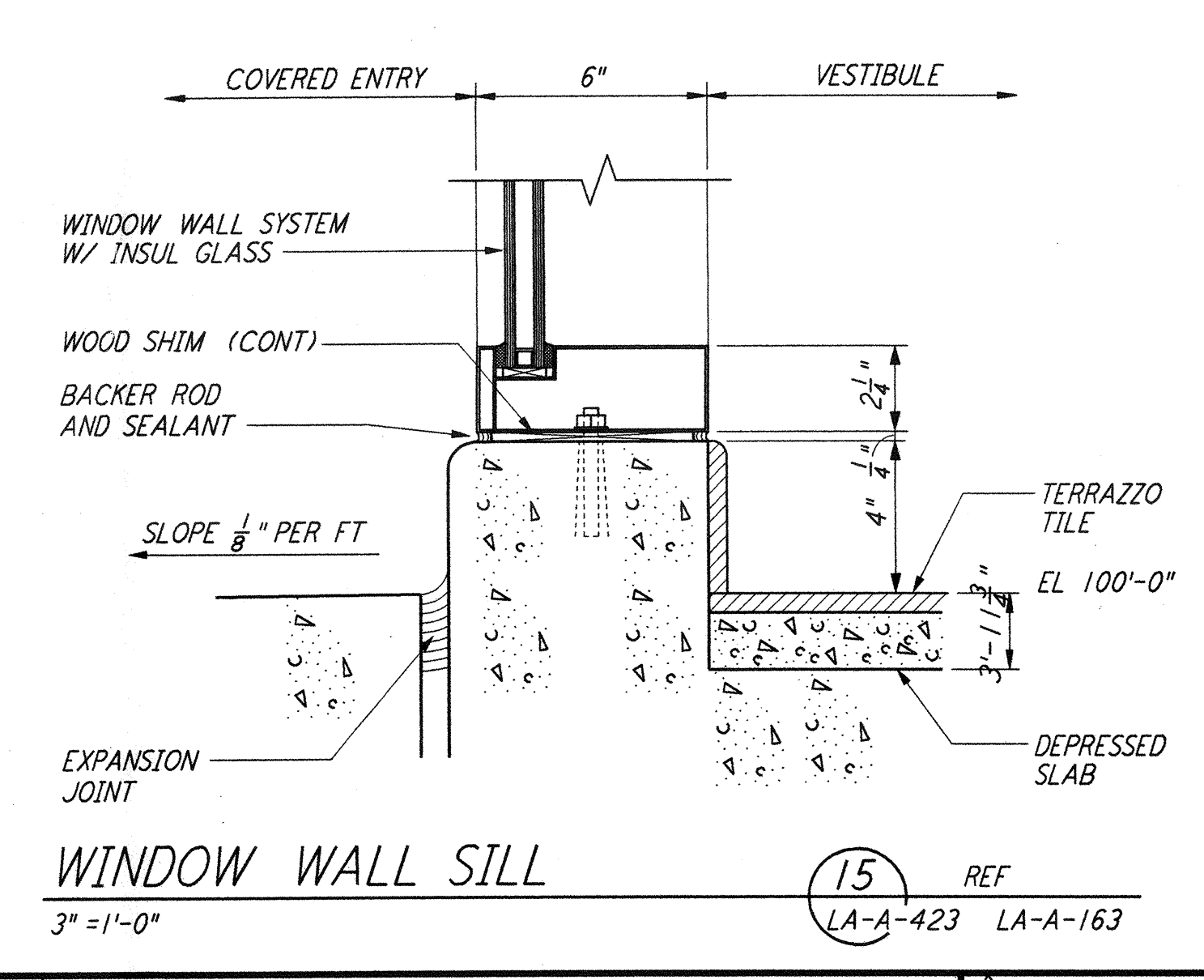
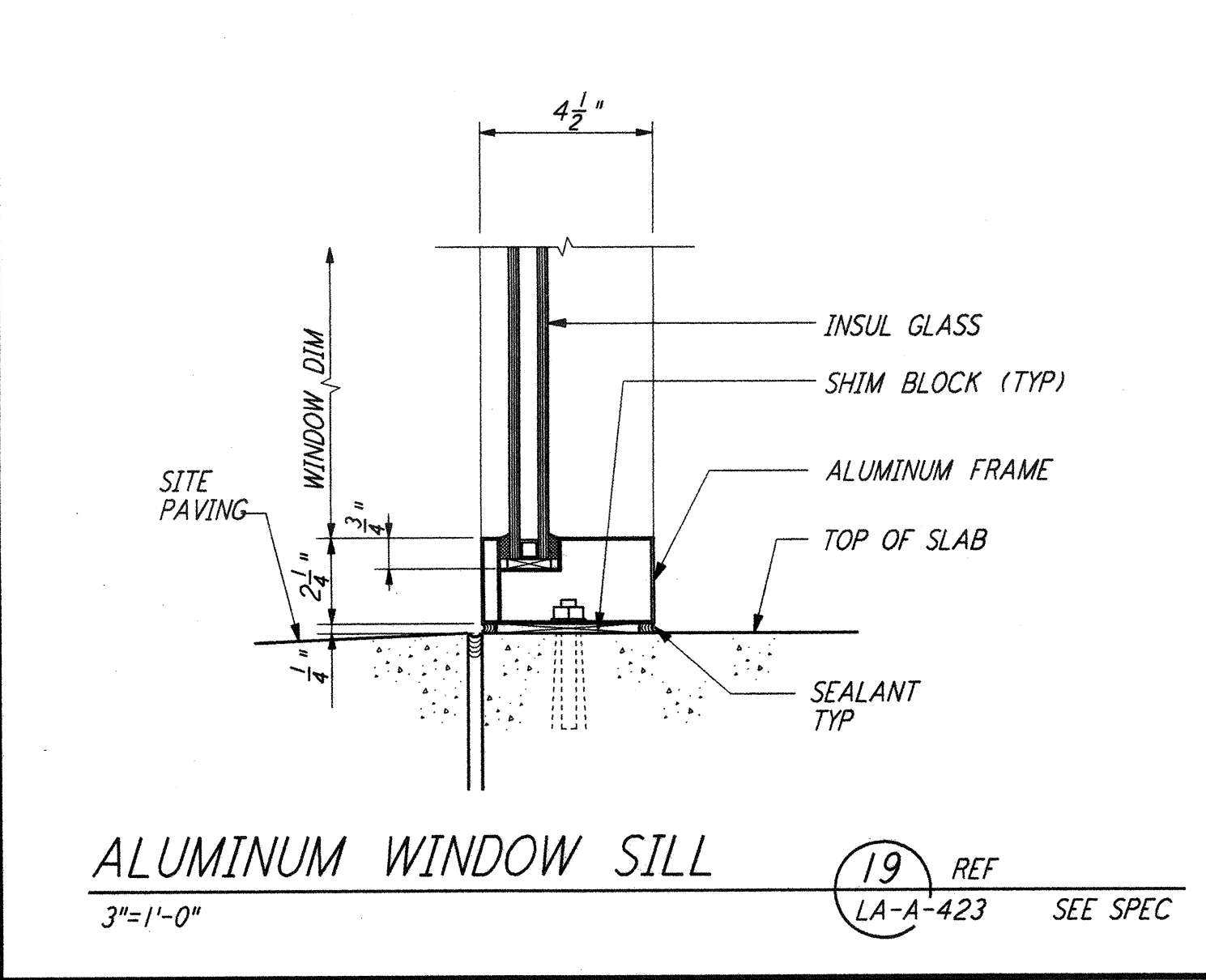
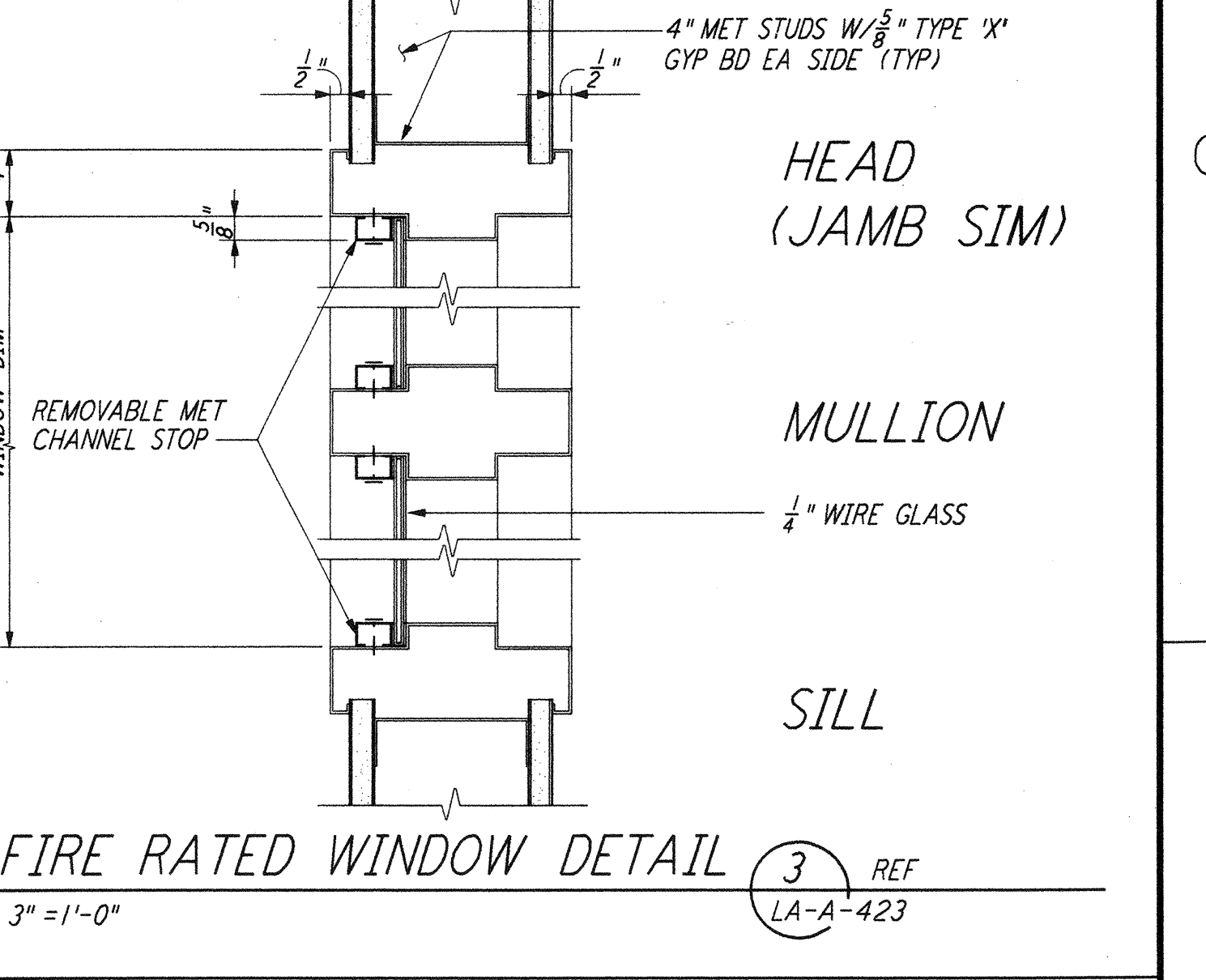
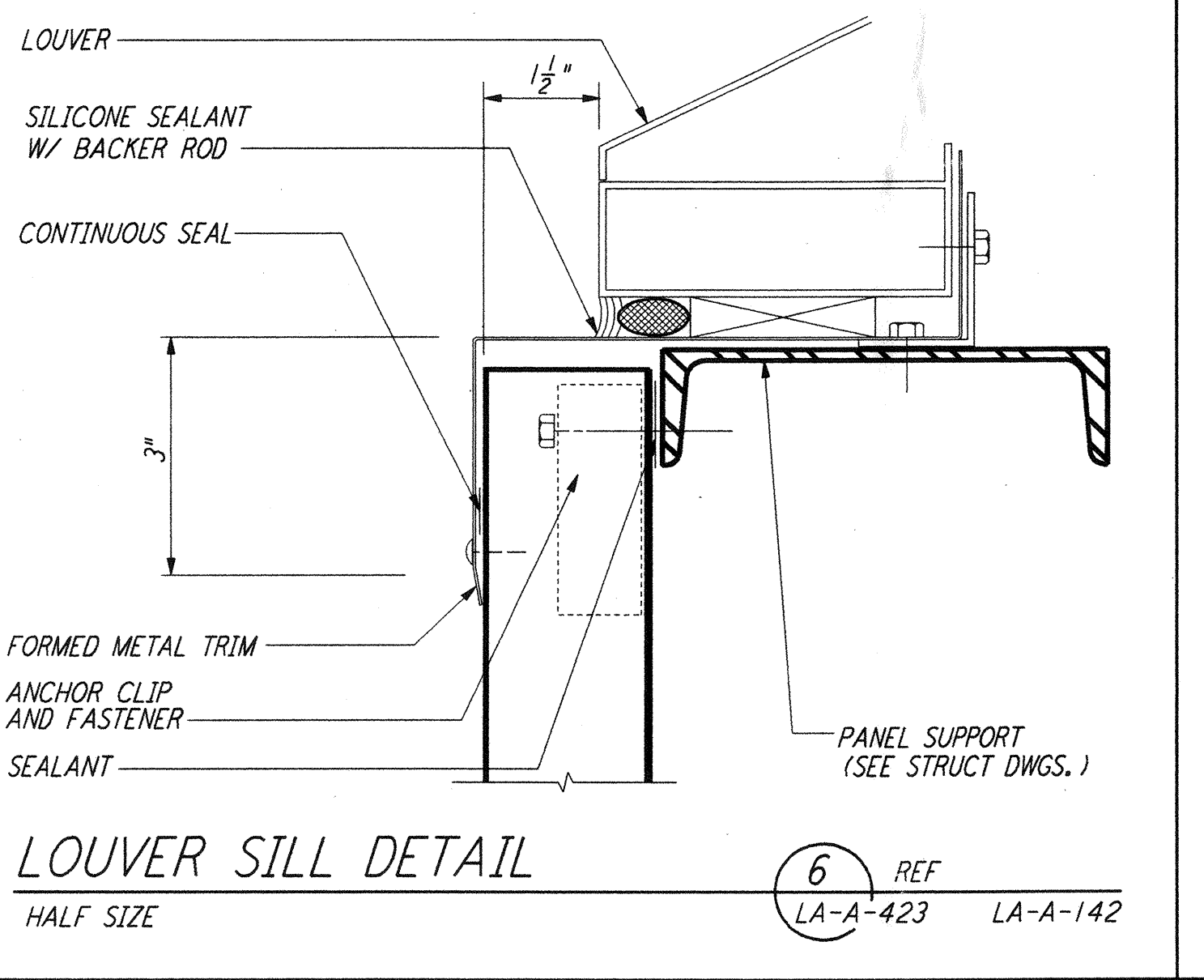
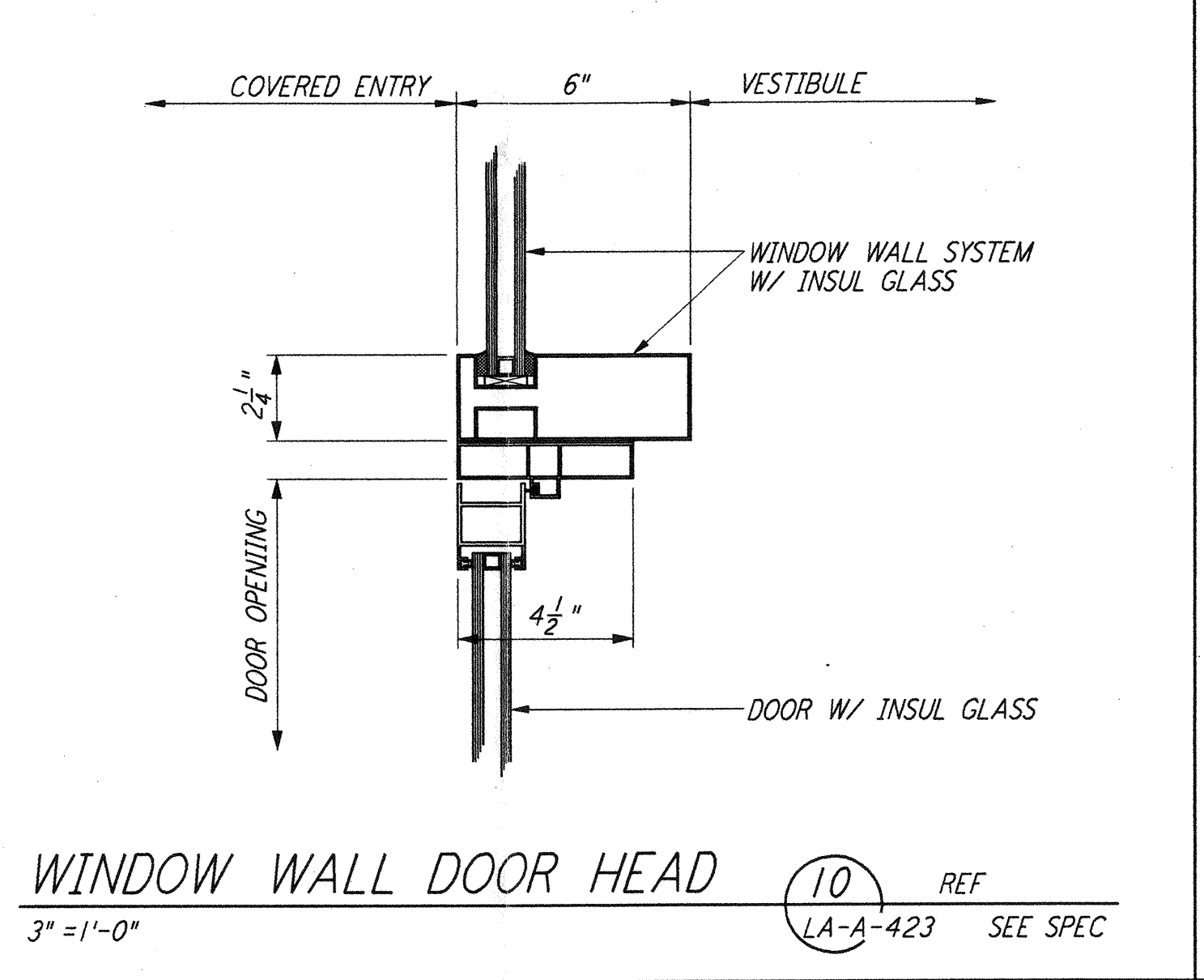
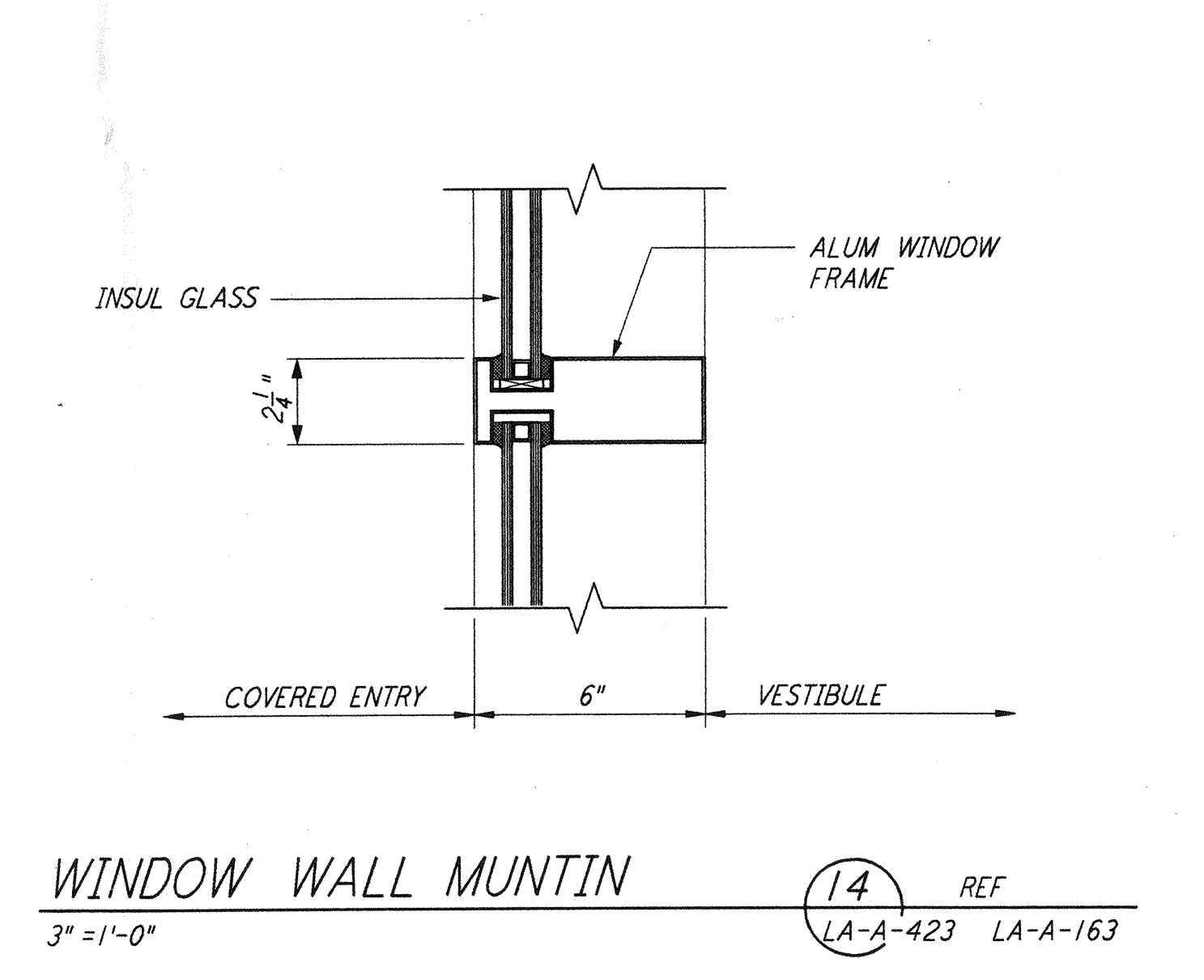
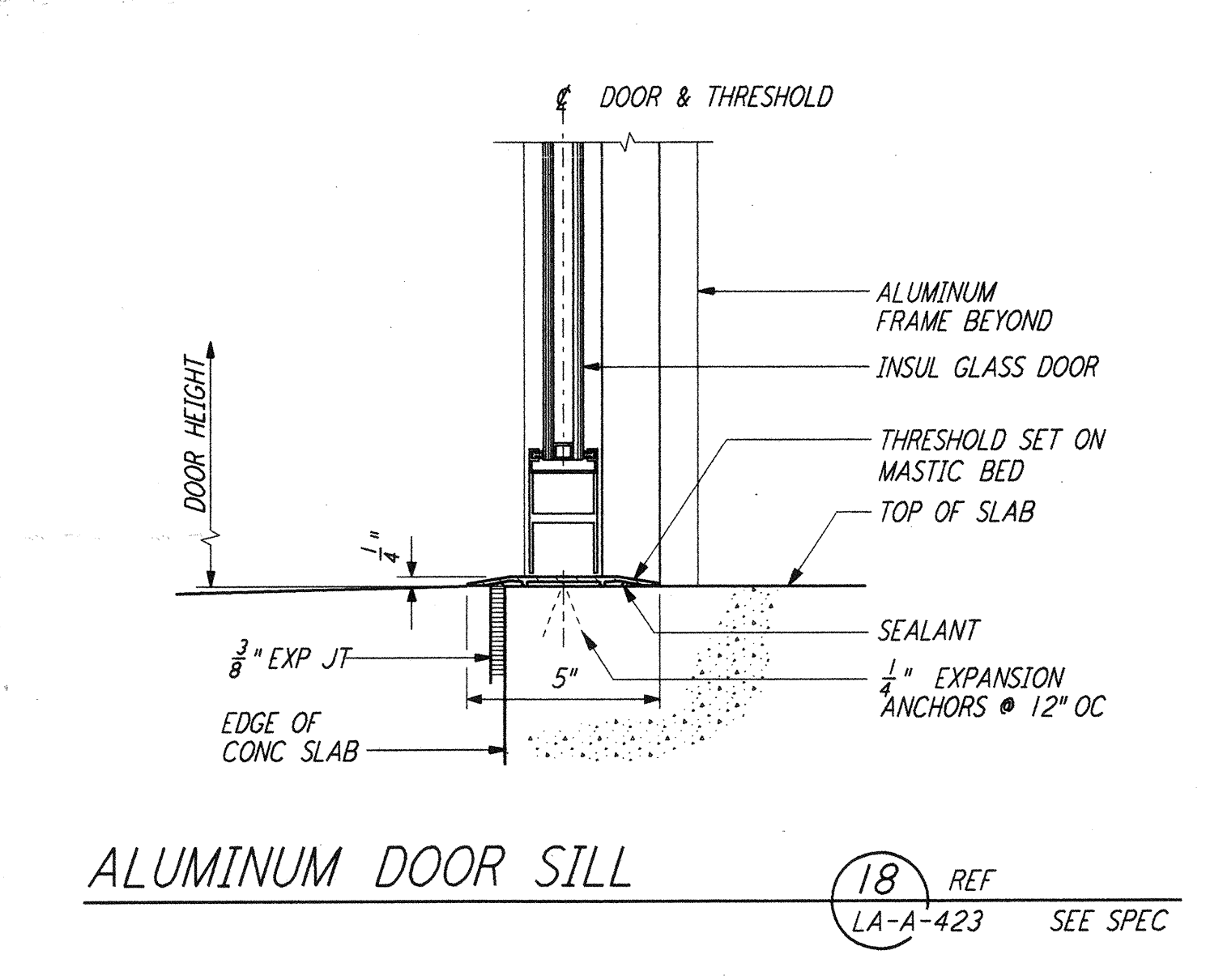
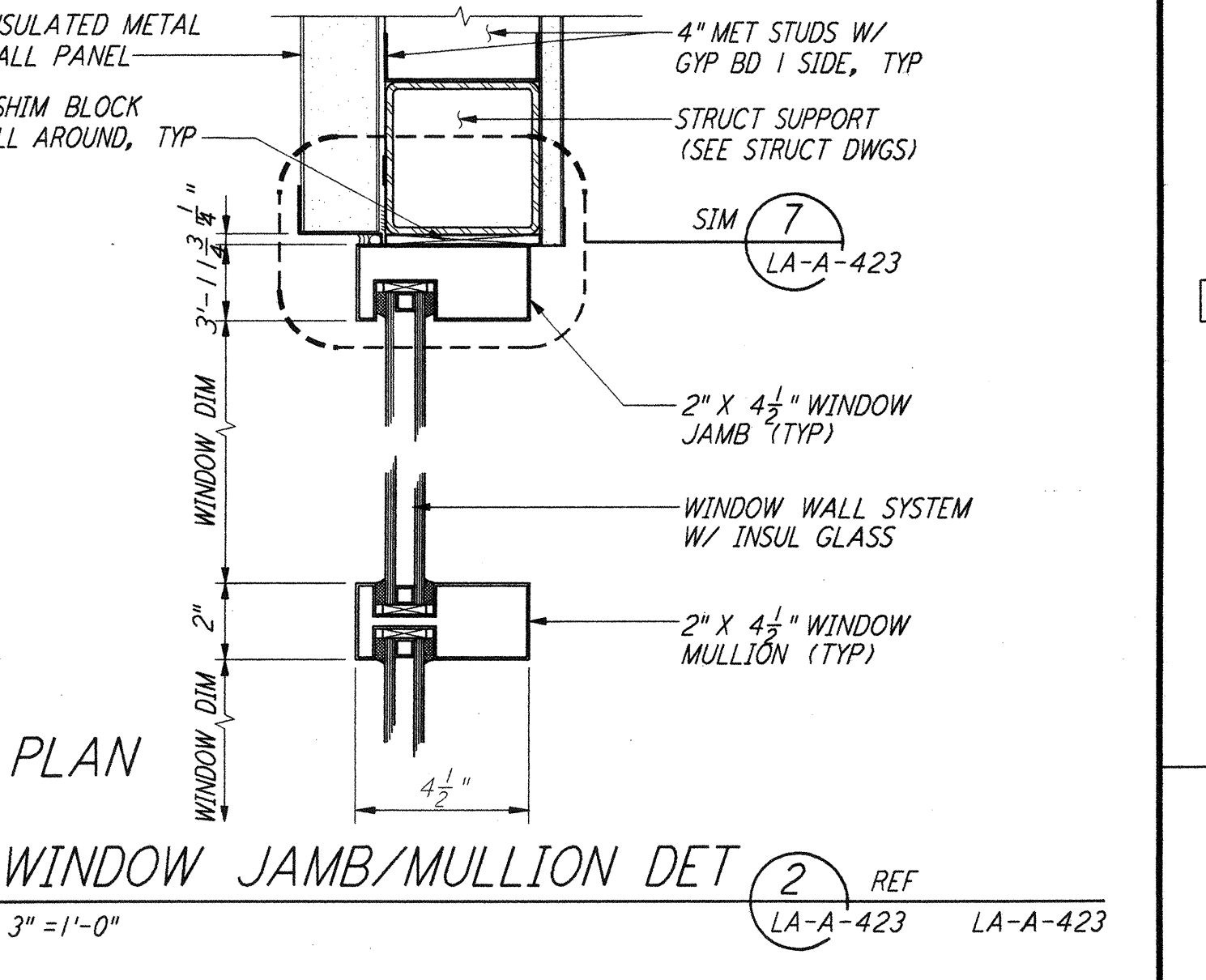
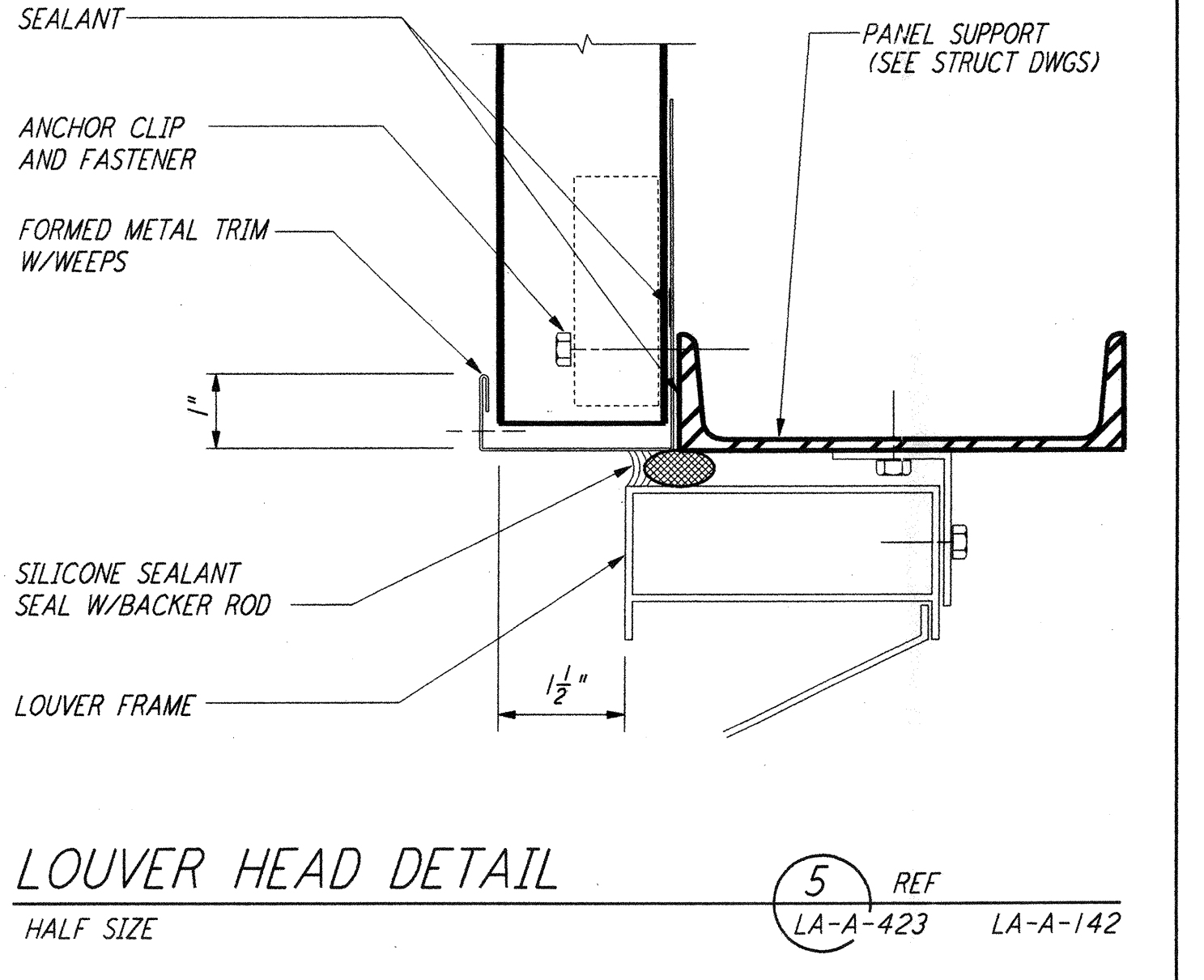
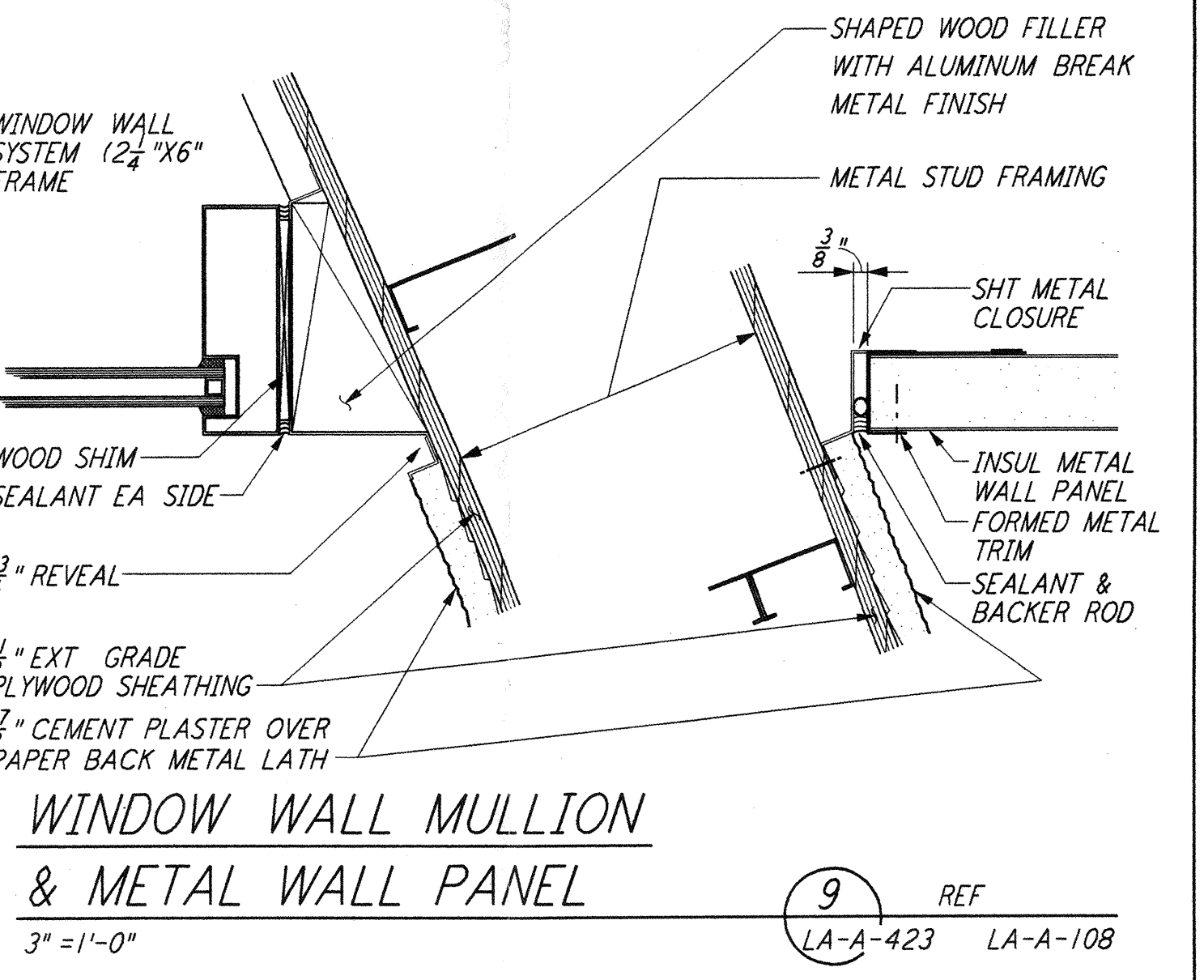
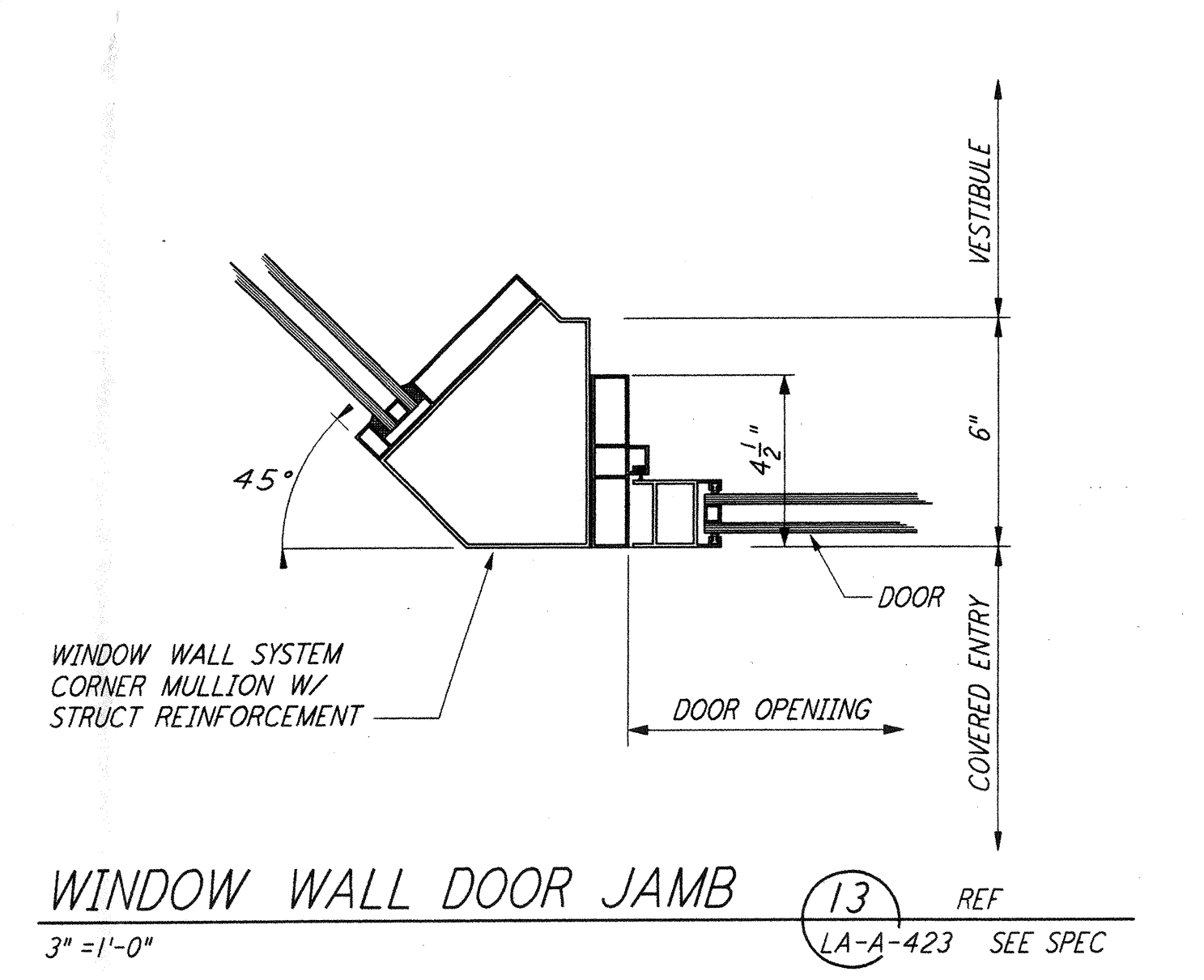
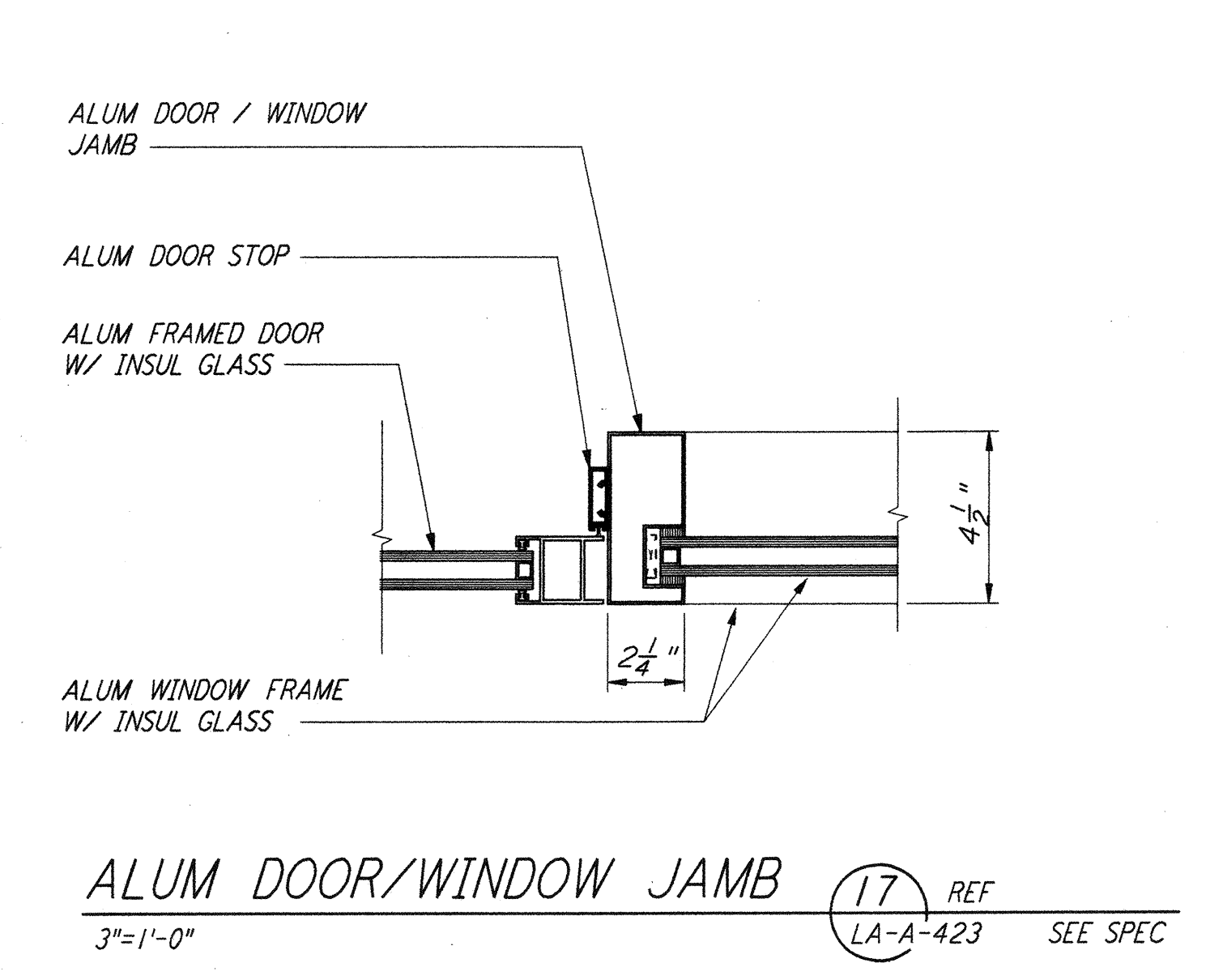
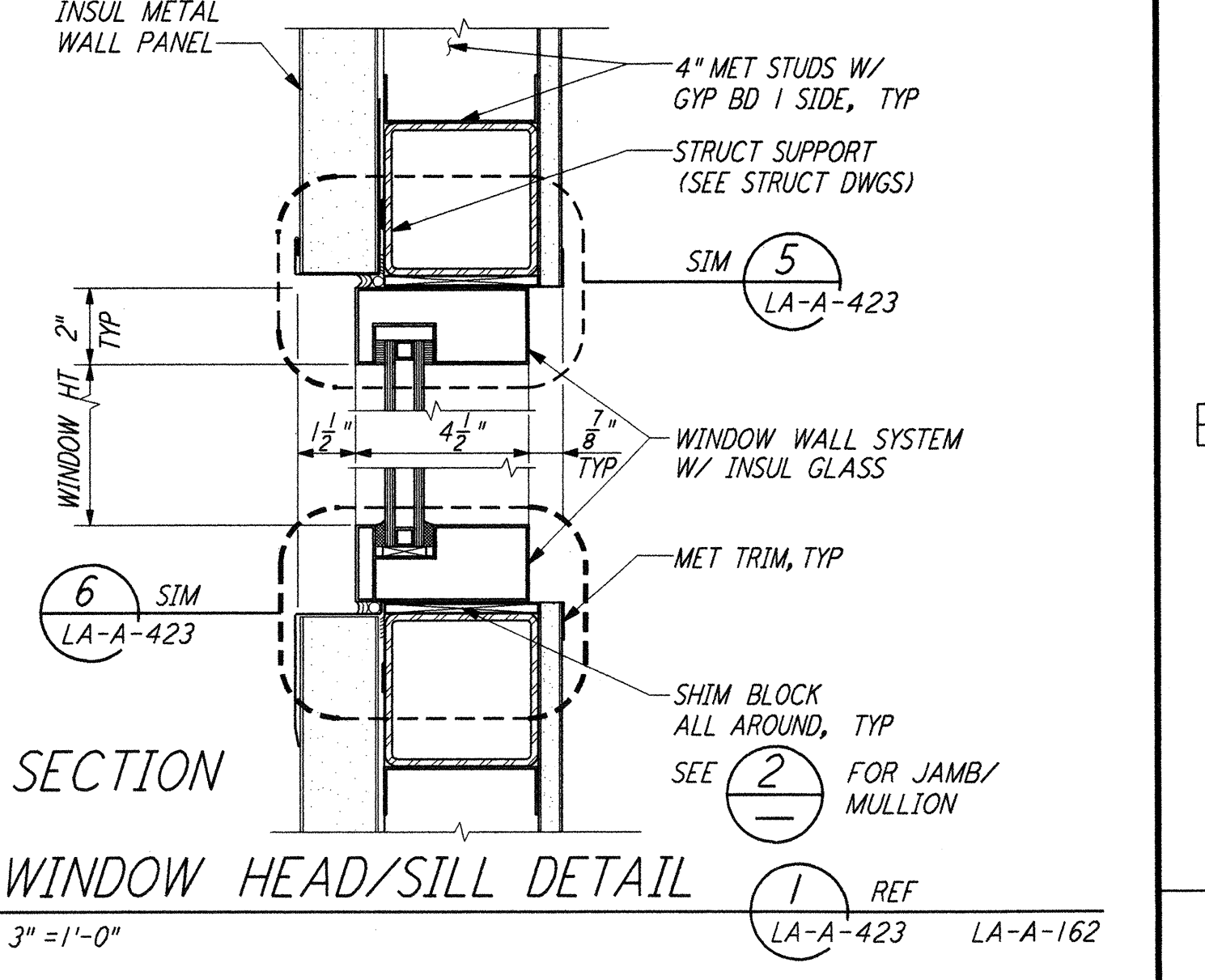
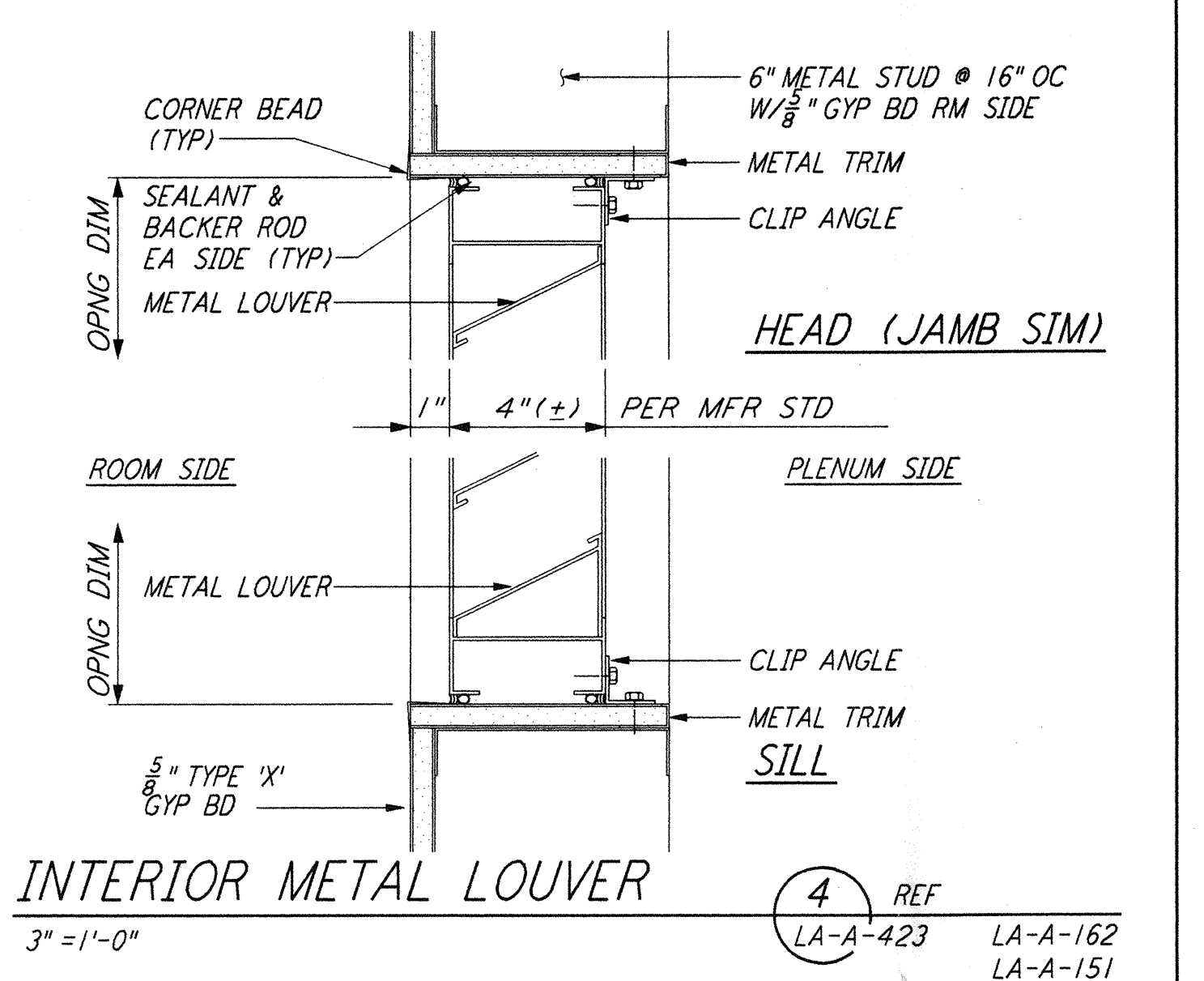
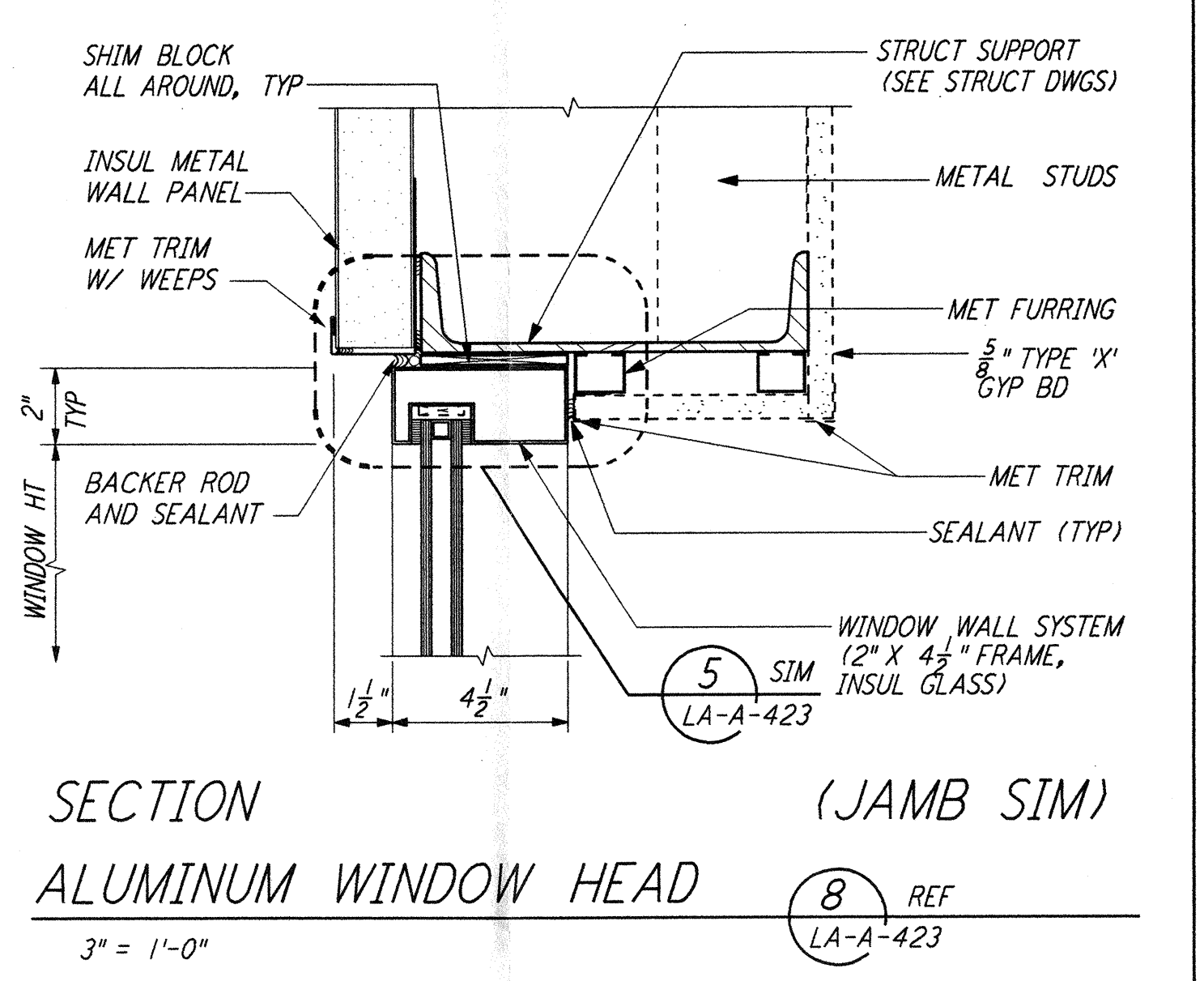
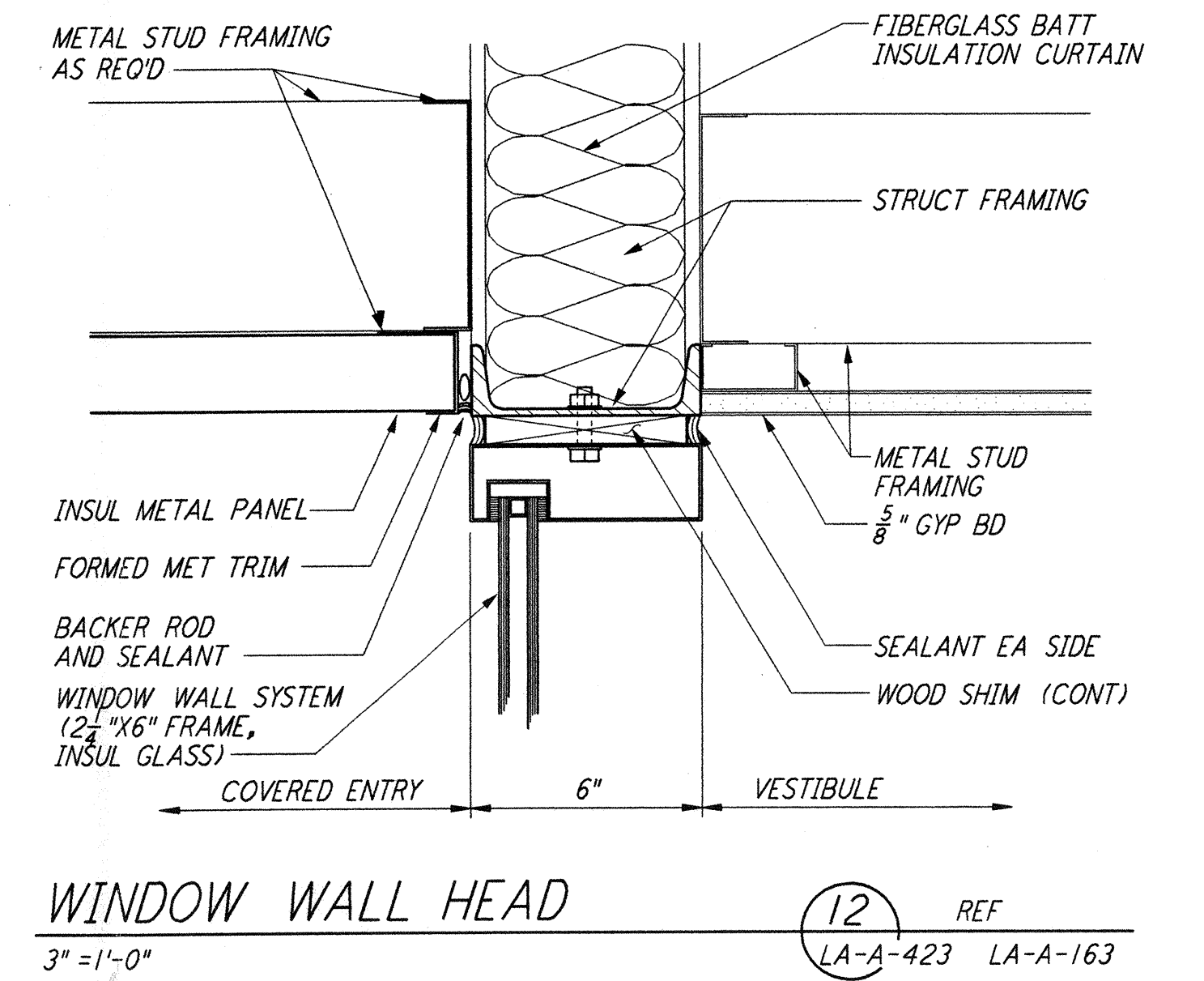
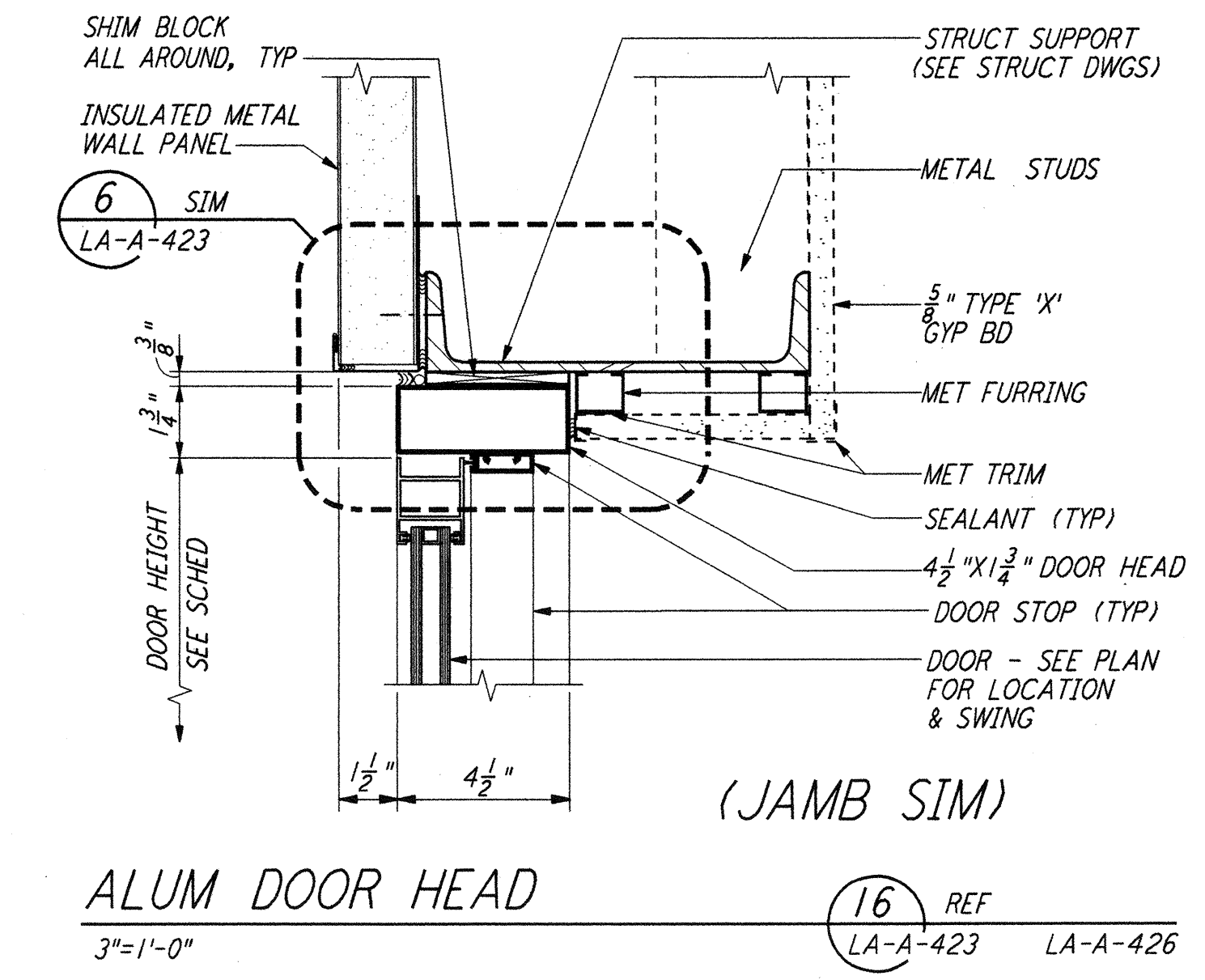


This document and the design it covers are the property of PARSONS. They are loaned only with the borrower's expressed written agreement that they will not be reproduced, copied, loaned, exhibited, or used in any other way, except by written consent from PARSONS to the borrower.



NO.	DATE	BY	CHKD	ENGR	PROJ	DESCRIPTION
1	08-07-98	SJM	CCT	LAR	WJD	ISSUED FOR AS-BUILT

ISSUED FOR CONSTRUCTION
 DRAWN BK/RR 11-15-96
 CHECKED TB 11-15-96
 ENGINEER SF 11-15-96
 PROJ TDM 11-15-96

AS-BUILT DRAWINGS

3

PARSONS
 100 WEST WALNUT STREET
 PASADENA, CALIFORNIA

LIGO
 CALIFORNIA INSTITUTE OF TECHNOLOGY
 MASSACHUSETTS INSTITUTE OF TECHNOLOGY

LASER INTERFEROMETER
 GRAVITATIONAL-WAVE OBSERVATORY
 SITE NO. 2 - LIVINGSTON, LOUISIANA

ARCHITECTURAL
 WINDOW & LOUVER
 DETAILS

AS NOTED PP150969 8094
LA-A-423