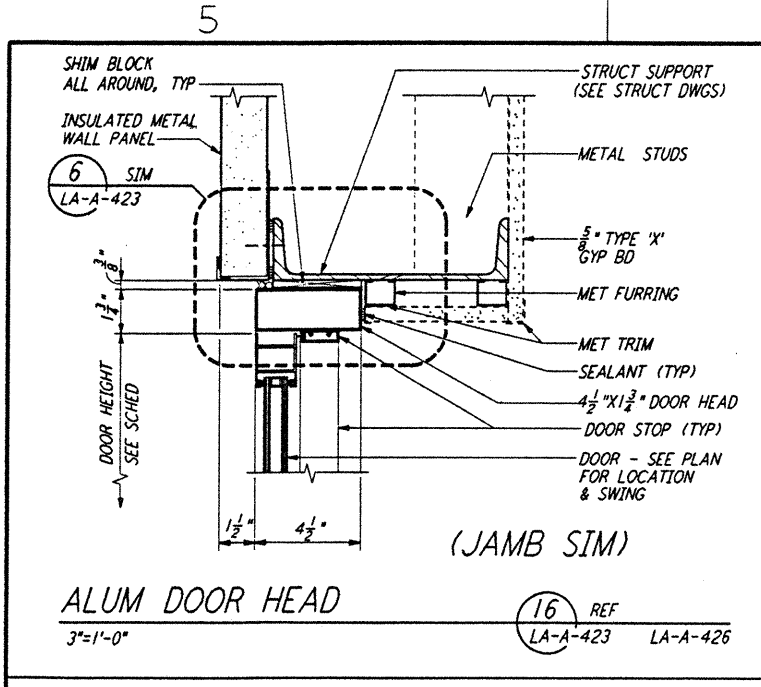
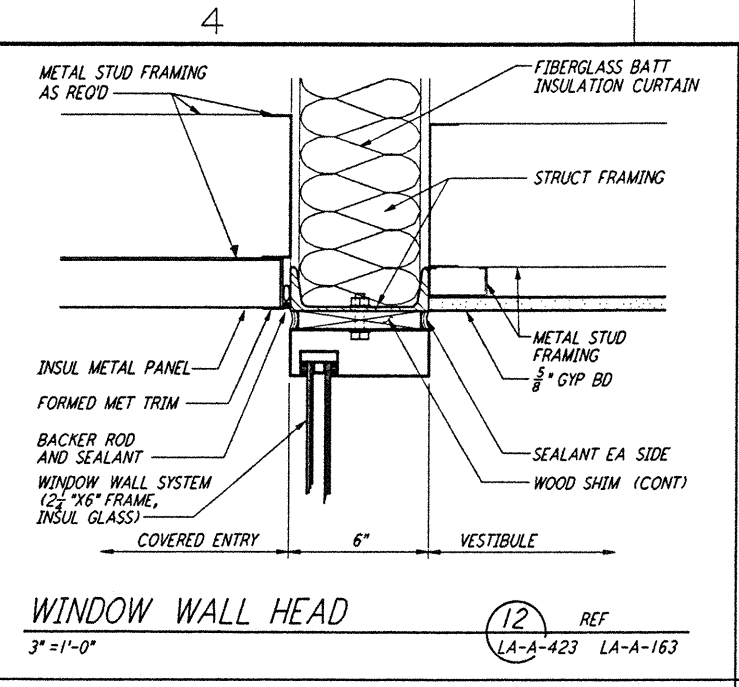


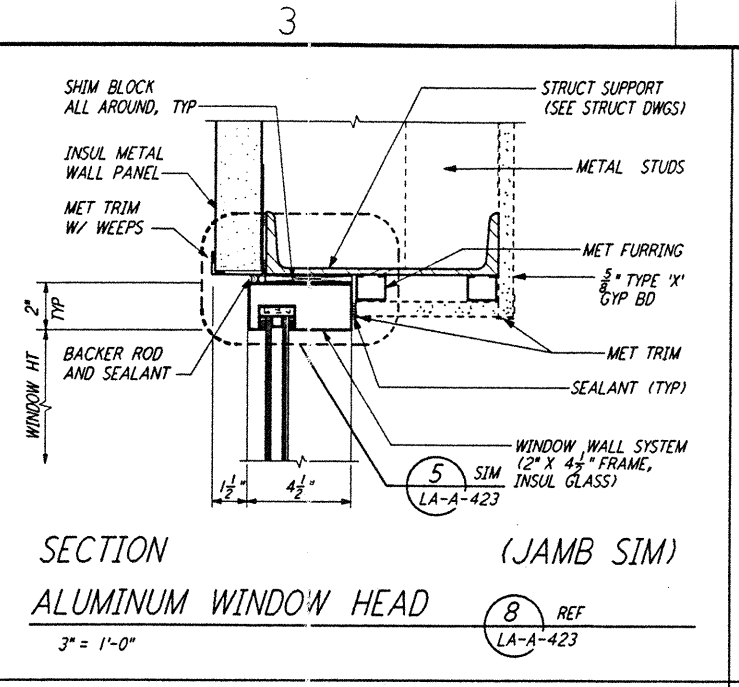
This document and the design it covers are the property of PARSONS. They are loaned only with the borrower's expressed written agreement that they will not be reproduced, copied, loaned, exhibited, or used in any other way, except by written consent from PARSONS to the borrower.



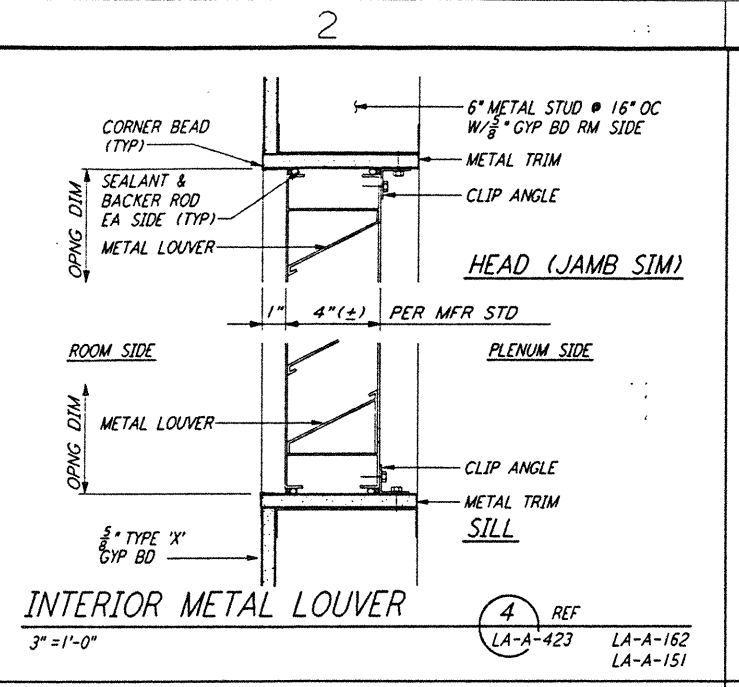
ALUM DOOR HEAD (16) REF  
 3\"/>



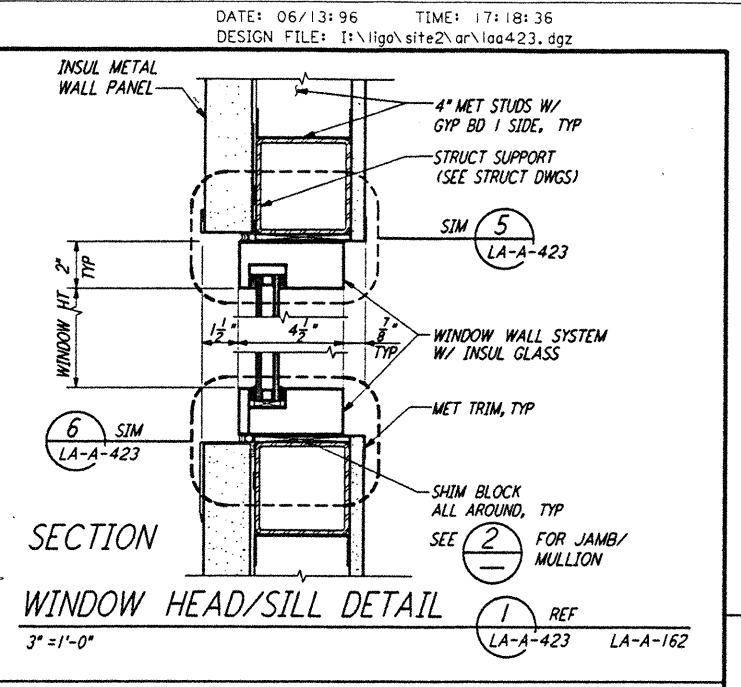
WINDOW WALL HEAD (12) REF  
 3\"/>



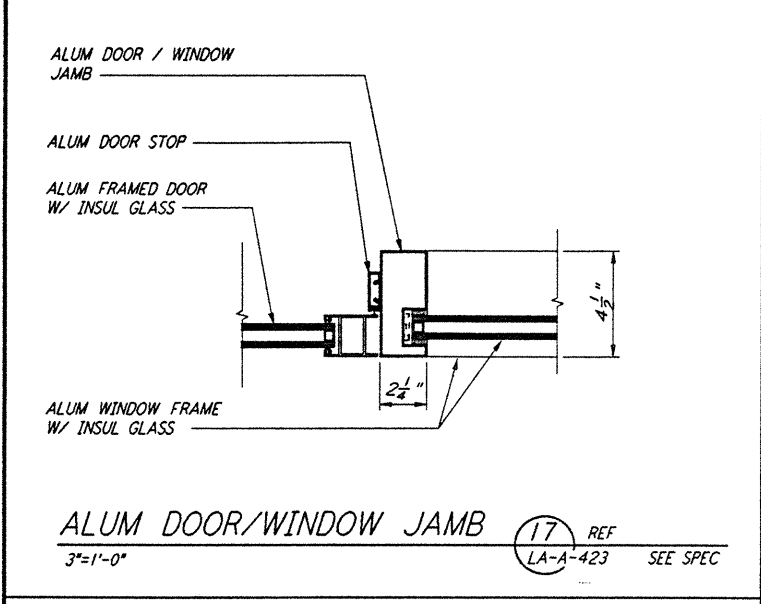
SECTION ALUMINUM WINDOW HEAD (8) REF  
 3\"/>



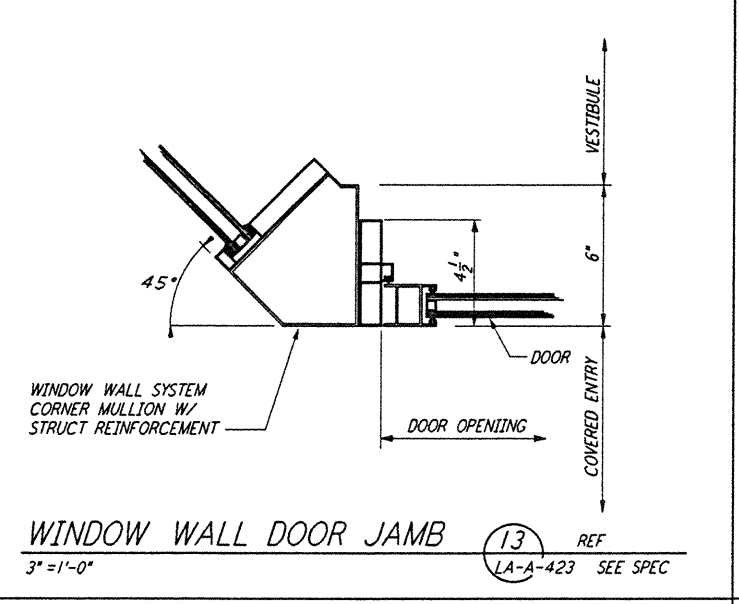
INTERIOR METAL LOUVER (4) REF  
 3\"/>



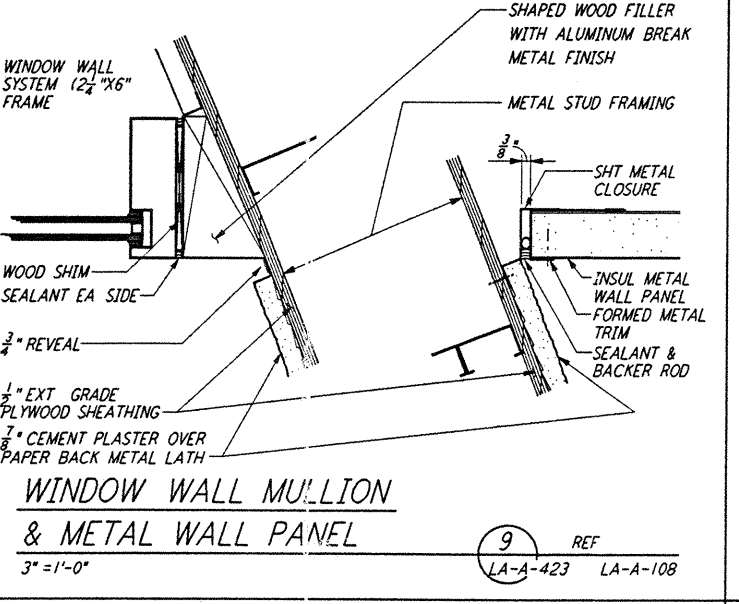
SECTION WINDOW HEAD/SILL DETAIL (1) REF  
 3\"/>



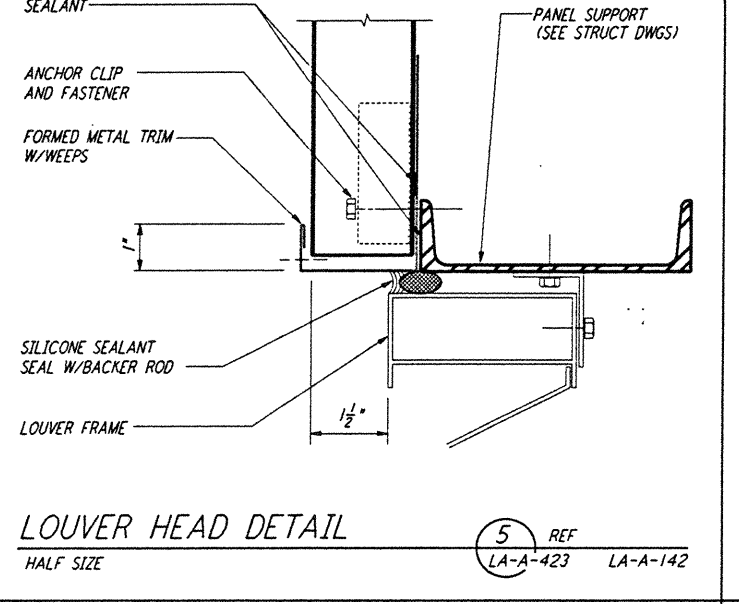
ALUM DOOR/WINDOW JAMB (17) REF  
 3\"/>



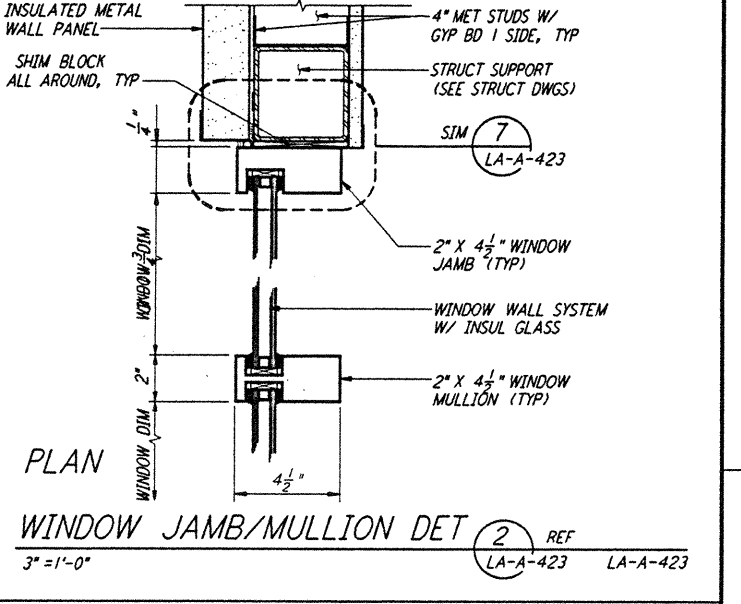
WINDOW WALL DOOR JAMB (13) REF  
 3\"/>



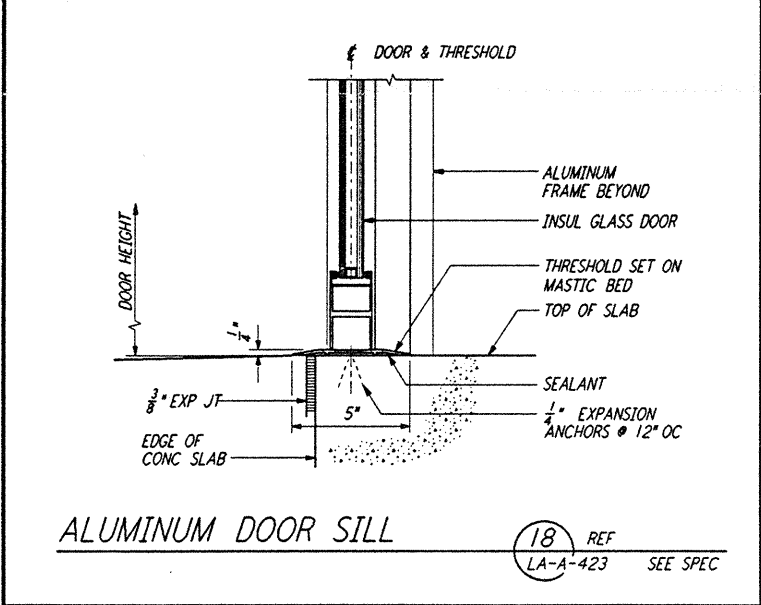
WINDOW WALL MULLION & METAL WALL PANEL (9) REF  
 3\"/>



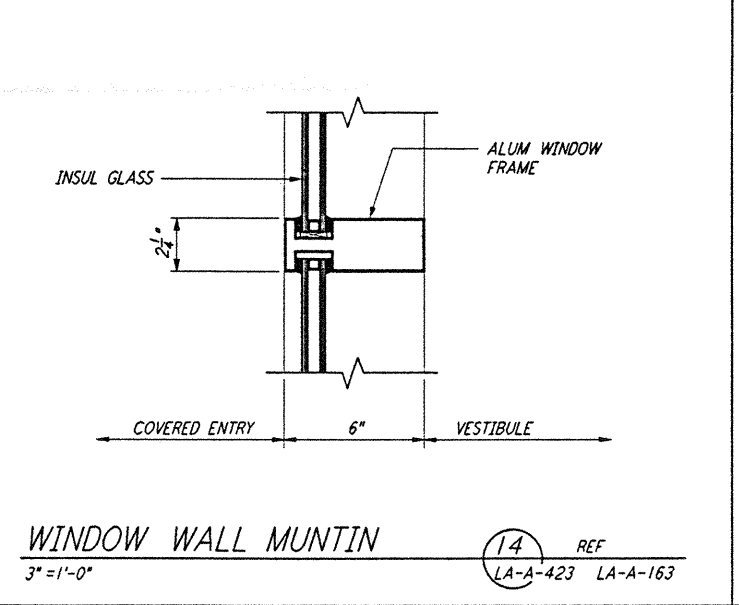
LOUVER HEAD DETAIL (5) REF  
 HALF SIZE LA-A-423 LA-A-142



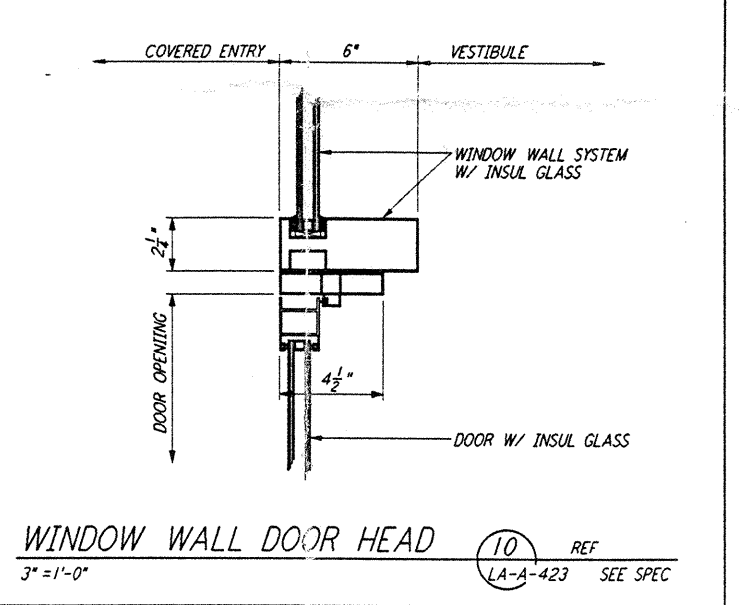
PLAN WINDOW JAMB/MULLION DET (2) REF  
 3\"/>



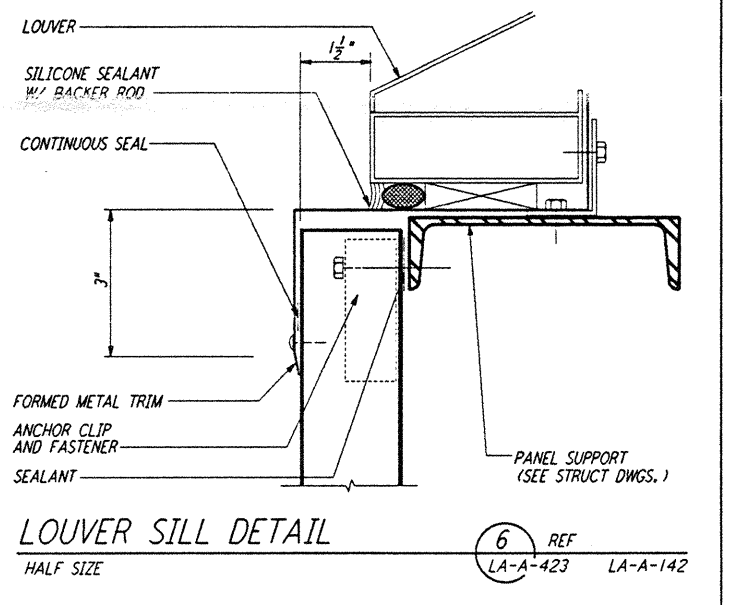
ALUMINUM DOOR SILL (18) REF  
 3\"/>



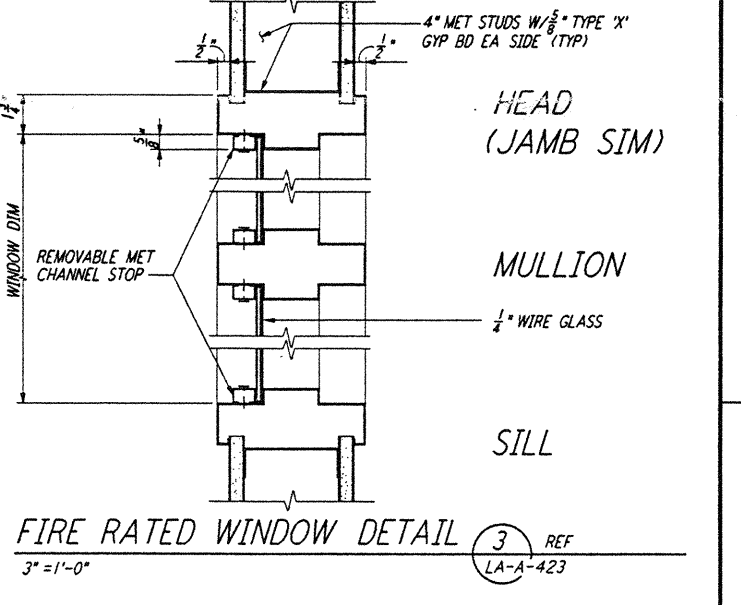
WINDOW WALL MUNTIN (14) REF  
 3\"/>



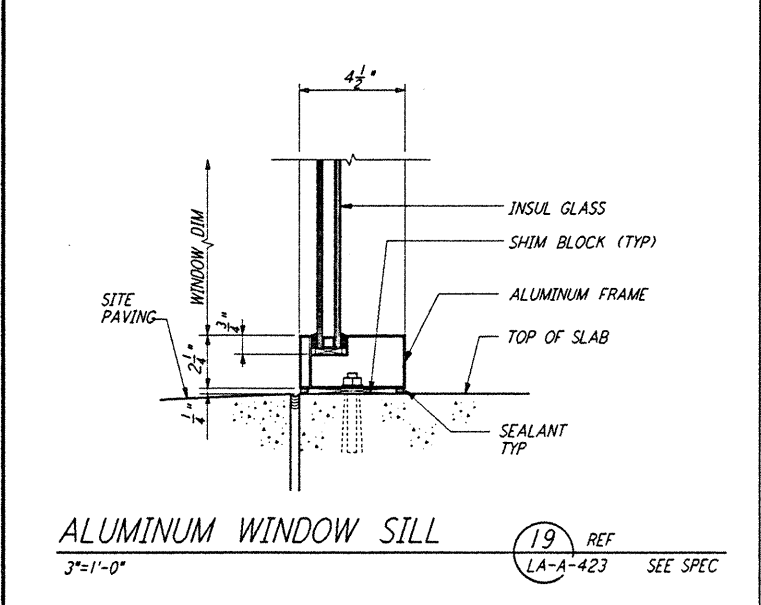
WINDOW WALL DOOR HEAD (10) REF  
 3\"/>



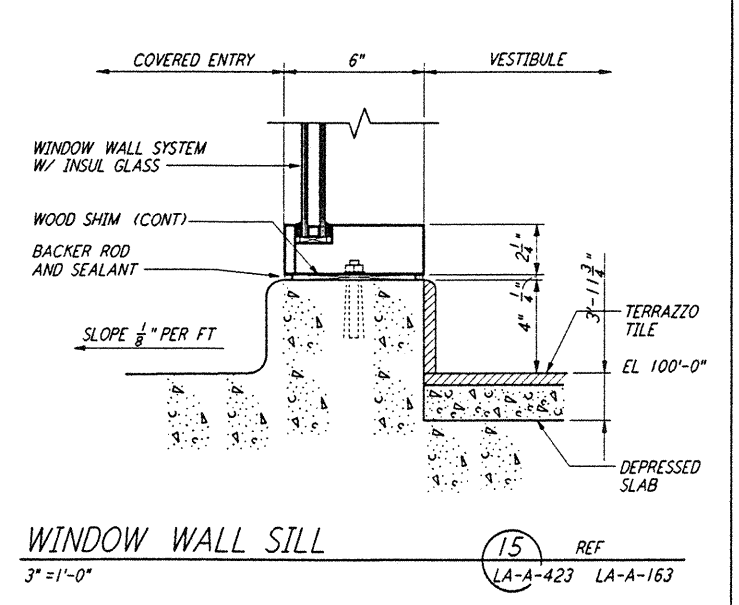
LOUVER SILL DETAIL (6) REF  
 HALF SIZE LA-A-423 LA-A-142



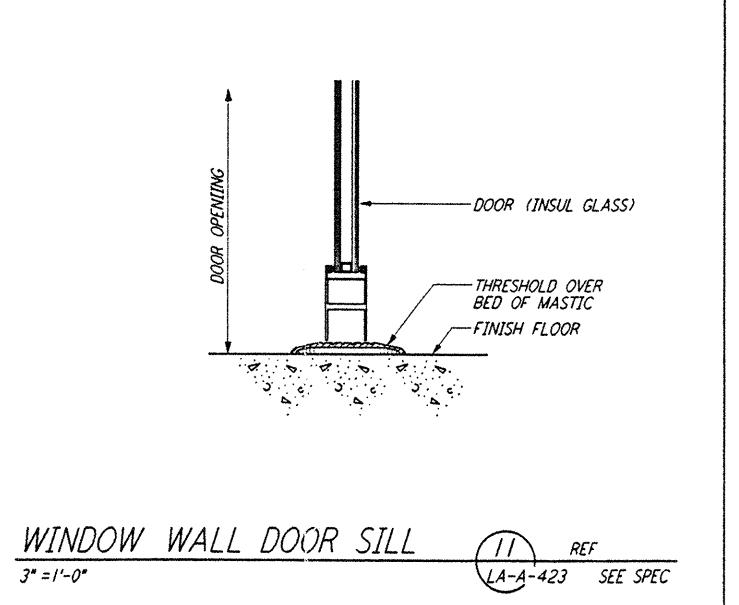
FIRE RATED WINDOW DETAIL (3) REF  
 3\"/>



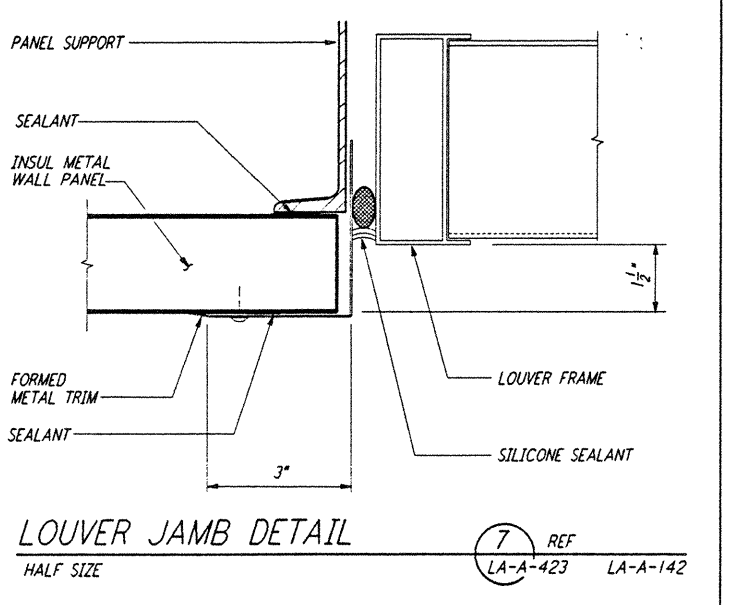
ALUMINUM WINDOW SILL (19) REF  
 3\"/>



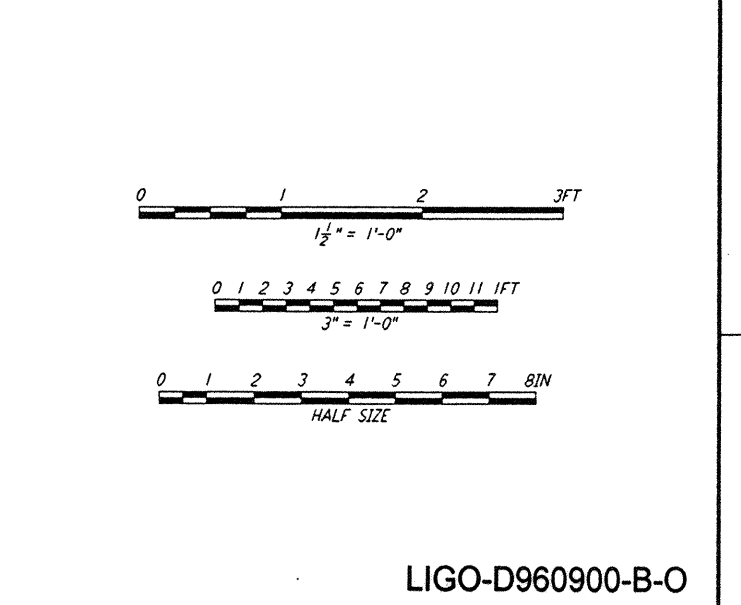
WINDOW WALL SILL (15) REF  
 3\"/>



WINDOW WALL DOOR SILL (11) REF  
 3\"/>



LOUVER JAMB DETAIL (7) REF  
 HALF SIZE LA-A-423 LA-A-142



LIGO-D960900-B-O

NO.	DATE	BY	CHKD	ENGR	PROJ	DESCRIPTION
B	6-14-96	CKT	BK	SF	TOM	FINAL DESIGN REVIEW
A	10/31/95	SF	SF	TOM		PRELIMINARY DESIGN REVIEW

DRAWN	BK/RR
CHECKED	
ENGINEER	
PROJ	

100 WEST WALNUT STREET  
 PASADENA, CALIFORNIA

CALIFORNIA INSTITUTE OF TECHNOLOGY  
 MASSACHUSETTS INSTITUTE OF TECHNOLOGY

LASER INTERFEROMETER  
 GRAVITATIONAL-WAVE OBSERVATORY  
 SITE NO.2 - LIVINGSTON, LOUISIANA

TITLE	SCALE	CONTRACT NUMBER	PROJECT NUMBER
ARCHITECTURAL WINDOW & LOUVER DETAILS	AS NOTED	PP150969	8094
	SHEET NUMBER		REVISION
	LA-A-423		