

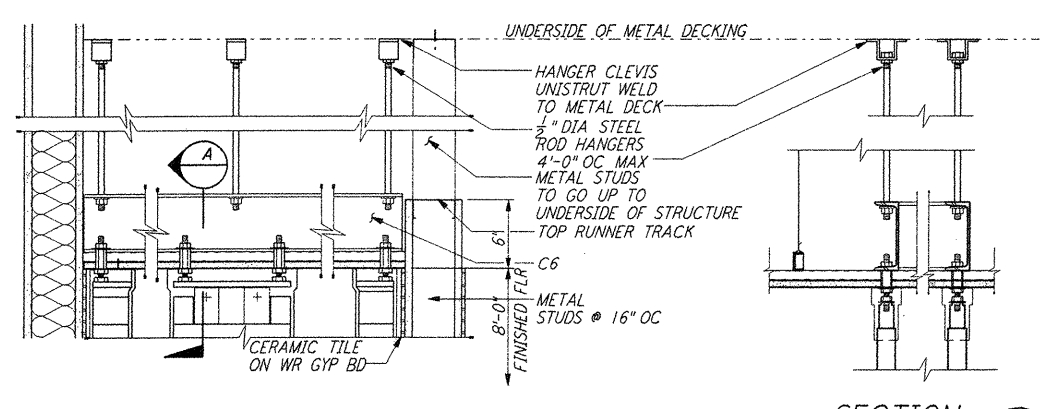
5

4

3

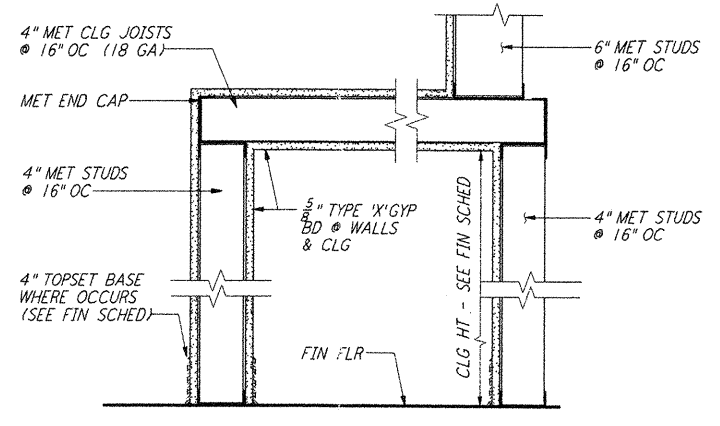
2

E



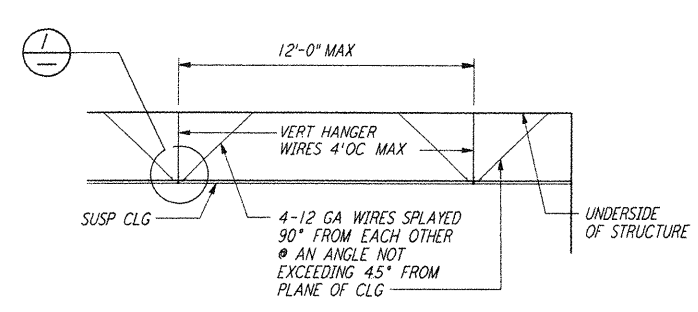
TOILET PARTITION MOUNTING
 1 1/2\"/>

SECTION A
 12 REF
 LA-A-424 LA-A-111



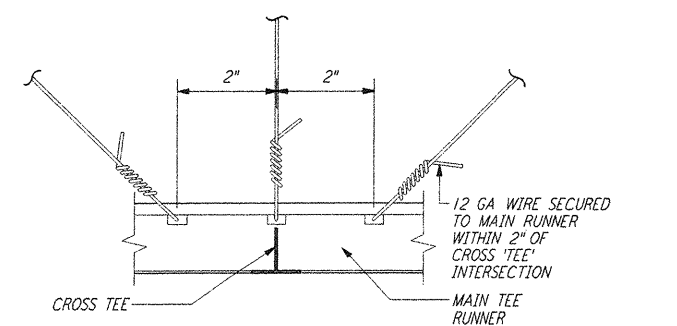
LVEA VESTIBULE
 1 1/2\"/>

8 REF
 LA-A-424 LA-A-261
 LA-A-102



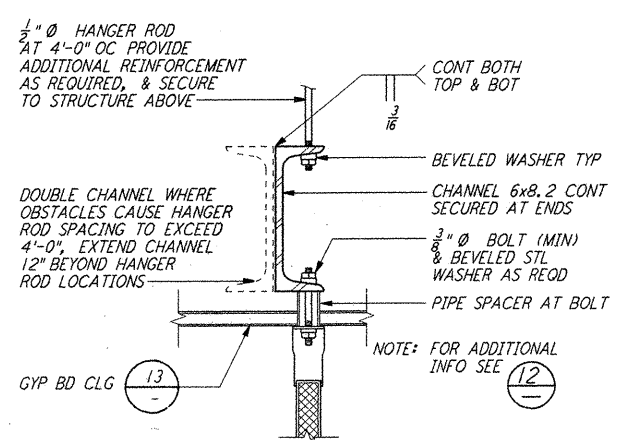
SUSP ACOUSTICAL CLG DET
 3\"/>

1 REF
 LA-A-424



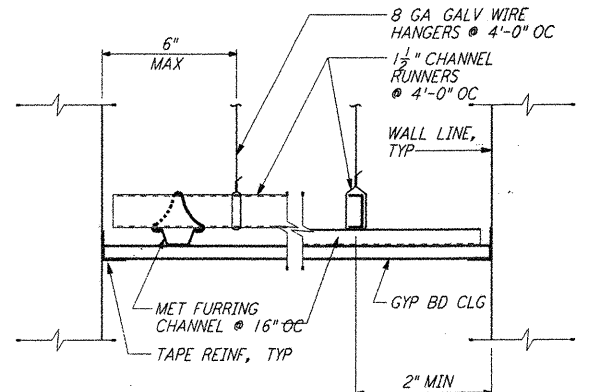
SUSP ACOUSTICAL CLG DET
 3\"/>

1 REF
 LA-A-424



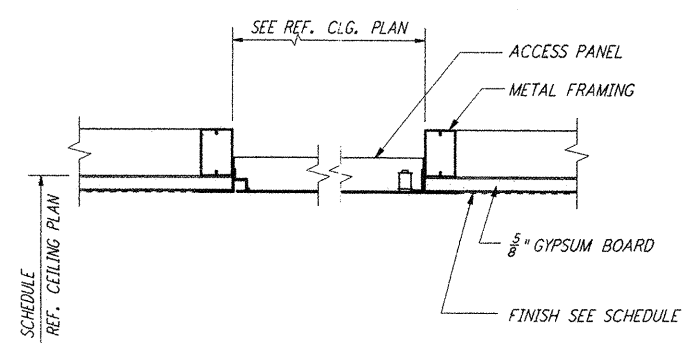
TOILET PARTITION MOUNTING
 3\"/>

16 REF
 LA-A-424



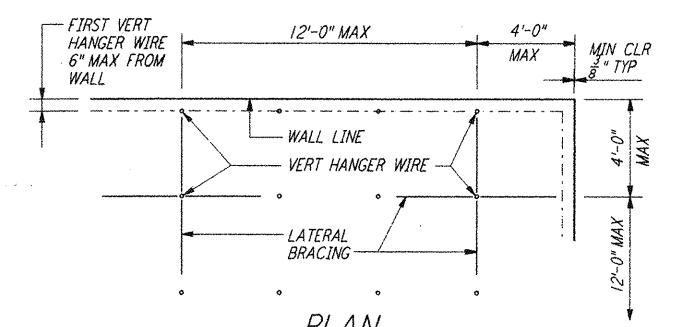
GYPSUM BOARD CEILING
 3\"/>

13 REF
 LA-A-424 LA-A-121
 LA-A-122



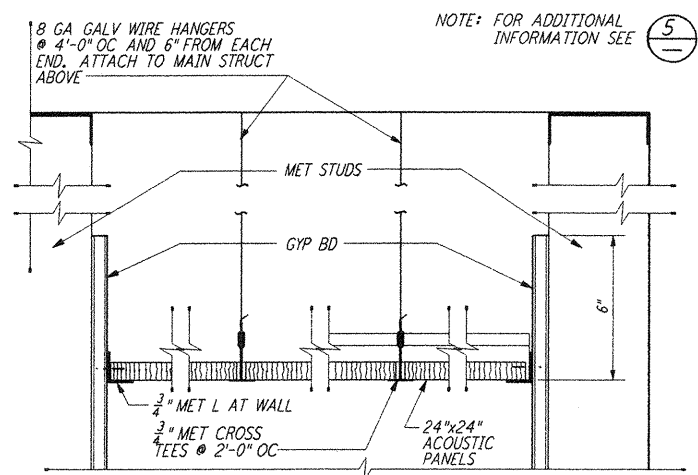
CEILING ACCESS PANEL DET
 3\"/>

9 REF
 LA-A-424



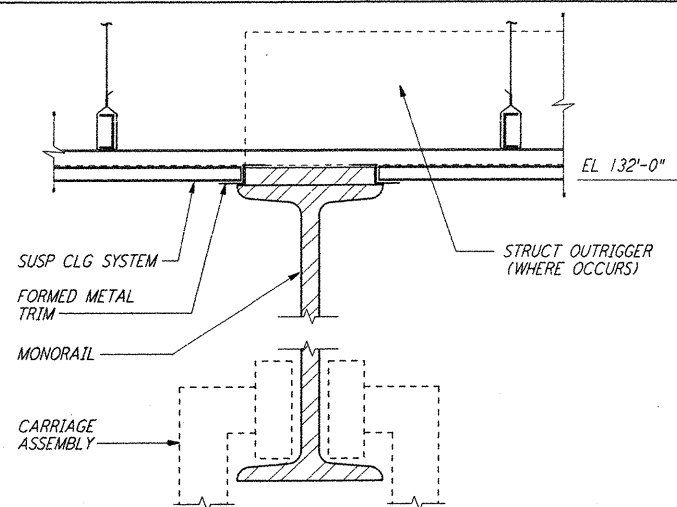
SUSP ACOUSTICAL CLG DET
 SCALE AS NOTED

5 REF
 LA-A-424 LA-A-424



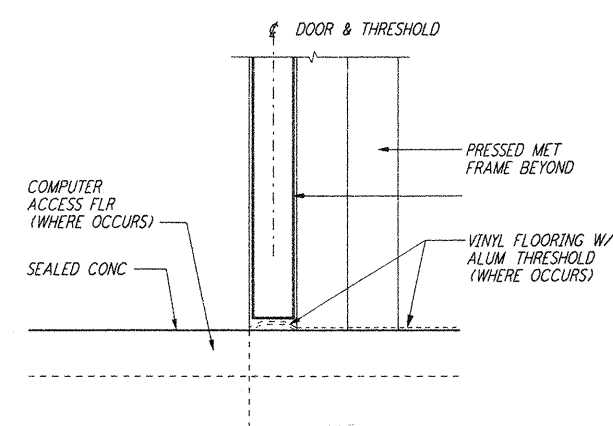
SUSP ACOUSTICAL CLG DET
 3\"/>

2 REF
 LA-A-424 LA-A-121
 LA-A-122
 LA-A-123



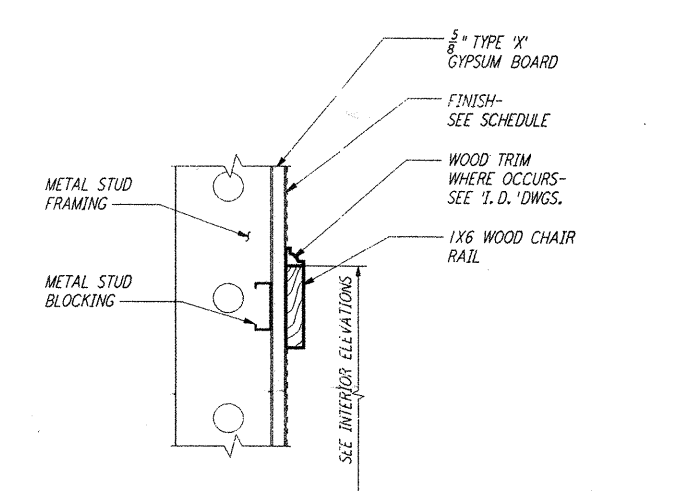
SUSP CLG AT MONORAIL
 3\"/>

17 REF
 LA-A-424 LA-A-121
 LA-A-151



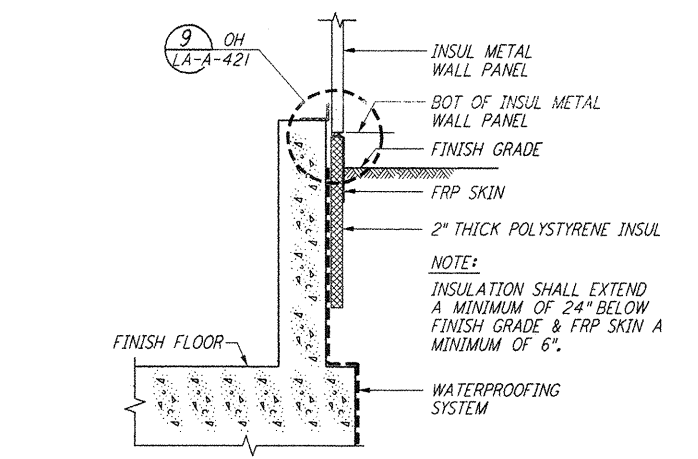
INT THRESHOLD DETAIL
 3\"/>

14 REF
 LA-A-424



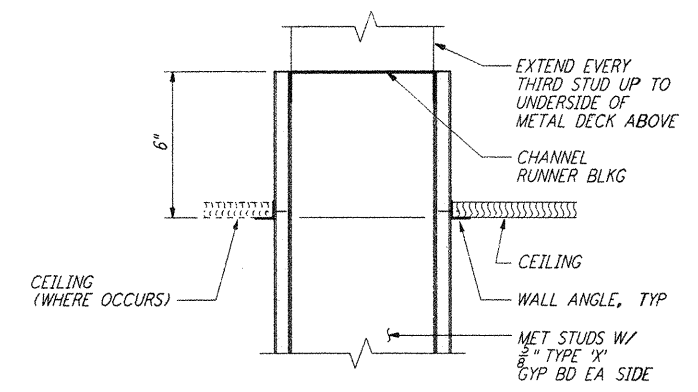
CHAIR RAIL
 3\"/>

10 REF
 LA-A-424 LA-A-111



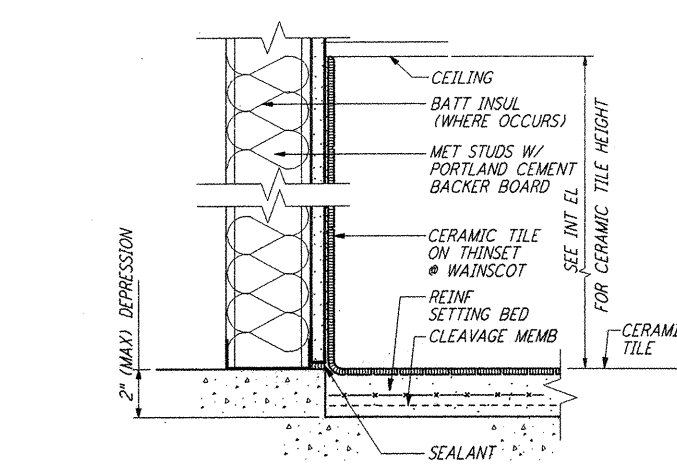
PERIMETER INSUL FOR FDN
 3\"/>

6 REF
 LA-A-424



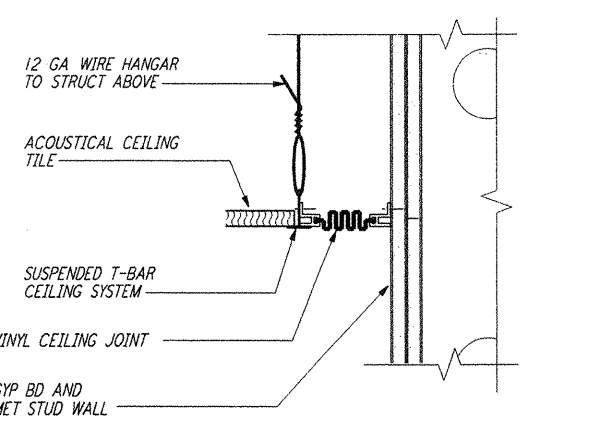
SUSP CLG @ PARTITION DET
 3\"/>

3 REF
 LA-A-424 LA-A-161
 LA-A-162



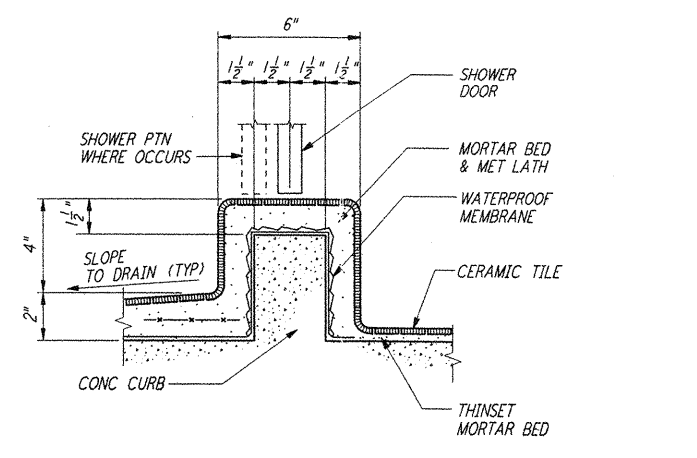
WAINSCOT DETAIL
 3\"/>

18 REF
 LA-A-424



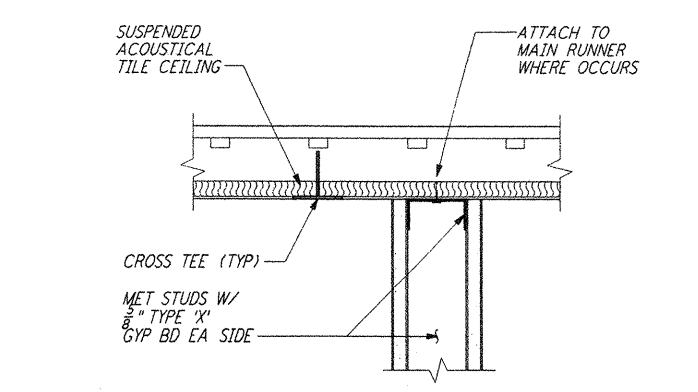
INT CEILING EXPANSION JT
 3\"/>

15 REF
 LA-A-424 LA-A-163



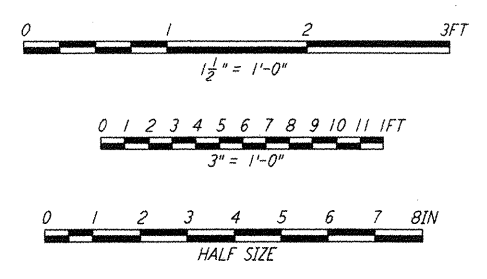
SHOWER CURB DETAIL
 3\"/>

11 REF
 LA-A-424 LA-A-111



STUD WALL TO CLG DETAIL
 3\"/>

7 REF
 LA-A-424 LA-A-152
 LA-A-153



NO.	DATE	BY	CHKD	ENGR	PROJ	DESCRIPTION
1	08-07-98	SJM	LET	LAM	WLD	ISSUED FOR AS-BUILT

NO.	DATE	BY	CHKD	ENGR	PROJ	DESCRIPTION
1	08-07-98	SJM	LET	LAM	WLD	ISSUED FOR AS-BUILT

NO.	DATE	BY	CHKD	ENGR	PROJ	DESCRIPTION
1	08-07-98	SJM	LET	LAM	WLD	ISSUED FOR AS-BUILT

NO.	DATE	BY	CHKD	ENGR	PROJ	DESCRIPTION
1	08-07-98	SJM	LET	LAM	WLD	ISSUED FOR AS-BUILT

ISSUED FOR CONSTRUCTION
 DRAWN SH/RR 11-15-96
 CHECKED TB 11-15-96
 ENGINEER SF 11-15-96
 PROJ TDM 11-15-96

AS-BUILT DRAWINGS

PARSONS
 100 WEST WALNUT STREET
 PASADENA, CALIFORNIA

LIGO
 CALIFORNIA INSTITUTE OF TECHNOLOGY
 MASSACHUSETTS INSTITUTE OF TECHNOLOGY

LIGO-D960901-01-0
 LASER INTERFEROMETER
 GRAVITATIONAL-WAVE OBSERVATORY
 SITE NO. 2 - LIVINGSTON, LOUISIANA

ARCHITECTURAL
 CEILING & MISCELLANEOUS
 INTERIOR DETAILS

SCALE AS NOTED
 CONTRACT NUMBER PPI50969
 PROJECT NUMBER 8094

SHEET NUMBER
LA-A-424

This document and the design it covers are the property of PARSONS. They are loaned only with the borrower's expressed written agreement that they will not be reproduced, copied, loaned, exhibited, or used in any other way, except by written consent from PARSONS to the borrower.

7/1 Aug 14 2008:31 198: C:\PLOT\JOB\53\19862.DWG 52085 K:\V3802\m424.dwg

5

4

3

2

A