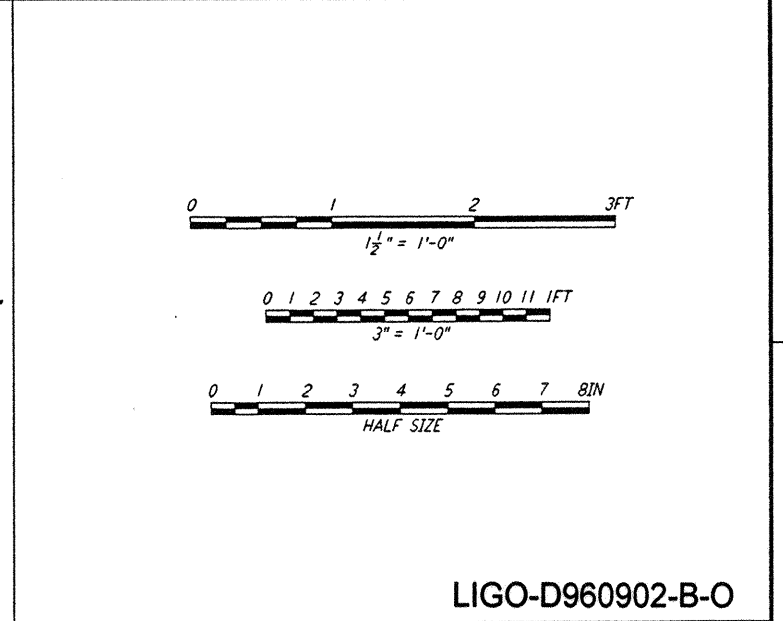
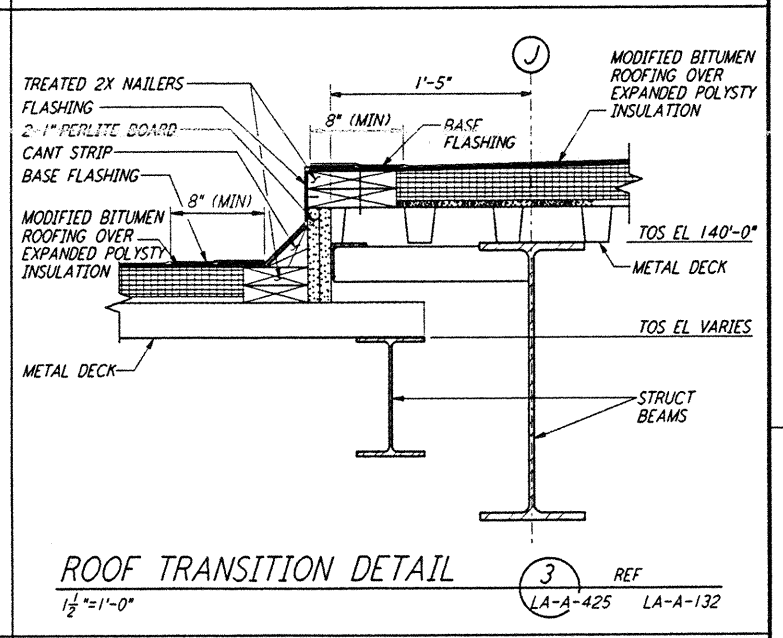
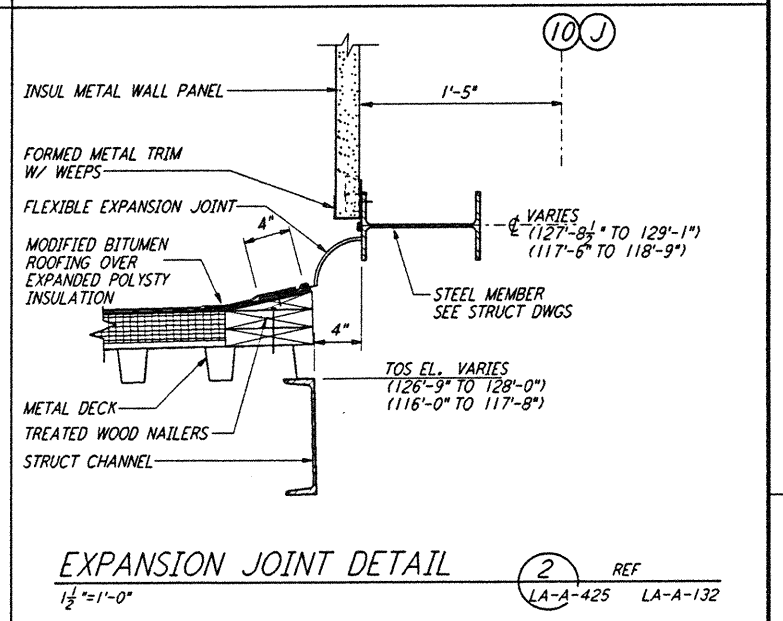
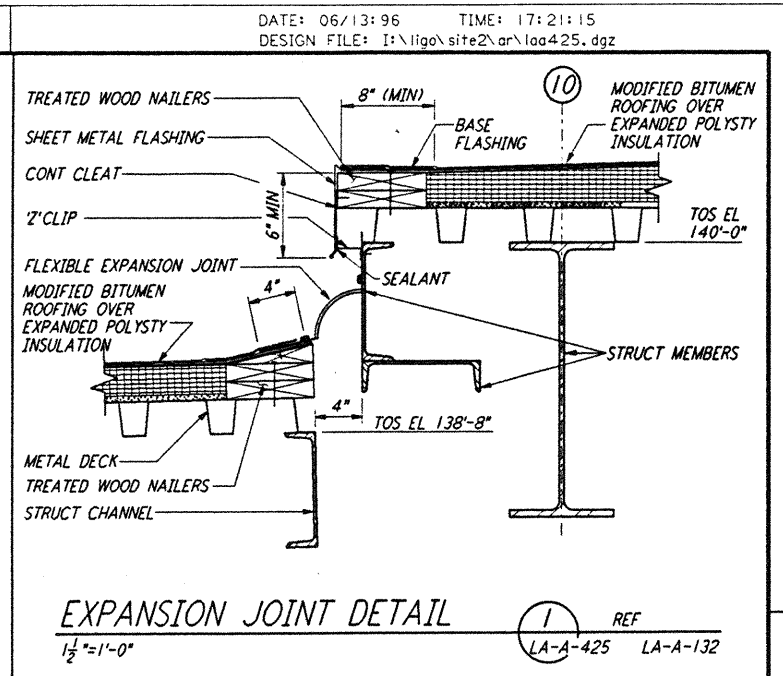
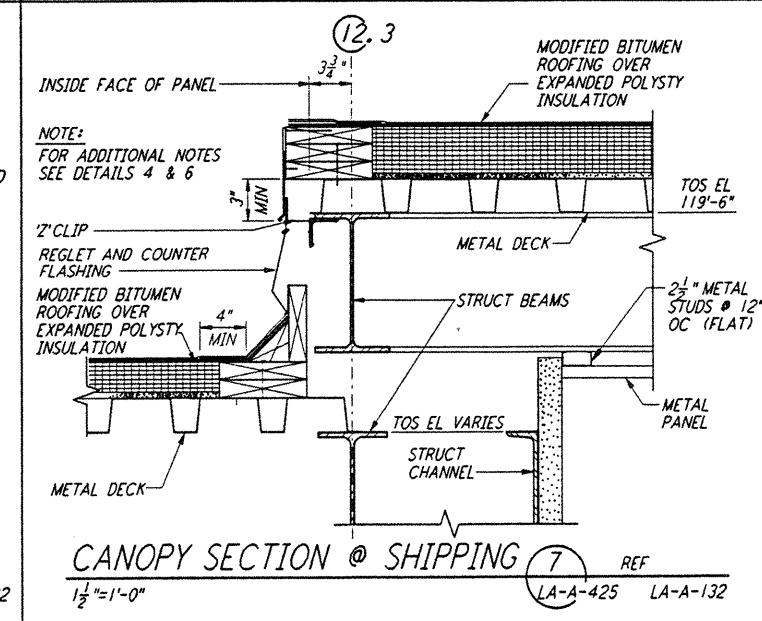
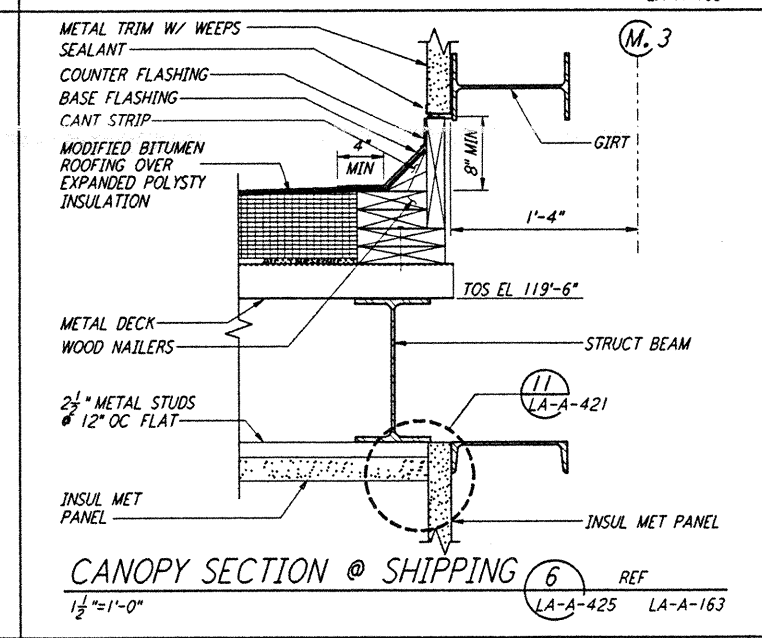
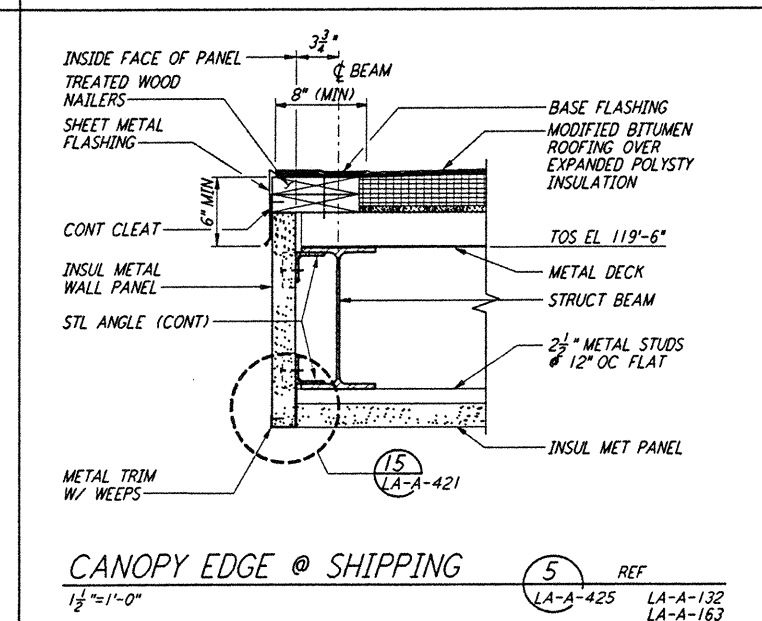
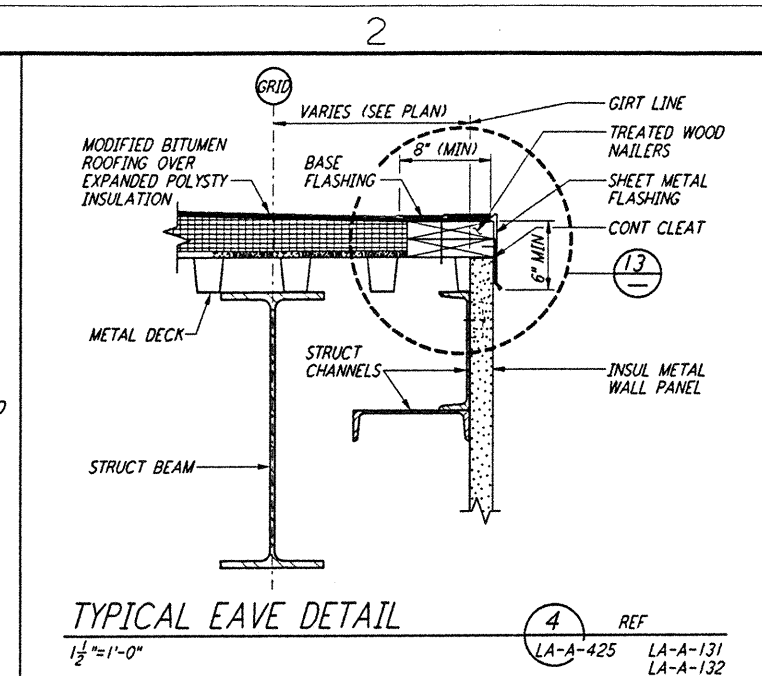
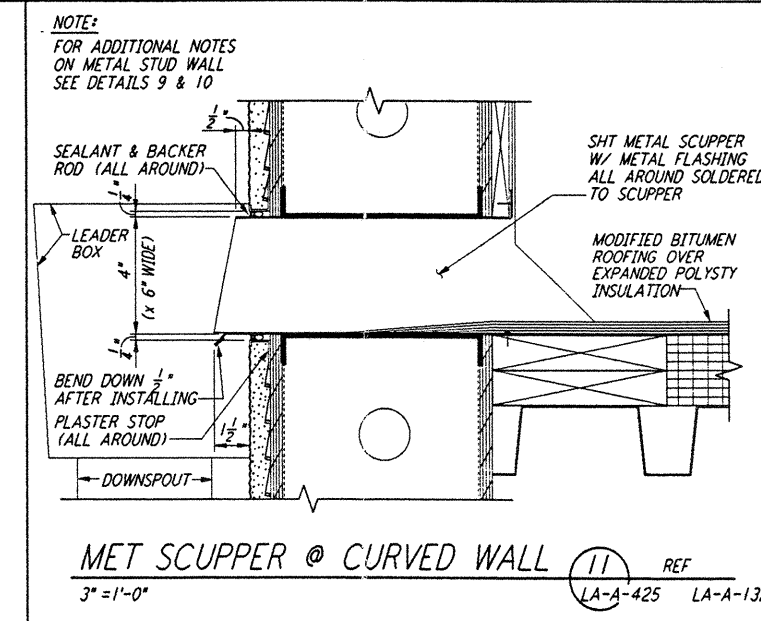
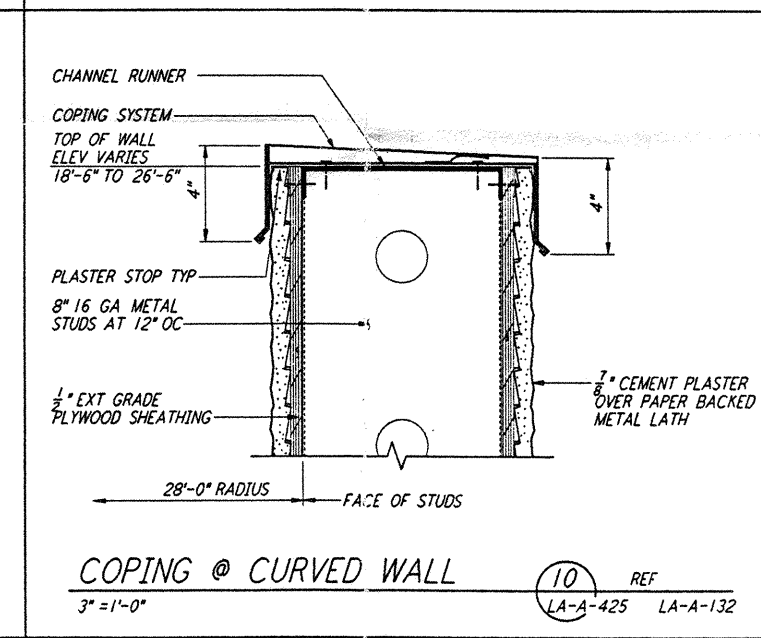
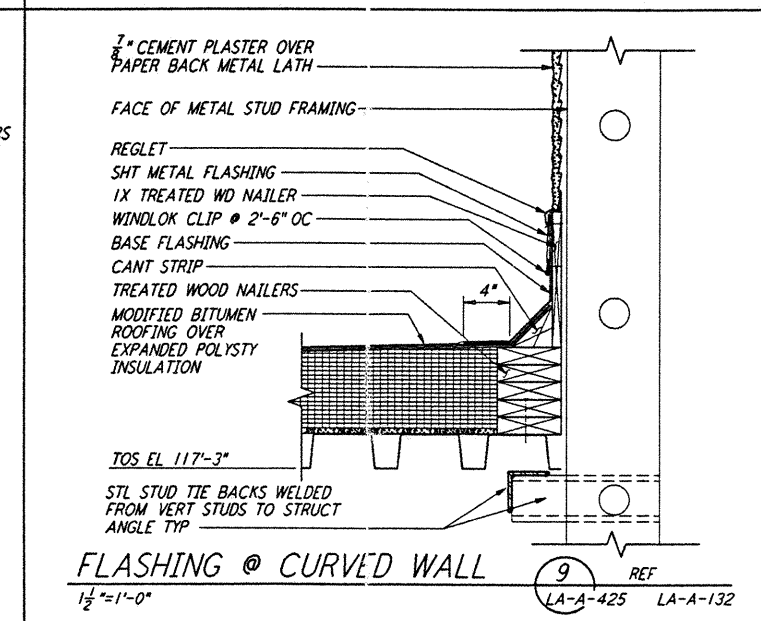
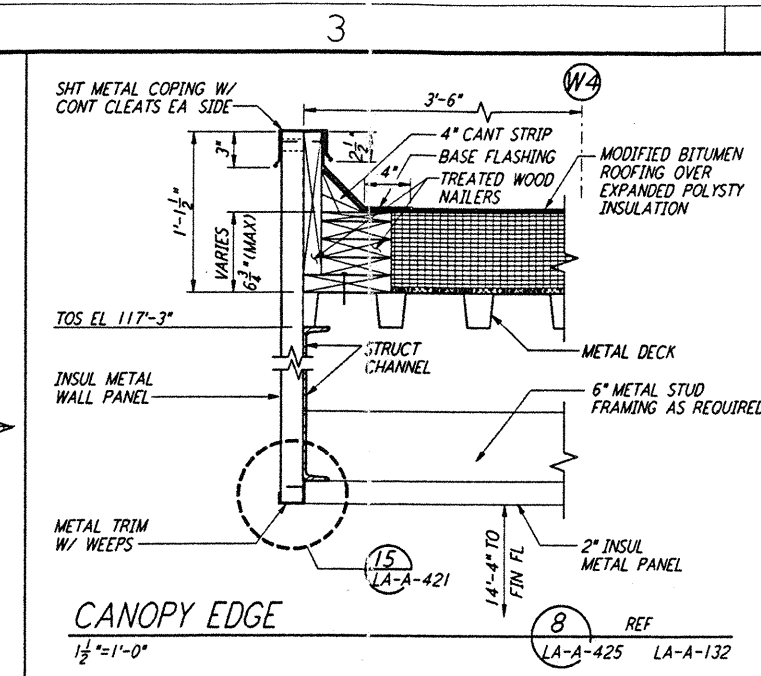
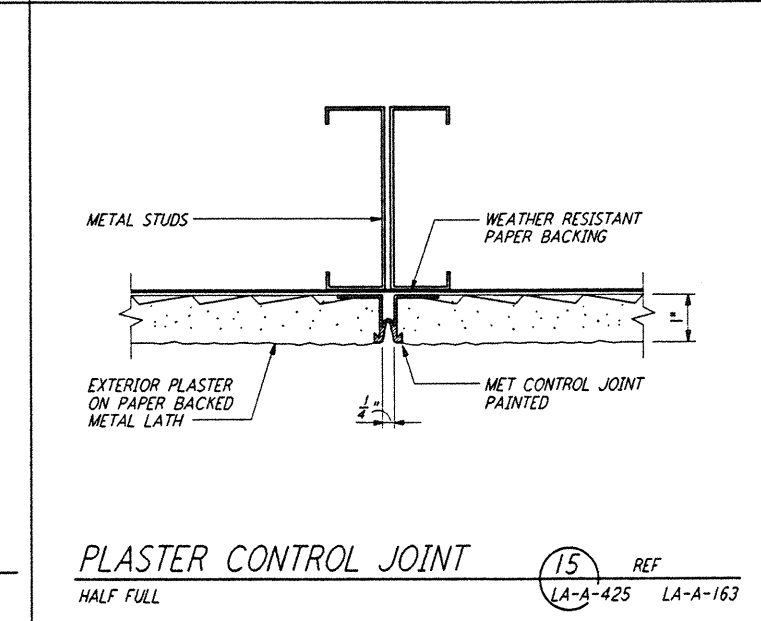
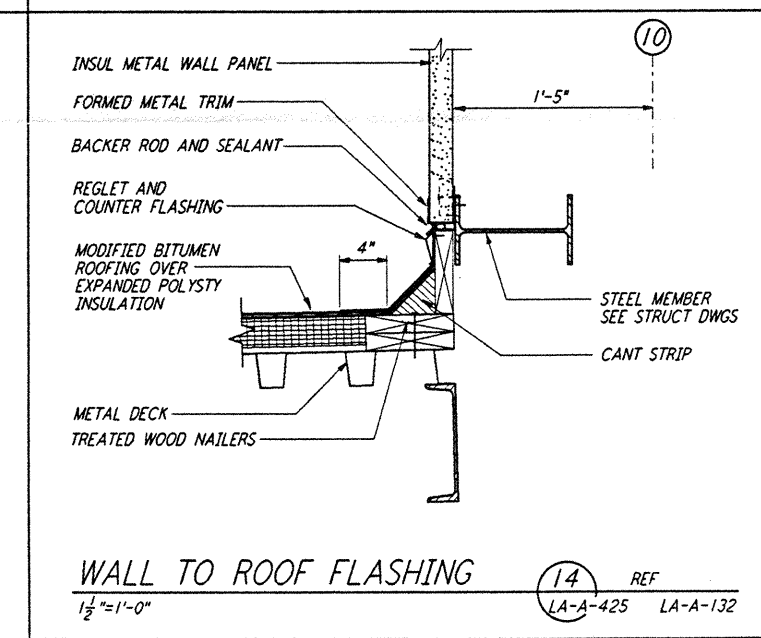
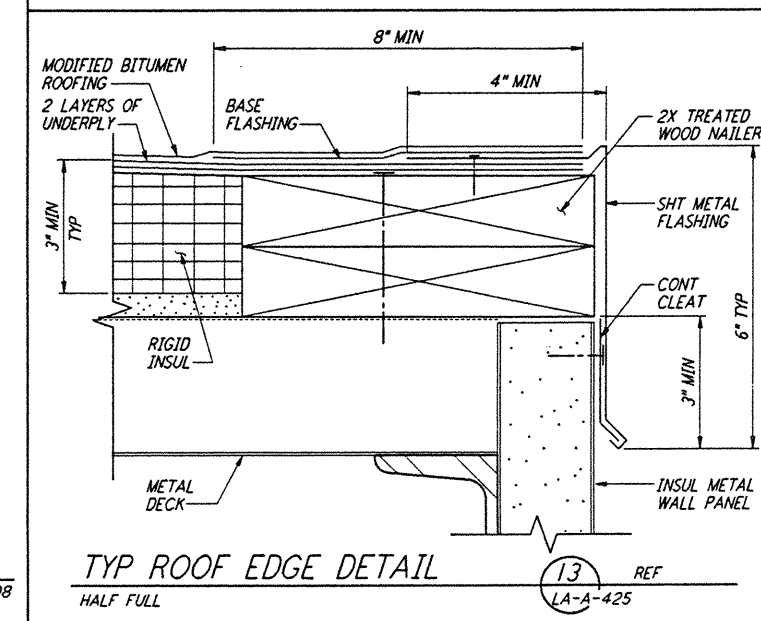
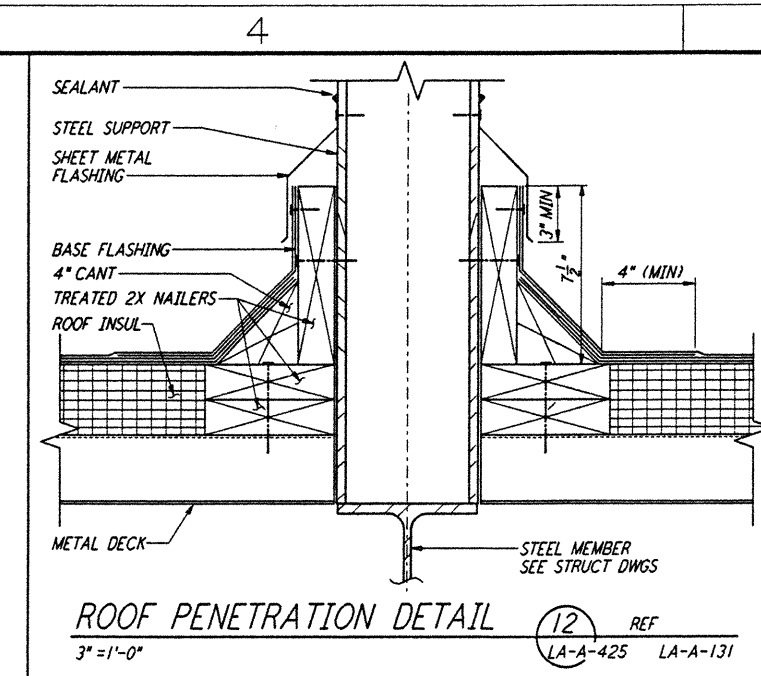
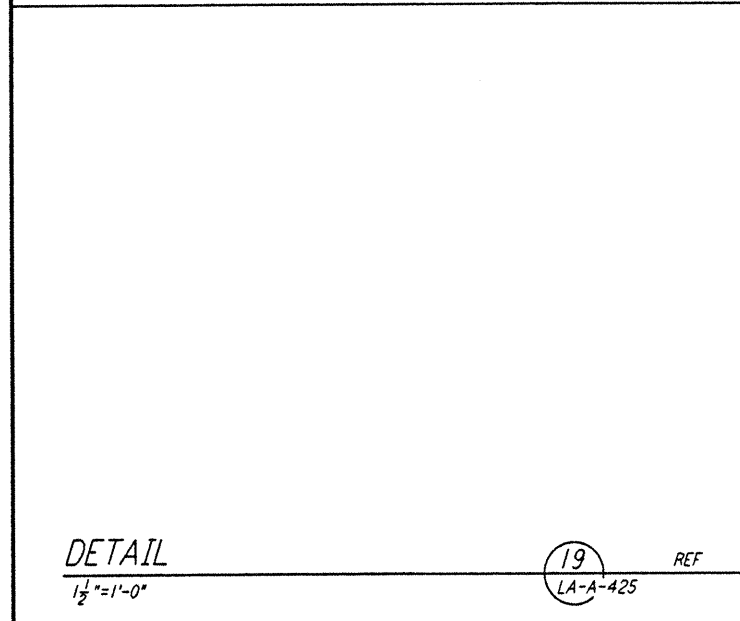
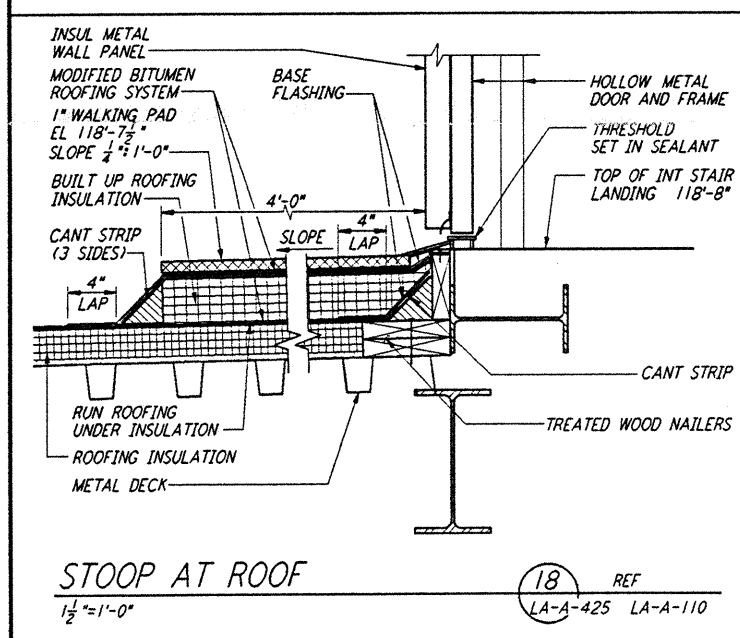
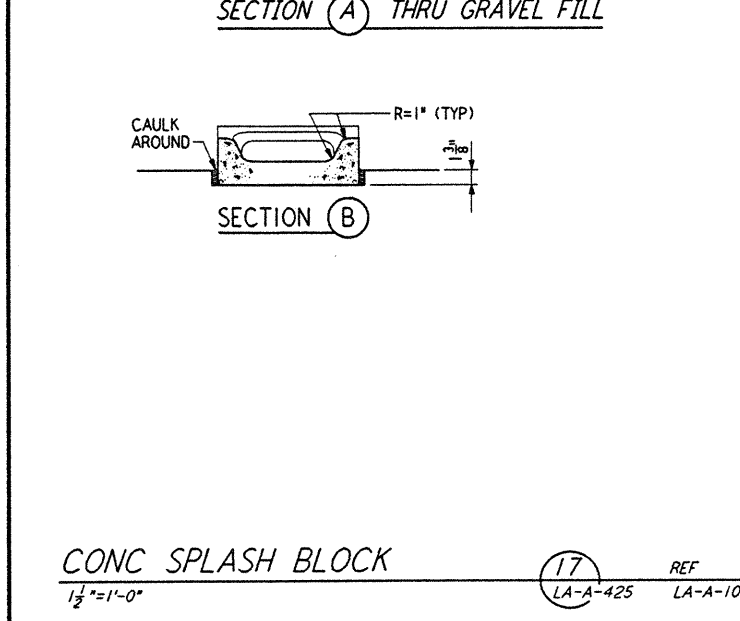
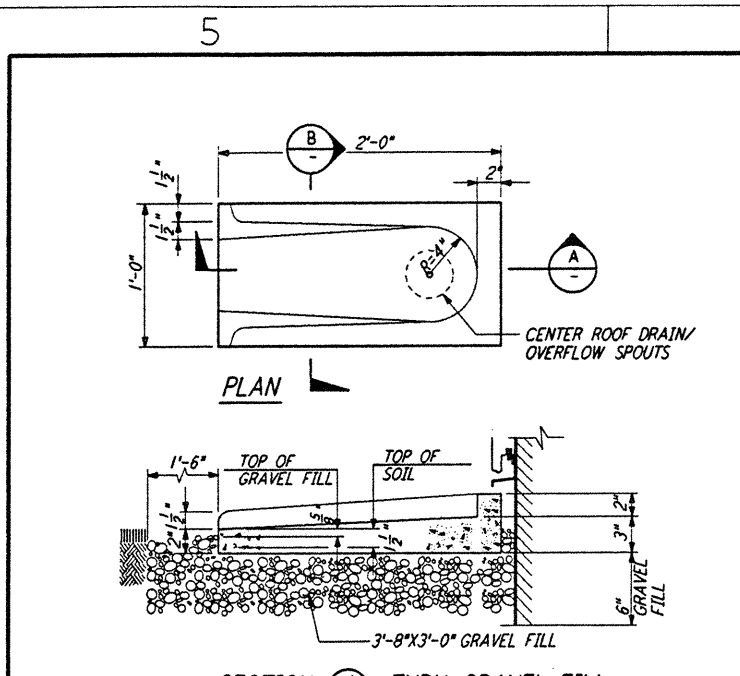


This document and the design it covers are the property of PARSONS. They are loaned only with the borrower's expressed written agreement that they will not be reproduced, copied, loaned, exhibited, or used in any other way, except by written consent from PARSONS to the borrower.



NO.	DATE	BY	CHKD	ENGR	PROJ	DESCRIPTION
B	6-14-96	CKT	BK	SF	TDM	FINAL DESIGN REVIEW
A	10/31/95	SF	SF	TDM	PROJ	PRELIMINARY DESIGN REVIEW

NO.	DATE	BY	CHKD	ENGR	PROJ	DESCRIPTION
B	6-14-96	CKT	BK	SF	TDM	FINAL DESIGN REVIEW
A	10/31/95	SF	SF	TDM	PROJ	PRELIMINARY DESIGN REVIEW

NO.	DATE	BY	CHKD	ENGR	PROJ	DESCRIPTION
B	6-14-96	CKT	BK	SF	TDM	FINAL DESIGN REVIEW
A	10/31/95	SF	SF	TDM	PROJ	PRELIMINARY DESIGN REVIEW

NO.	DATE	BY	CHKD	ENGR	PROJ	DESCRIPTION
B	6-14-96	CKT	BK	SF	TDM	FINAL DESIGN REVIEW
A	10/31/95	SF	SF	TDM	PROJ	PRELIMINARY DESIGN REVIEW

TITLE	SCALE	CONTRACT NUMBER	PROJECT NUMBER
ARCHITECTURAL ROOF AND MISCELLANEOUS EXTERIOR DETAILS	1/2" = 1'-0"	PPI50969	8094
SHEET NUMBER		REVISIONS	
LA-A-425		A	