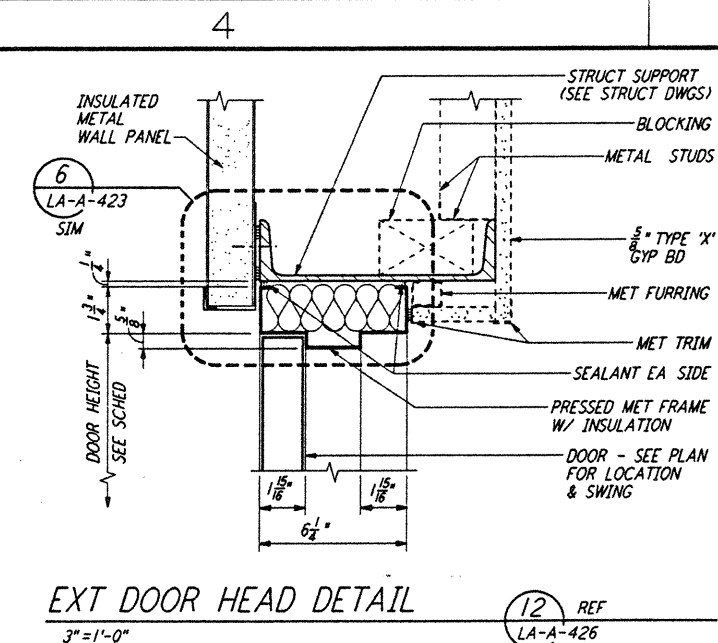
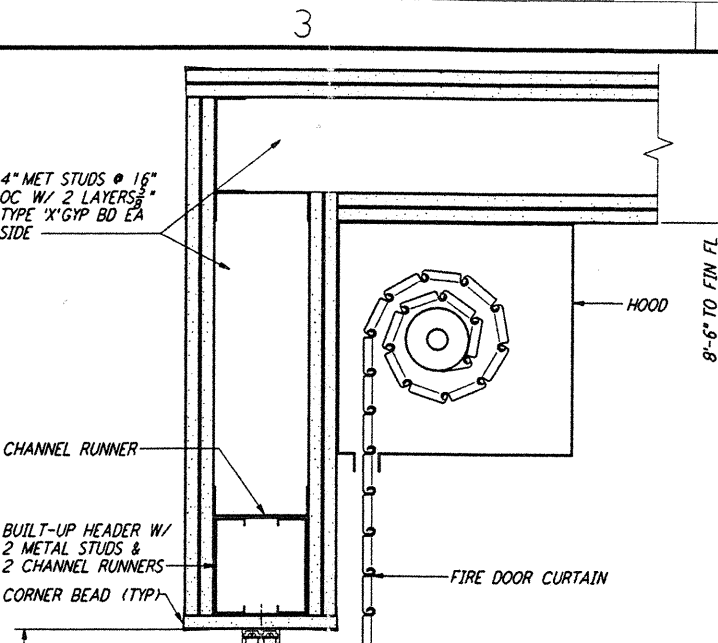


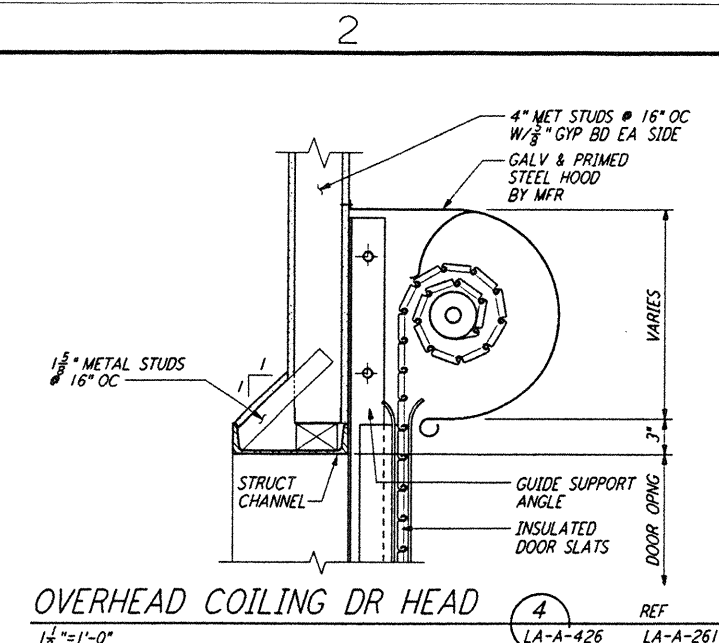
HEAD @ SLIDING FIRE DOOR (16) REF
 LA-A-426



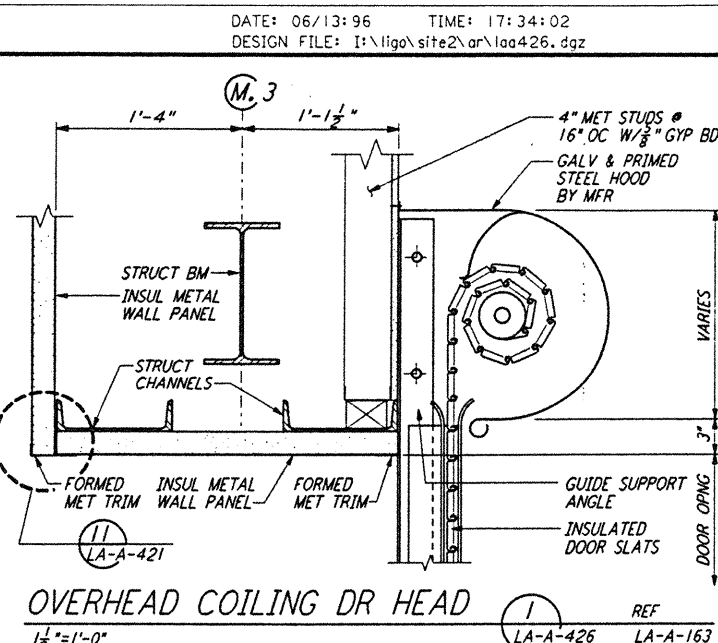
EXT DOOR HEAD DETAIL (12) REF
 LA-A-426



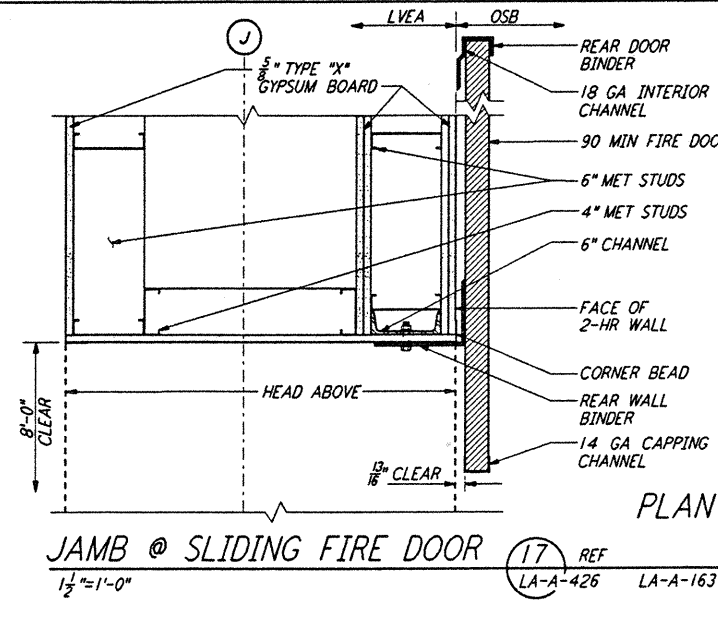
WINDOW FIRE SHUTTER HEAD (9) REF
 LA-A-426 LA-A-162



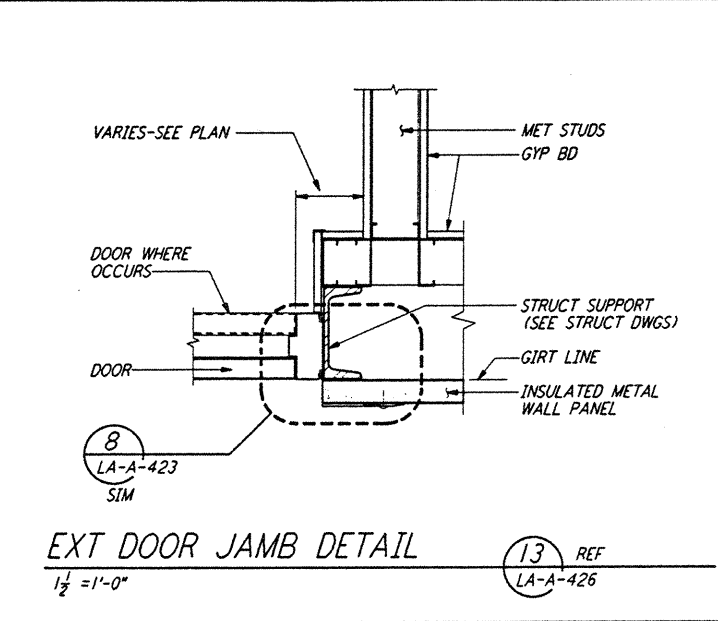
OVERHEAD COILING DR HEAD (4) REF
 LA-A-426 LA-A-261



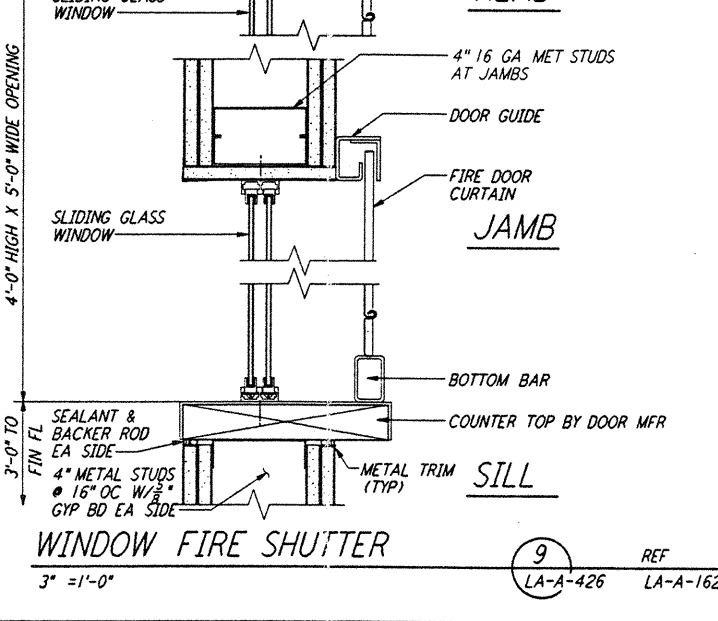
OVERHEAD COILING DR HEAD (1) REF
 LA-A-426 LA-A-163



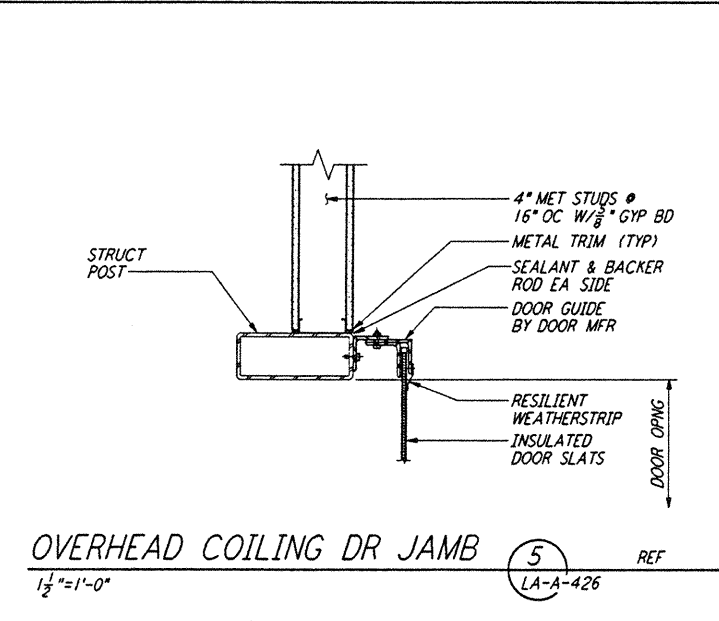
JAMB @ SLIDING FIRE DOOR (17) REF
 LA-A-426 LA-A-163



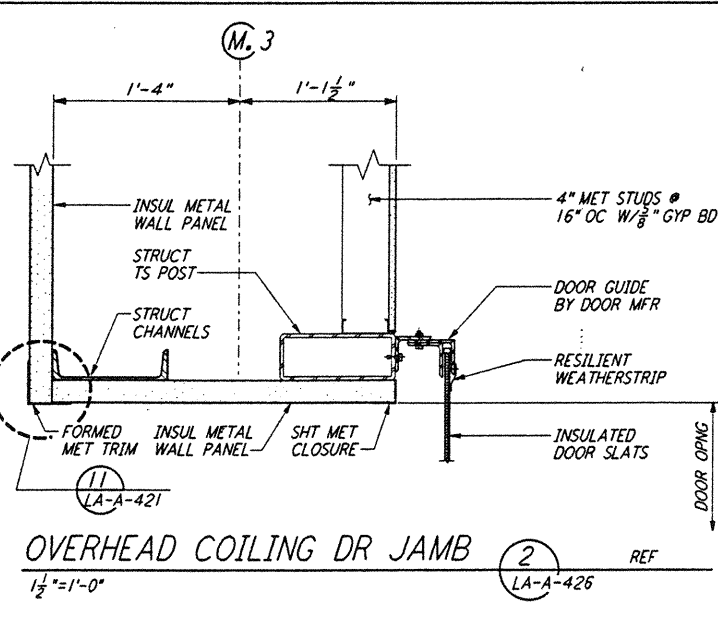
EXT DOOR JAMB DETAIL (13) REF
 LA-A-426



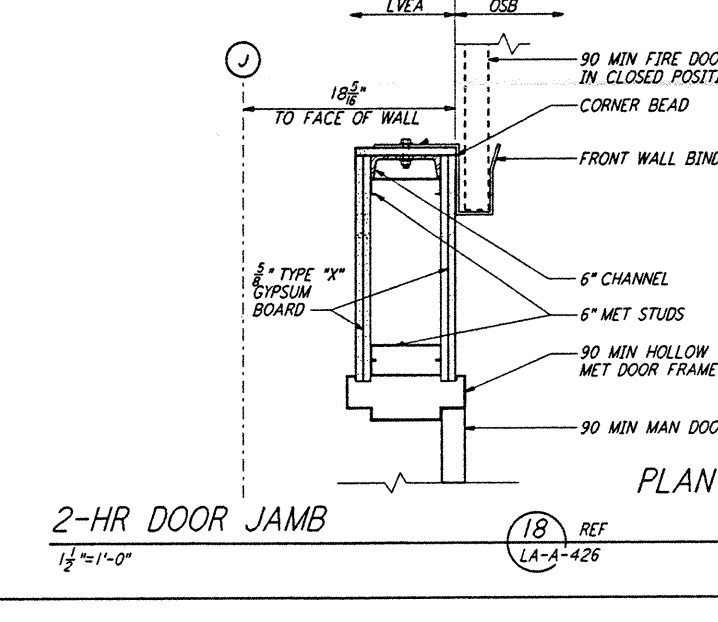
WINDOW FIRE SHUTTER JAMB (9) REF
 LA-A-426 LA-A-162



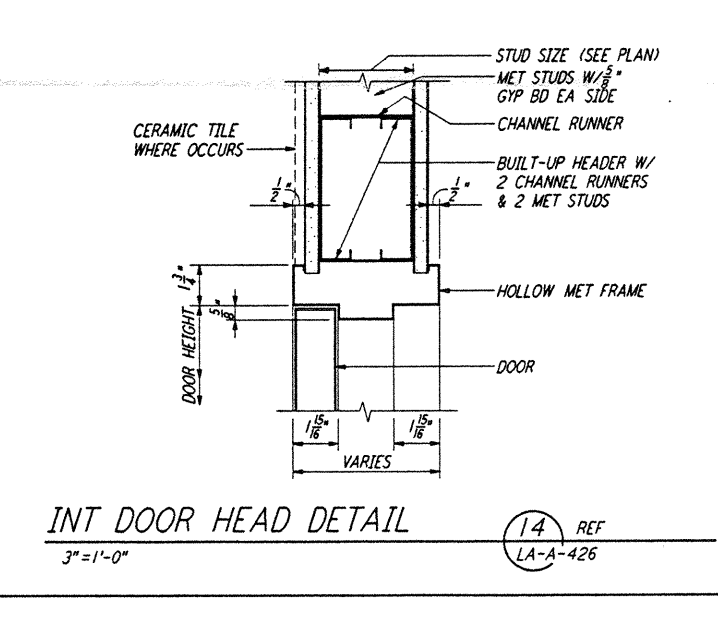
OVERHEAD COILING DR JAMB (5) REF
 LA-A-426



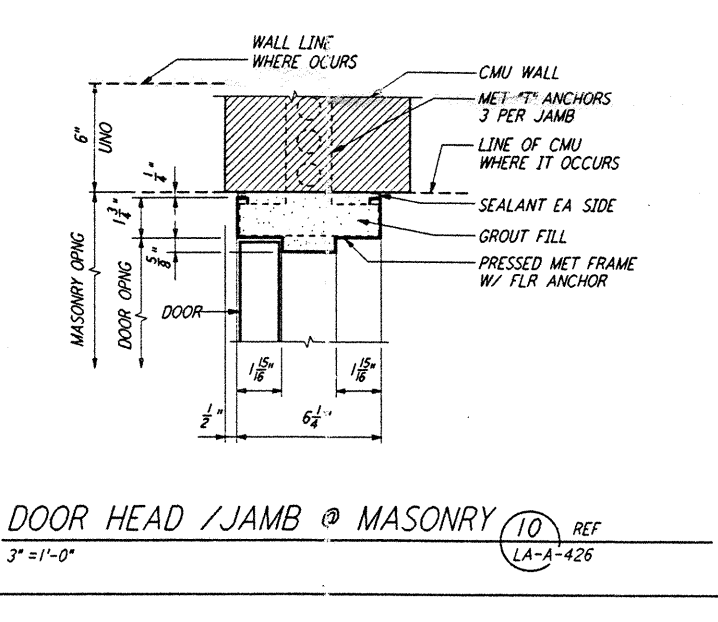
OVERHEAD COILING DR JAMB (2) REF
 LA-A-426



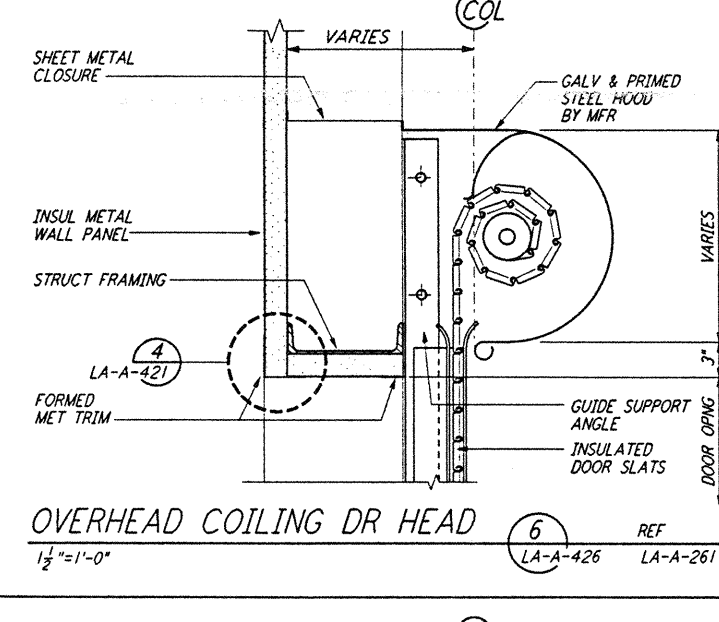
2-HR DOOR JAMB (18) REF
 LA-A-426



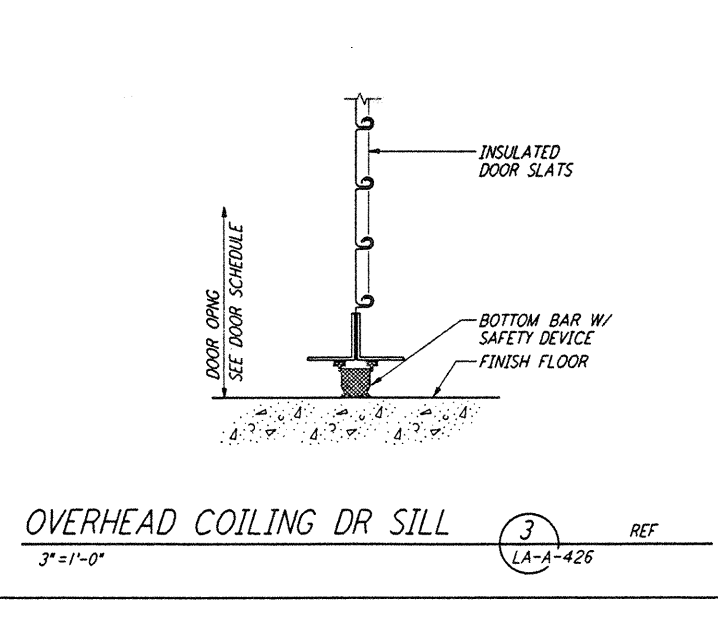
INT DOOR HEAD DETAIL (14) REF
 LA-A-426



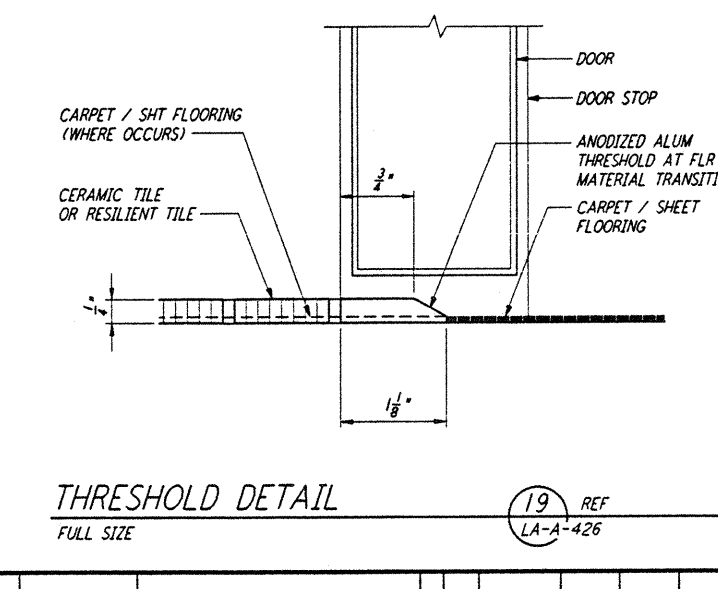
DOOR HEAD / JAMB @ MASONRY (10) REF
 LA-A-426



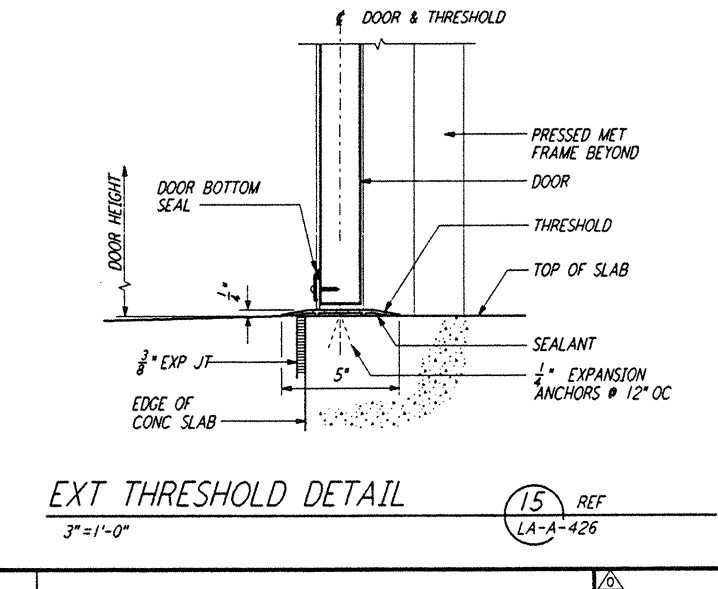
OVERHEAD COILING DR HEAD (6) REF
 LA-A-426 LA-A-261



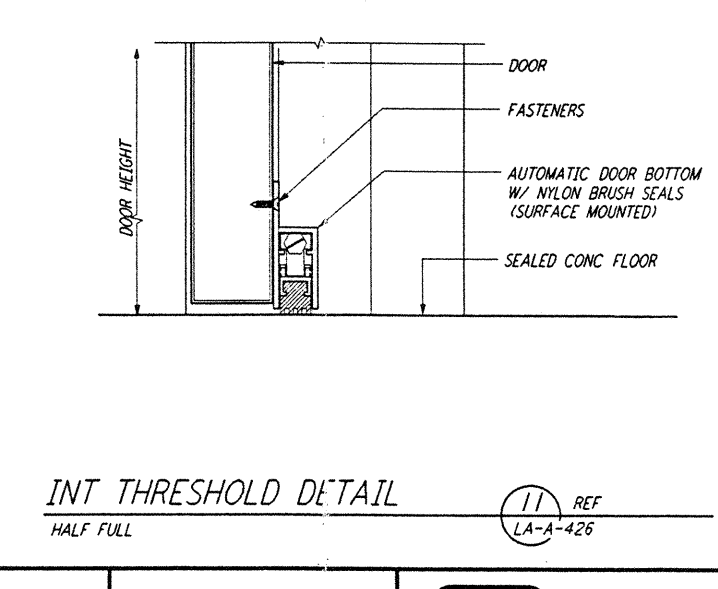
OVERHEAD COILING DR SILL (3) REF
 LA-A-426



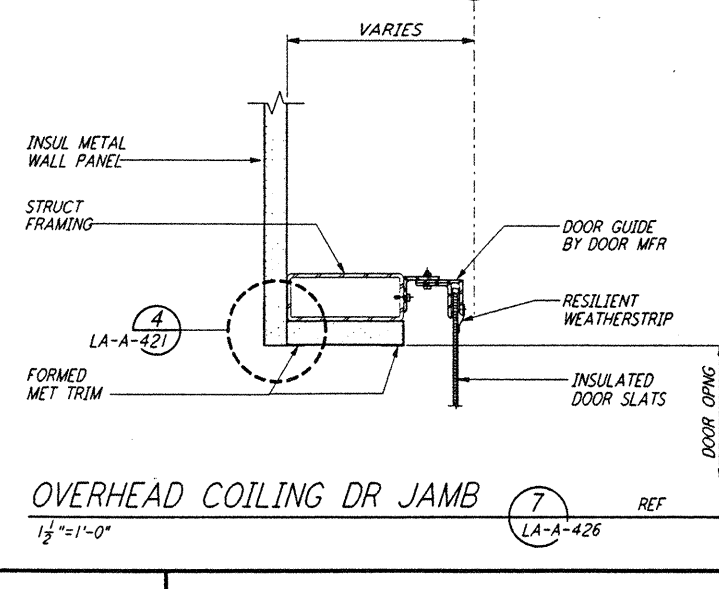
THRESHOLD DETAIL (19) REF
 LA-A-426



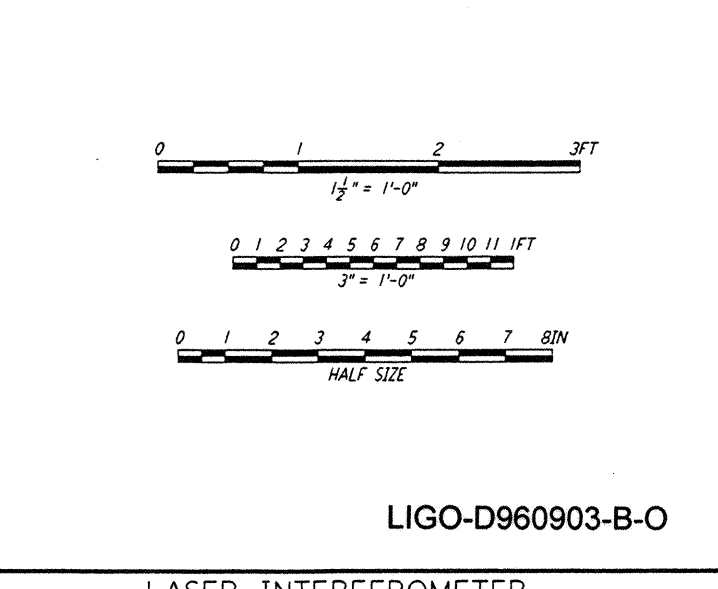
EXT THRESHOLD DETAIL (15) REF
 LA-A-426



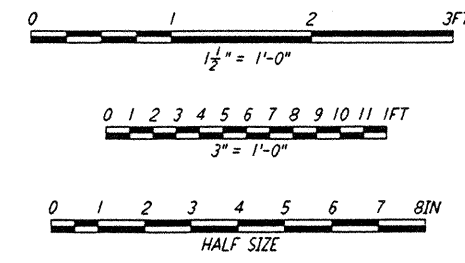
INT THRESHOLD DETAIL (11) REF
 LA-A-426



OVERHEAD COILING DR JAMB (7) REF
 LA-A-426



OVERHEAD COILING DR SILL (3) REF
 LA-A-426



LIGO-D960903-B-0

NO.	DATE	BY	CHKD	ENGR	PROJ	DESCRIPTION
B	6-14-96	CKT	BK	SF	TOM	FINAL DESIGN REVIEW
A	10/31/95	SF	SF	TOM		PRELIMINARY DESIGN REVIEW

DRAWN	SH/RR
CHECKED	
ENGINEER	
PROJ	

PARSONS
 100 WEST WALNUT STREET
 PASADENA, CALIFORNIA

LIGO
 CALIFORNIA INSTITUTE OF TECHNOLOGY
 MASSACHUSETTS INSTITUTE OF TECHNOLOGY

LASER INTERFEROMETER
 GRAVITATIONAL-WAVE OBSERVATORY
 SITE NO. 2 - LIVINGSTON, LOUISIANA

ARCHITECTURAL
 DOOR DETAILS

LA-A-426

This document and the design it covers are the property of PARSONS. They are loaned only with the borrower's expressed written agreement that they will not be reproduced, copied, loaned, exhibited, or used in any other way, except by written consent from PARSONS to the borrower.

THU JUN 13 17:32:00 1996 53193002 451414113ARLESY112626148K0404141

THU JUN 13 17:32:00 1996 53193002 451414113ARLESY112626148K0404141