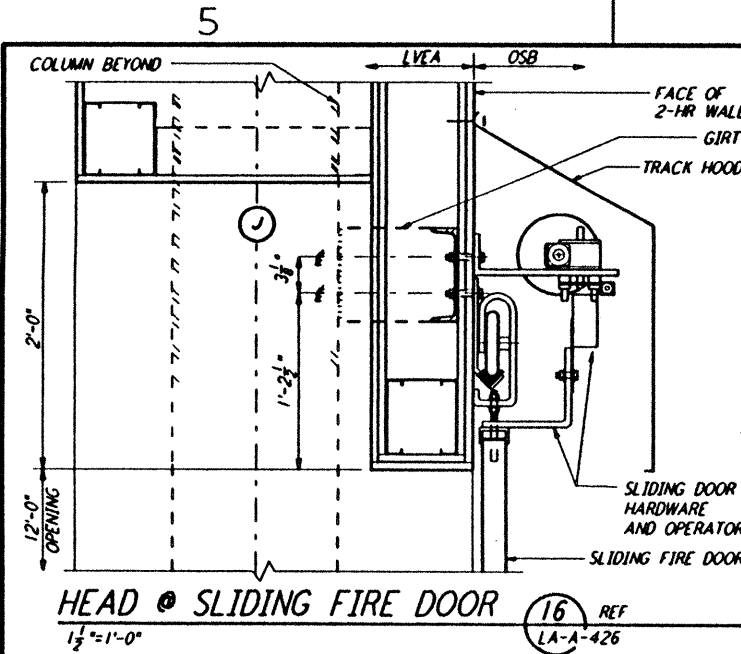
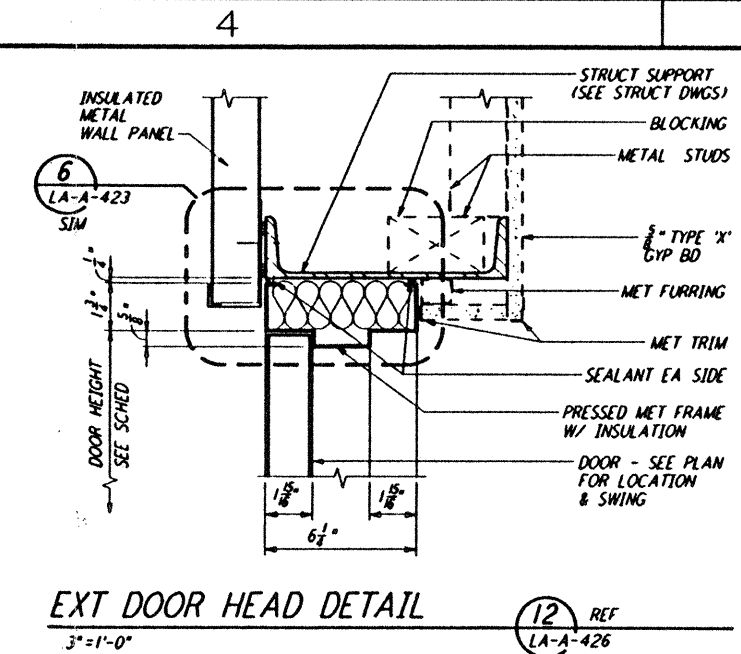


This document and the design it covers are the property of PARSONS. They are loaned only with the borrower's expressed written agreement that they will not be reproduced, copied, loaned, exhibited, or used in any other way, except by written consent from PARSONS to the borrower.

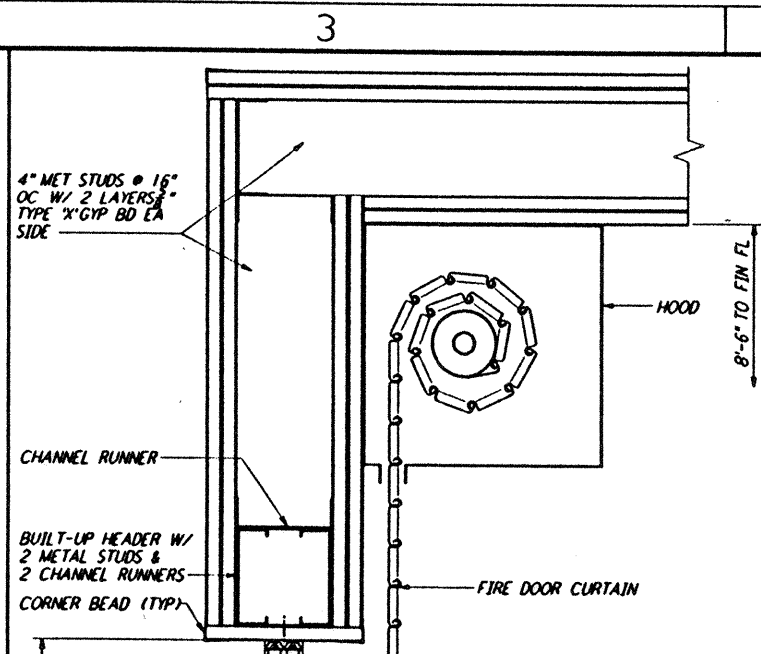
DATE: 07/23/96 TIME: 08:48:30
 DESIGN FILE: I:\ligo\site2\ar\10a426.dwg



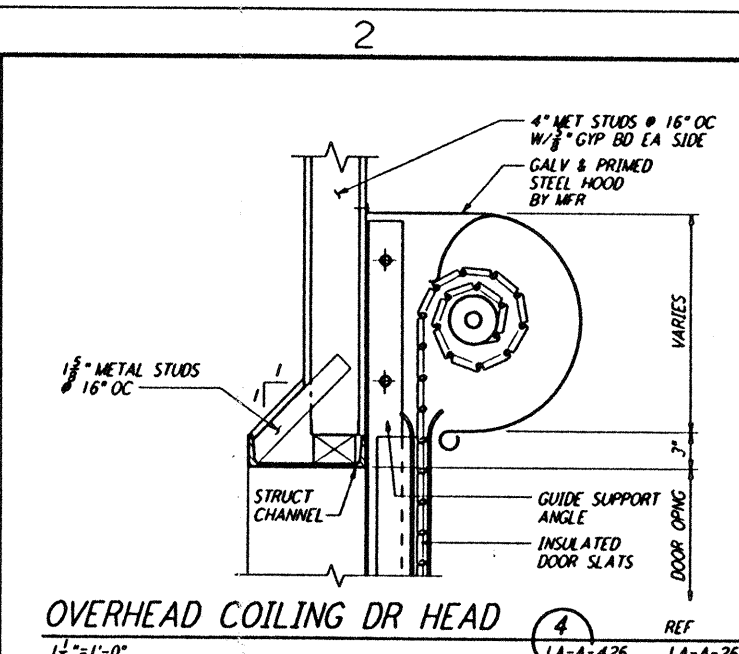
HEAD @ SLIDING FIRE DOOR (16) REF
 1 1/2" = 1'-0" LA-A-426



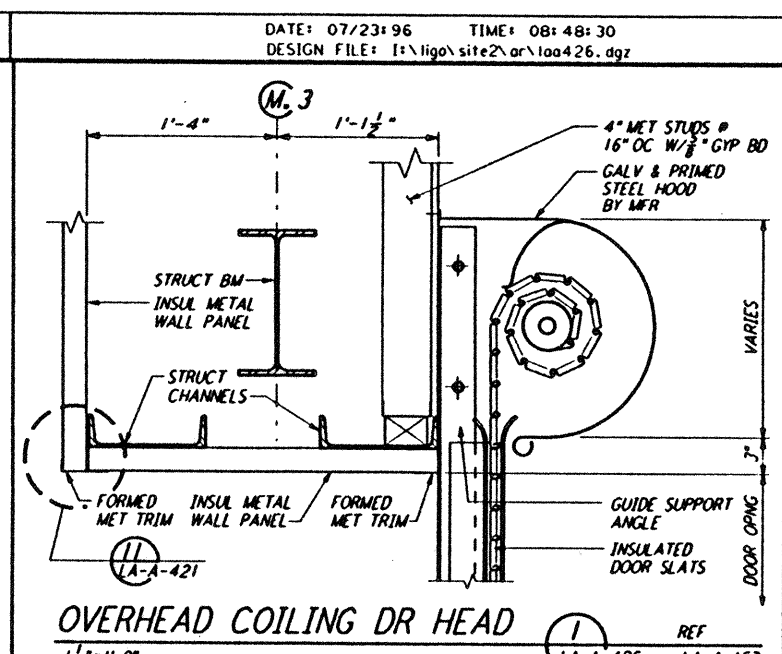
EXT DOOR HEAD DETAIL (12) REF
 3" = 1'-0" LA-A-426



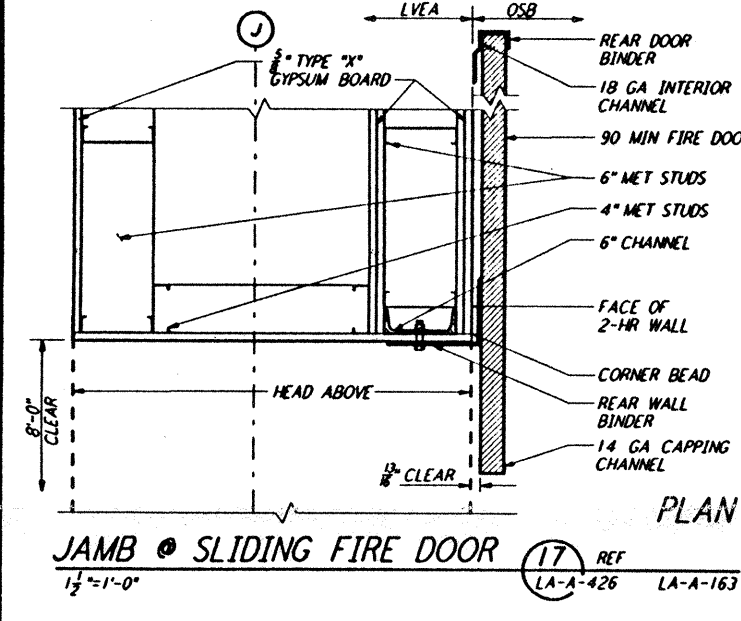
HEAD (9) REF
 3" = 1'-0" LA-A-426 LA-A-162



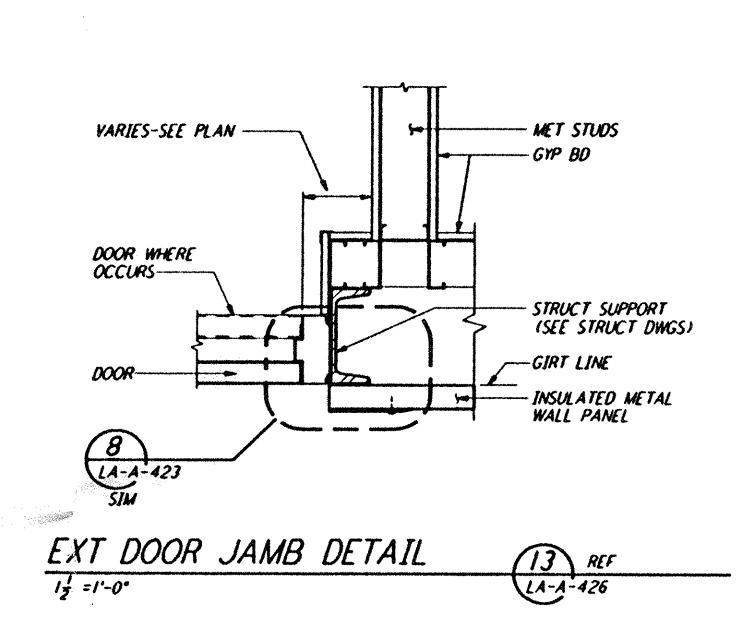
OVERHEAD COILING DR HEAD (4) REF
 1 1/2" = 1'-0" LA-A-426 LA-A-261



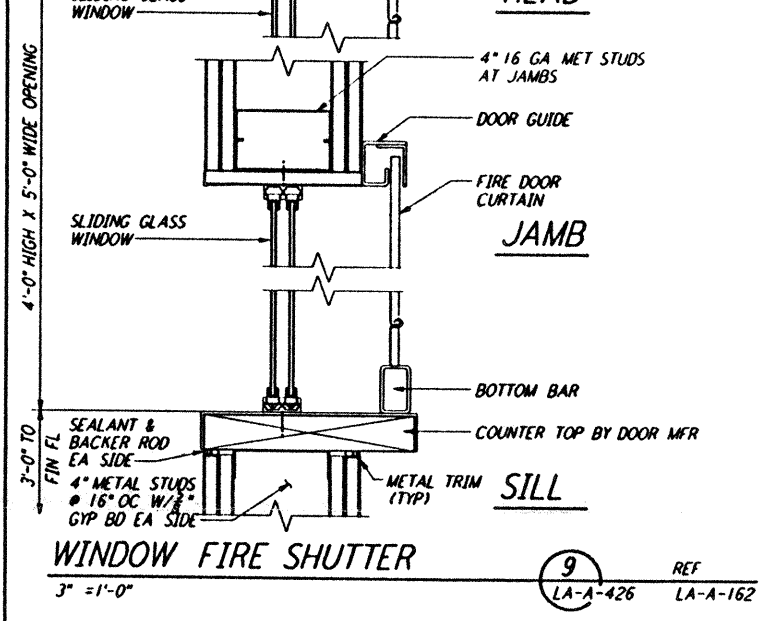
OVERHEAD COILING DR HEAD (1) REF
 1 1/2" = 1'-0" LA-A-426 LA-A-163



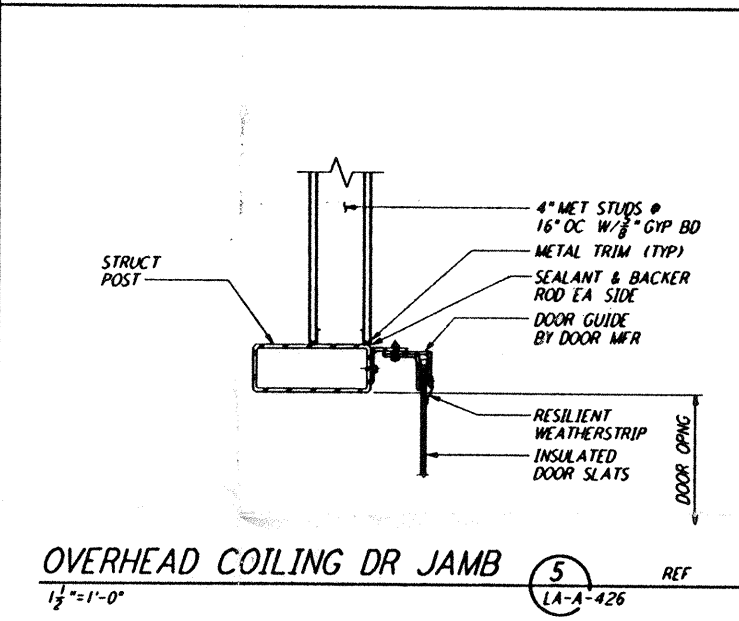
JAMB @ SLIDING FIRE DOOR (17) REF
 1 1/2" = 1'-0" LA-A-426 LA-A-163



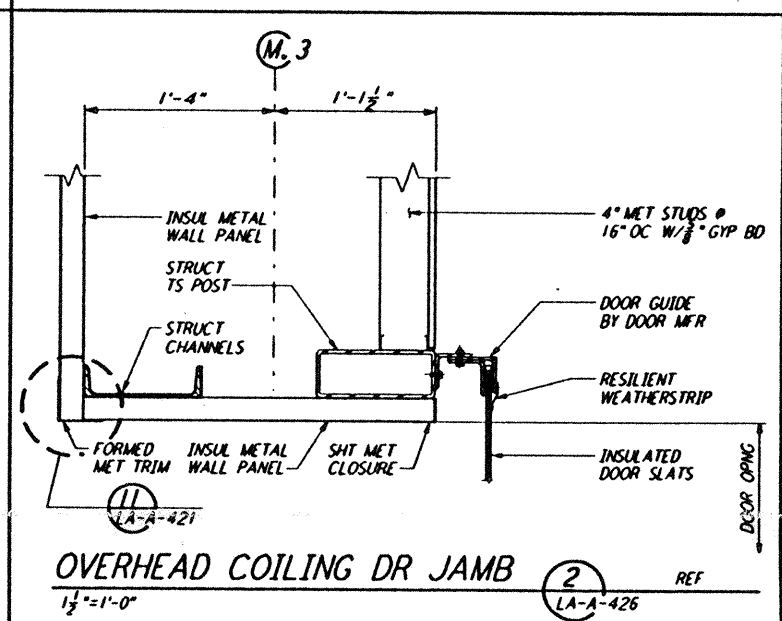
EXT DOOR JAMB DETAIL (13) REF
 1 1/2" = 1'-0" LA-A-426



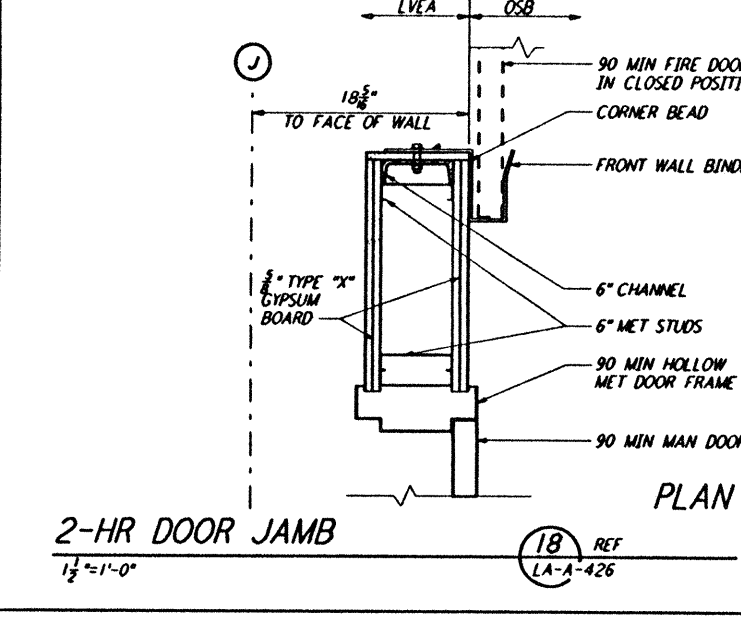
WINDOW FIRE SHUTTER (9) REF
 3" = 1'-0" LA-A-426 LA-A-162



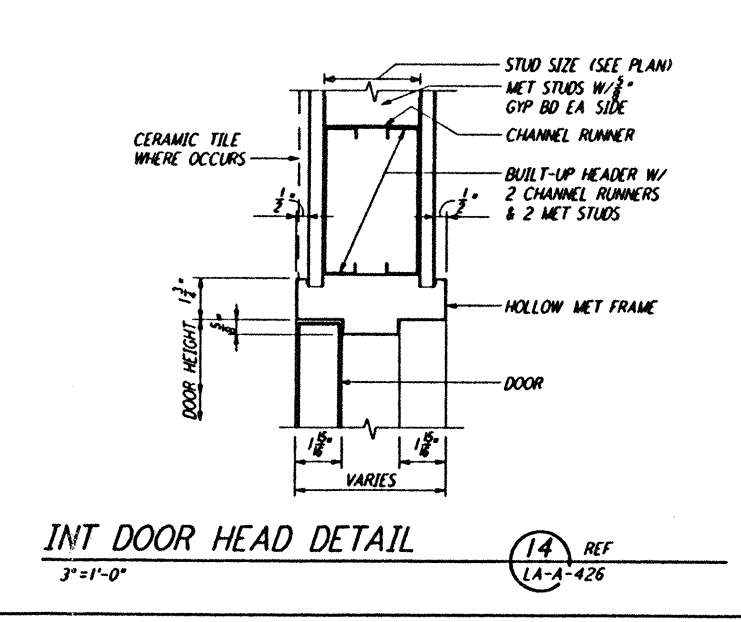
OVERHEAD COILING DR JAMB (5) REF
 1 1/2" = 1'-0" LA-A-426



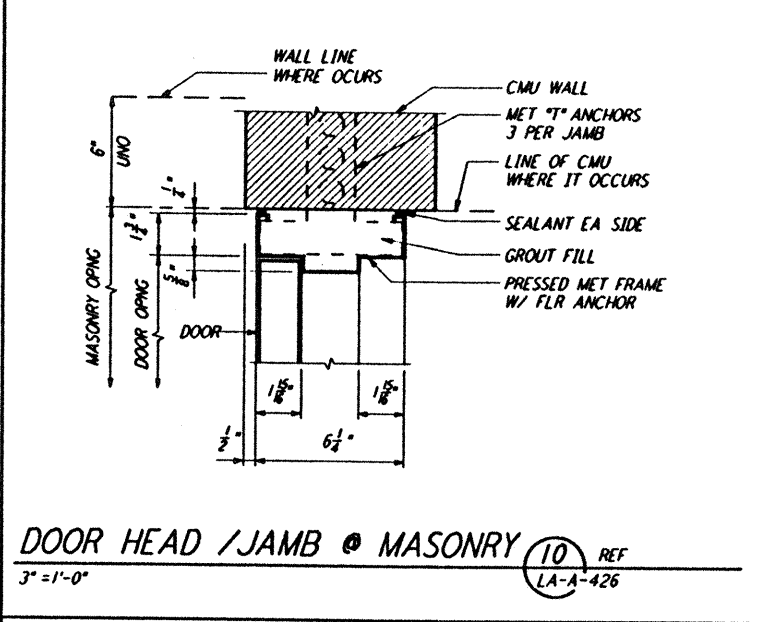
OVERHEAD COILING DR JAMB (2) REF
 1 1/2" = 1'-0" LA-A-426



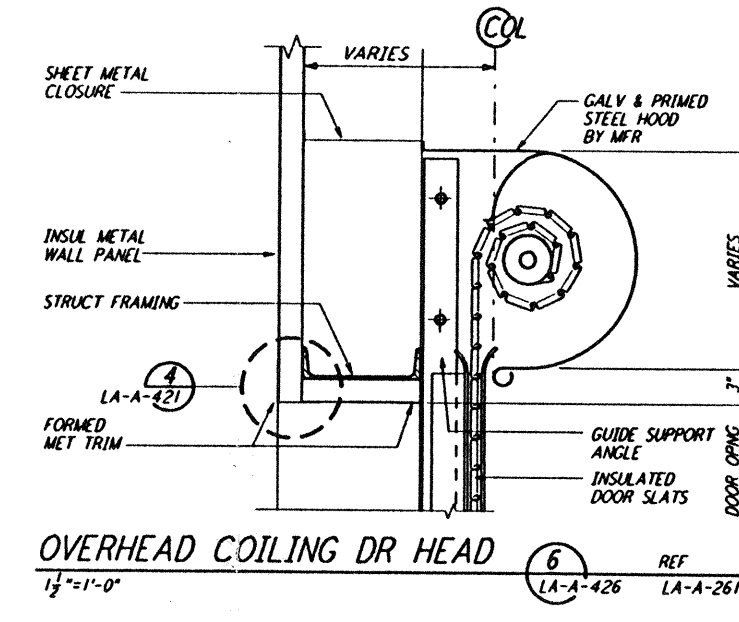
2-HR DOOR JAMB (18) REF
 1 1/2" = 1'-0" LA-A-426



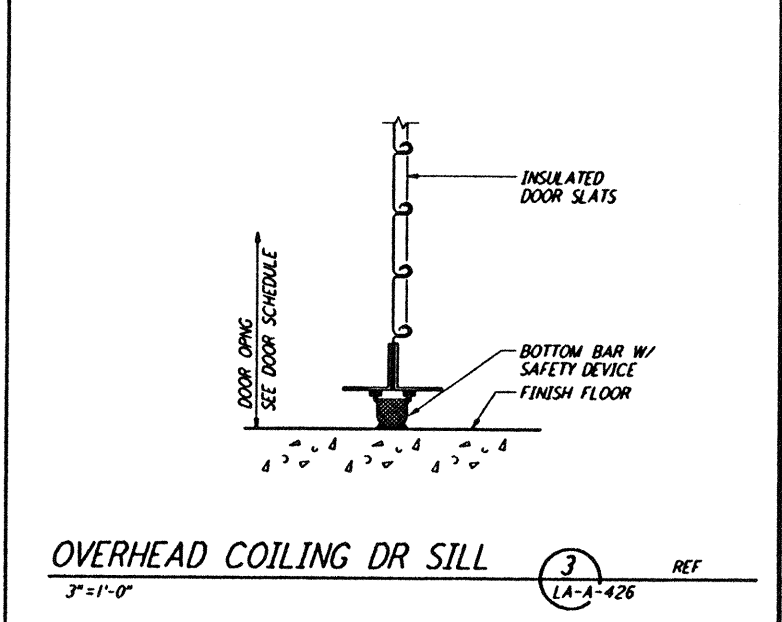
INT DOOR HEAD DETAIL (14) REF
 3" = 1'-0" LA-A-426



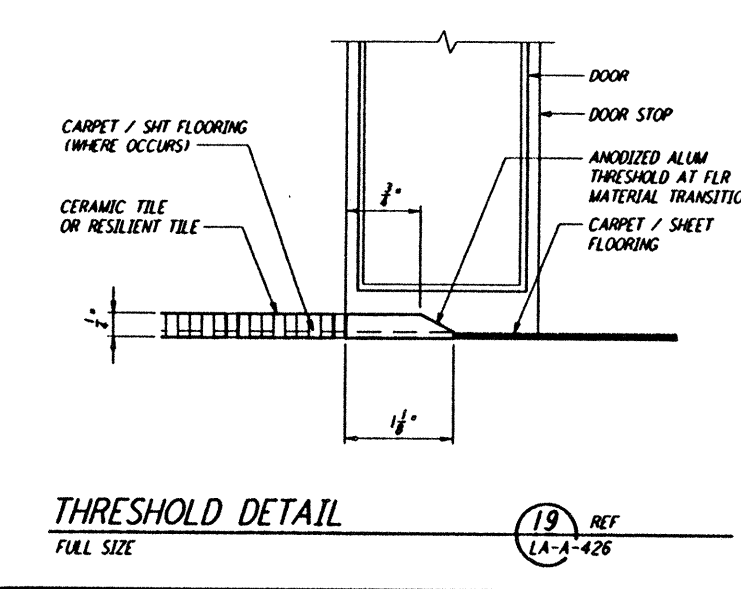
DOOR HEAD / JAMB @ MASONRY (10) REF
 3" = 1'-0" LA-A-426



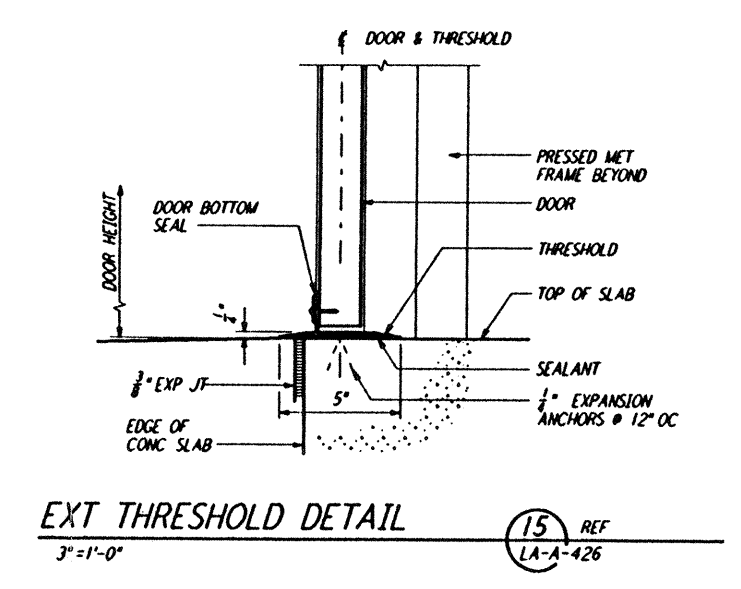
OVERHEAD COILING DR HEAD (6) REF
 1 1/2" = 1'-0" LA-A-426 LA-A-261



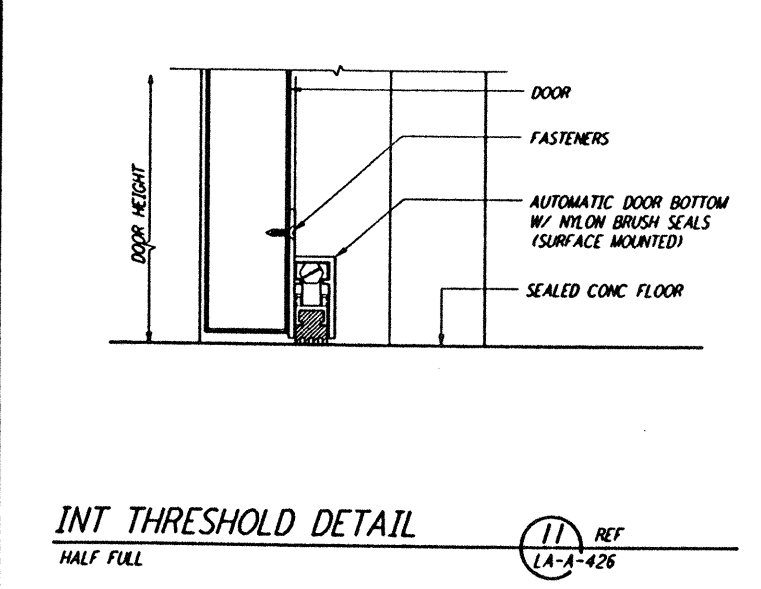
OVERHEAD COILING DR SILL (3) REF
 3" = 1'-0" LA-A-426



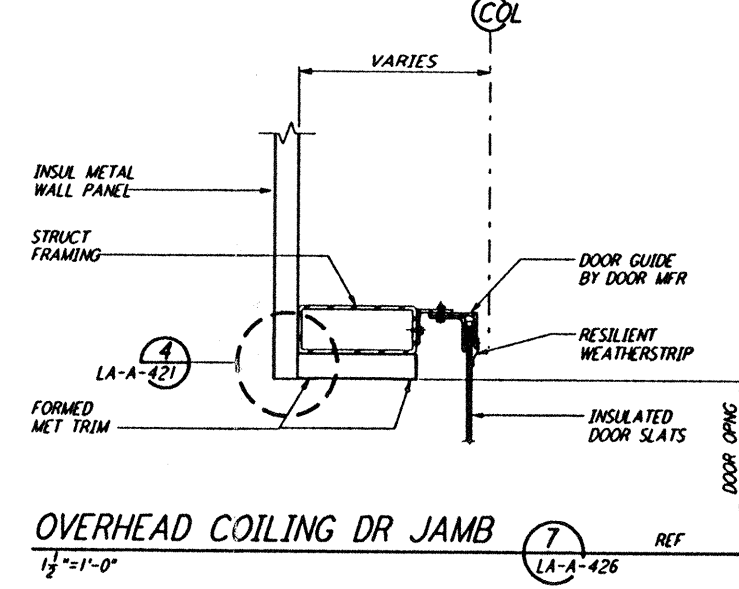
THRESHOLD DETAIL FULL SIZE (19) REF
 LA-A-426



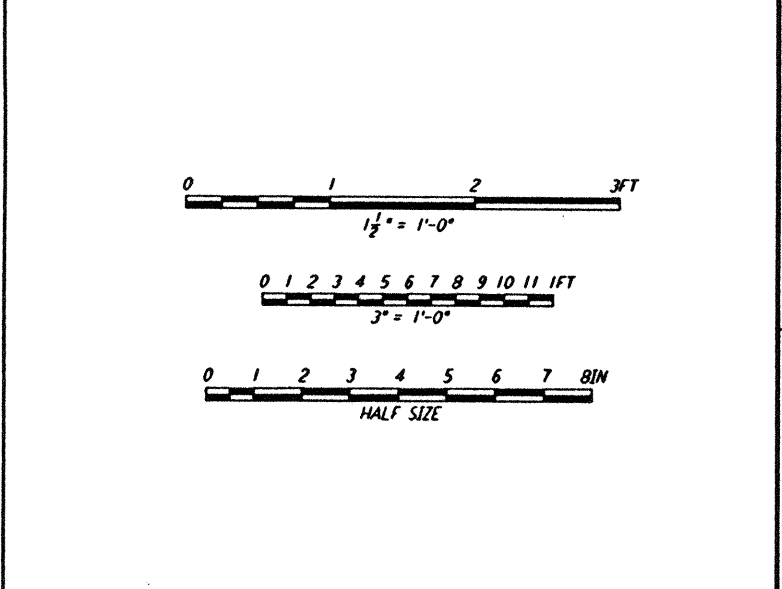
EXT THRESHOLD DETAIL (15) REF
 3" = 1'-0" LA-A-426



INT THRESHOLD DETAIL HALF FULL (11) REF
 LA-A-426



OVERHEAD COILING DR JAMB (7) REF
 1 1/2" = 1'-0" LA-A-426



OVERHEAD COILING DR SILL (3) REF
 LA-A-426

NO.	DATE	BY	CHKD	ENGR	PROJ	DESCRIPTION
C	7-24-96	CKT	TB	BK	TDM	ISSUED FOR BID
B	6-14-96	CKT	BK	SF	TDM	FINAL DESIGN REVIEW
A	10/31/95	SF	SF	TDM		PRELIMINARY DESIGN REVIEW

NO.	DATE	BY	CHKD	ENGR	PROJ	DESCRIPTION
C	7-24-96	CKT	TB	BK	TDM	ISSUED FOR BID
B	6-14-96	CKT	BK	SF	TDM	FINAL DESIGN REVIEW
A	10/31/95	SF	SF	TDM		PRELIMINARY DESIGN REVIEW

DRAWN	SH/RR
CHECKED	
ENGINEER	
PROJ	

PARSONS
 100 WEST WALNUT STREET
 PASADENA, CALIFORNIA

LIGO
 CALIFORNIA INSTITUTE OF TECHNOLOGY
 MASSACHUSETTS INSTITUTE OF TECHNOLOGY

LASER INTERFEROMETER
 GRAVITATIONAL-WAVE OBSERVATORY
 SITE NO. 2 - LIVINGSTON, LOUISIANA
 ARCHITECTURAL
 DOOR DETAILS
LA-A-426

Tue Jul 23 08:47:20 1996 s3-v1862 J:\PLOTS\QUEUES\18B2\AR426.PRF