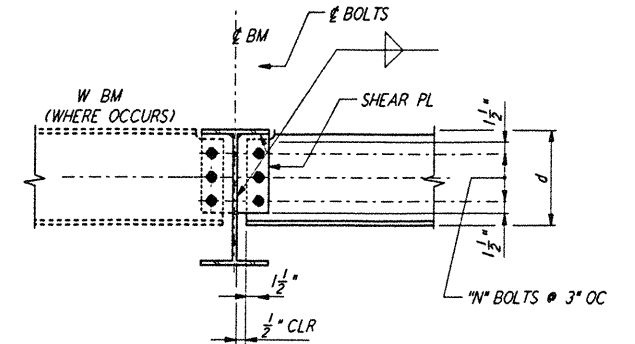


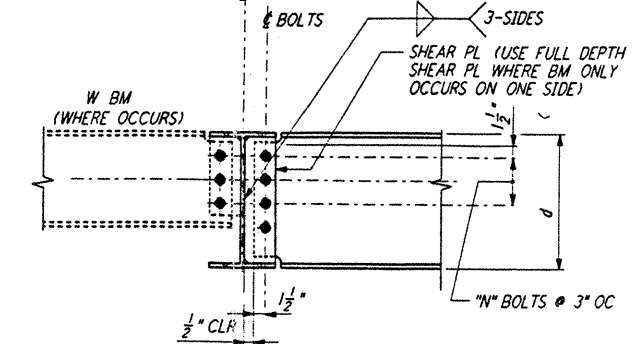
SCHEDULE	
d (IN)	NO. OF BOLTS "N" IN BM WEB
4, 5, 6	2
8, 10	2
12, 14	3
16, 18	4
21, 24, 27	5
30, 33, 36	6

DOUBLE ANGLE SHEAR CONNECTIONS  
 DETAIL 1



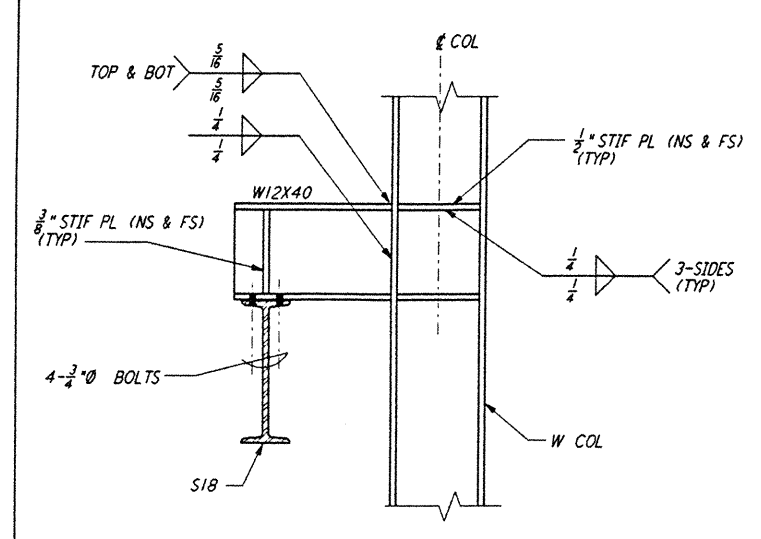
BOLTING SCHEDULE	
BEAM DEPTH d (INCHES)	NO. OF BOLTS "N"
8, 10	2
12, 14	3
16, 18	4

ROOF PURLIN CONNECTION  
 DETAIL 2

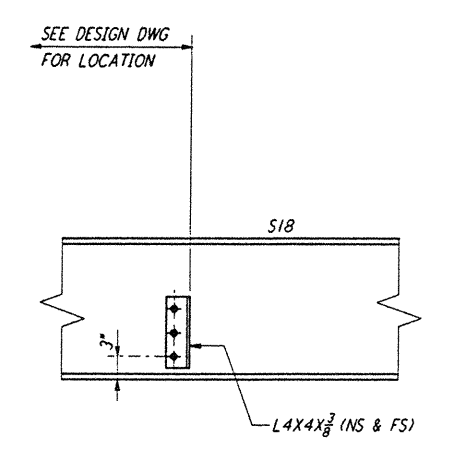


BOLTING SCHEDULE	
BEAM DEPTH d (INCHES)	NO. OF BOLTS "N"
8, 10	2
12, 14	3
16, 18	4
21, 24, 27	5
30, 33, 36	6

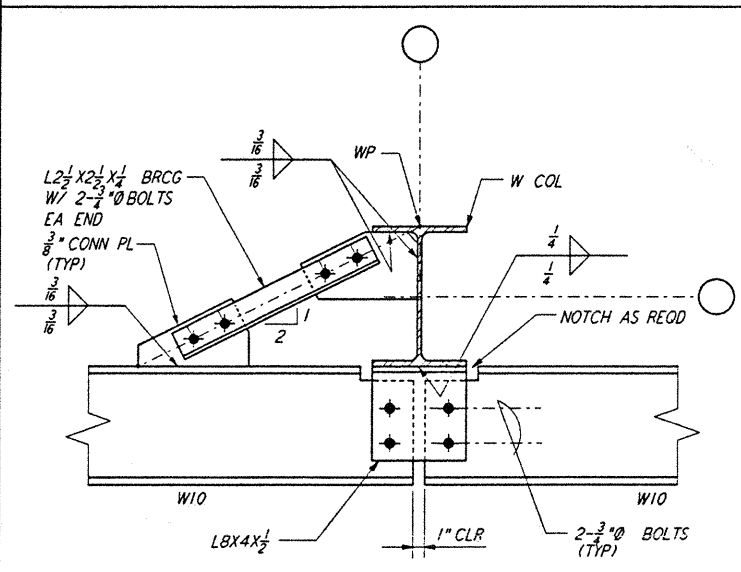
BEAM TO BEAM CONNECTION  
 DETAIL 3



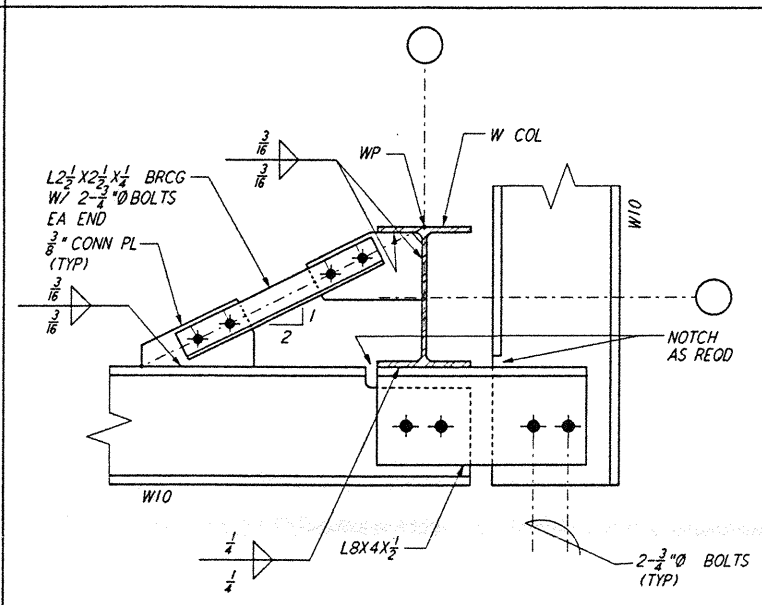
CRANE RUNWAY BEAM CONNECTION  
 DETAIL 4



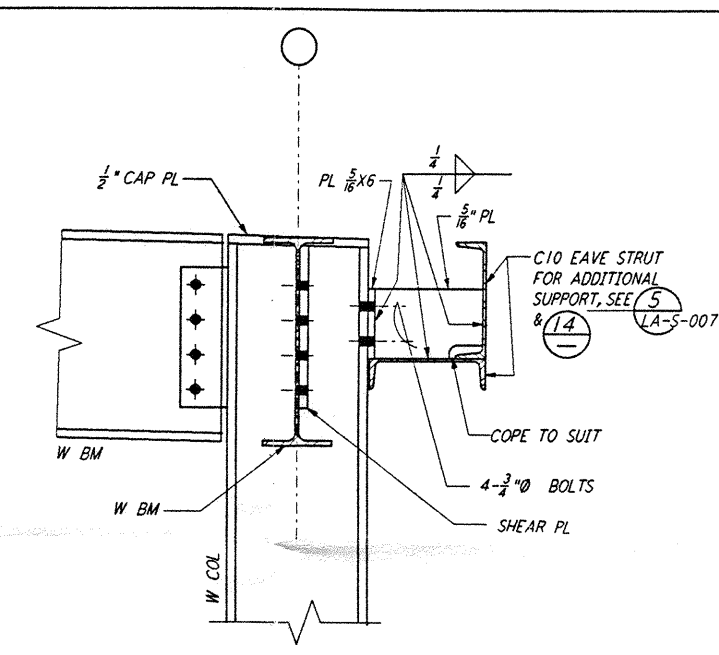
CRANE RUNWAY STOP DETAIL  
 DETAIL 5



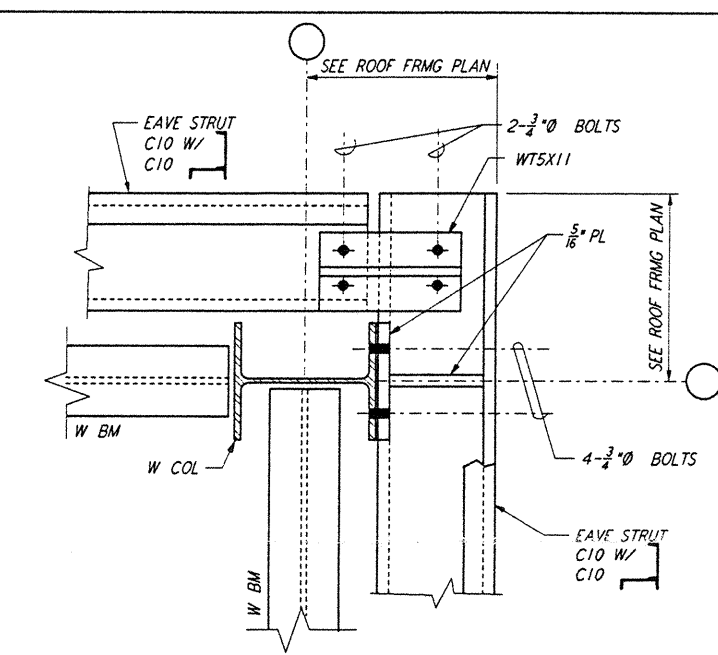
GIRT CONNECTION  
 DETAIL 6



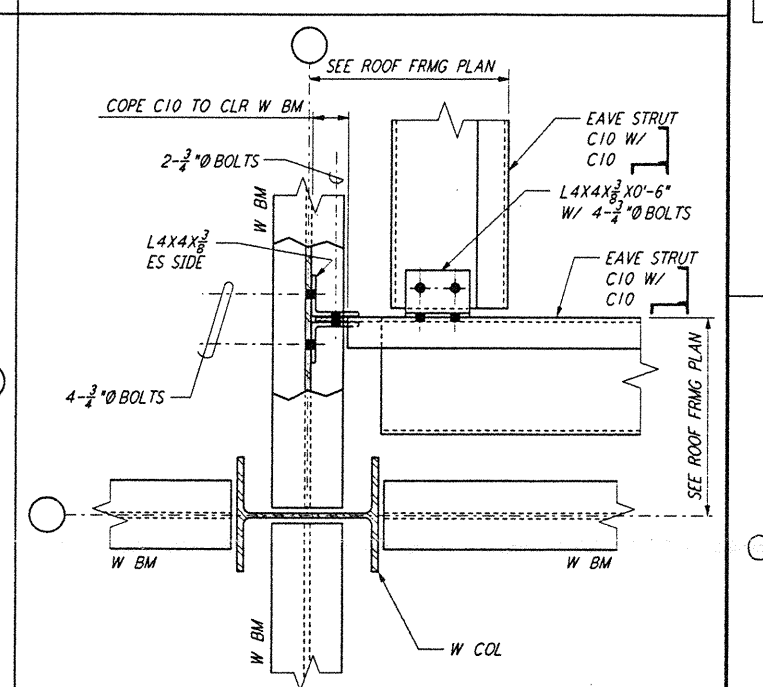
GIRT CONNECTION AT CORNER  
 DETAIL 7



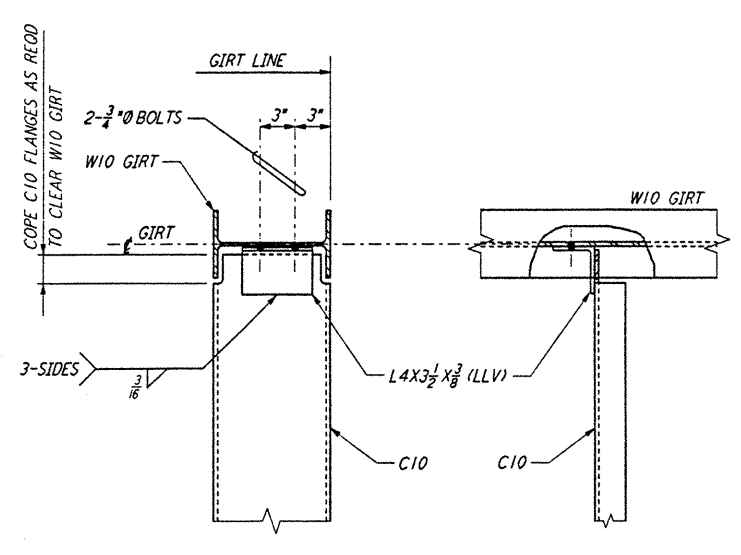
EAVE STRUT CONNECTION  
 DETAIL 8



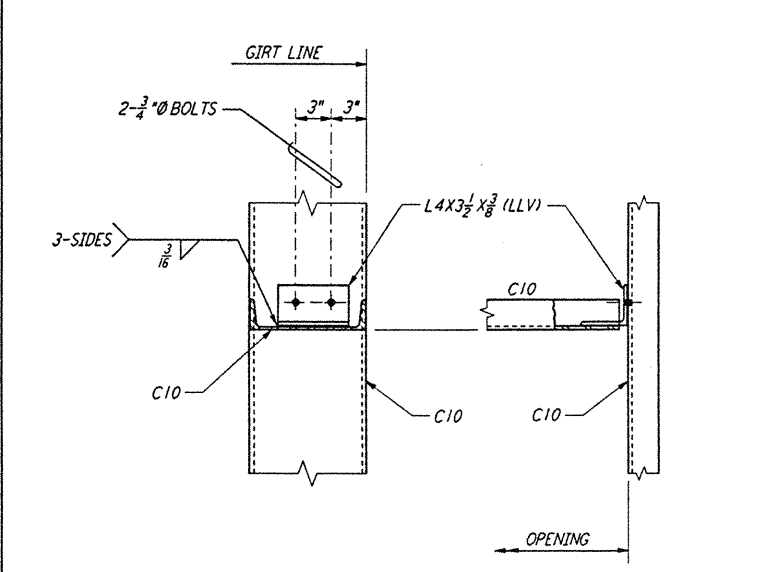
EAVE STRUT CONNECTION AT CORNER  
 DETAIL 9



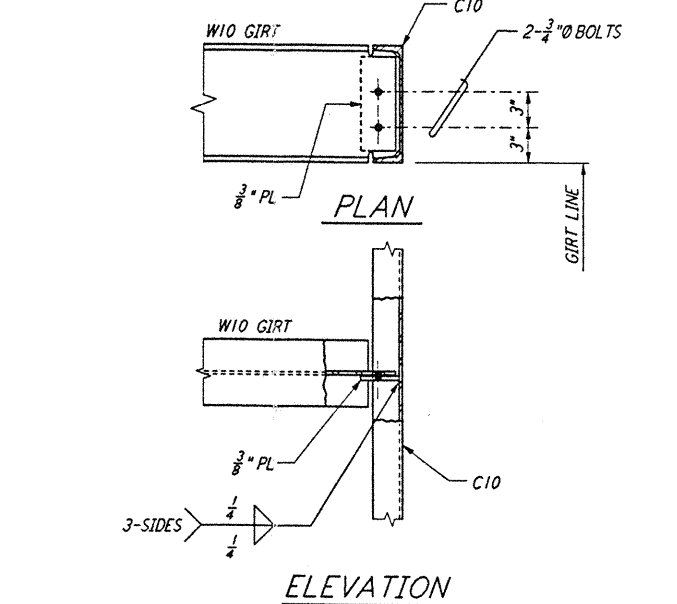
EAVE STRUT CONNECTION AT CORNER  
 DETAIL 10



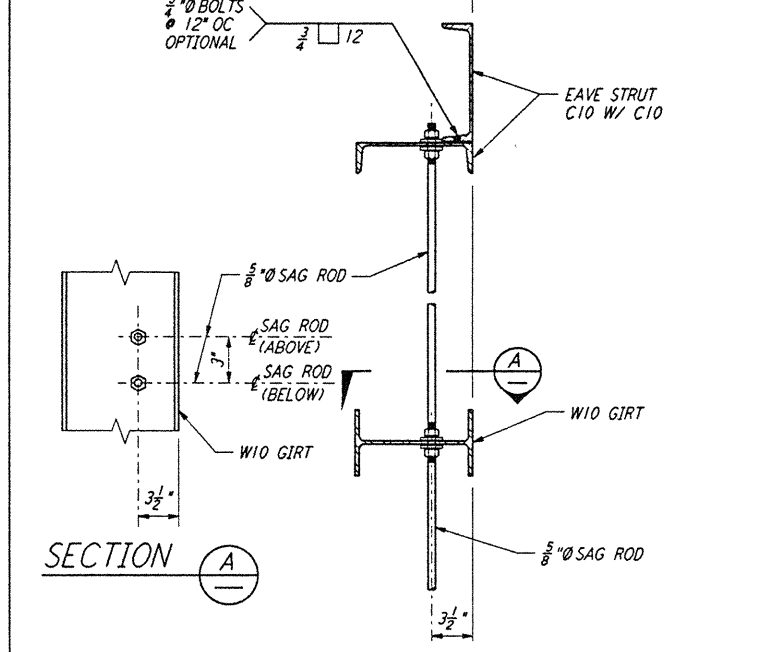
CHANNEL TO GIRT CONNECTION  
 DETAIL 11



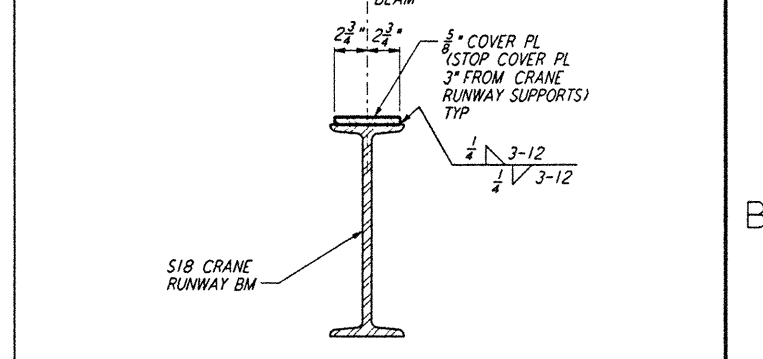
CHANNEL TO CHANNEL CONNECTION  
 DETAIL 12



GIRT TO CHANNEL CONNECTION  
 DETAIL 13



SAG RODS TO GIRTS CONNECTION  
 DETAIL 14



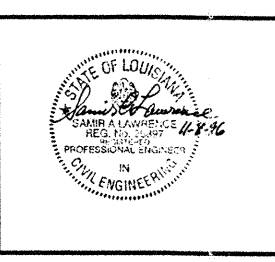
CRANE RUNWAY BEAM  
 DETAIL 15

NOTE:  
 1. FOR GENERAL NOTES, ABBREVIATIONS AND SYMBOLS SEE DRAWING LA-S-001.

This document and the design it covers are the property of PARSONS. They are loaned only with the borrower's expressed written agreement that they will not be reproduced, copied, loaned, exhibited, or used in any other way, except by written consent from PARSONS to the borrower.

NO.	DATE	BY	CHKD	ENGR	PROJ	DESCRIPTION

ISSUED FOR CONSTRUCTION		
DRAWN	MCS	11-15-96
CHECKED	PH	11-15-96
ENGINEER	PH	11-15-96
PROJ	PH	11/15/96



**PARSONS**  
 100 WEST WALNUT STREET  
 PASADENA, CALIFORNIA

**LIGO**  
 CALIFORNIA INSTITUTE OF TECHNOLOGY  
 MASSACHUSETTS INSTITUTE OF TECHNOLOGY

LASER INTERFEROMETER  
 GRAVITATIONAL-WAVE OBSERVATORY  
 SITE NO. 2 - LIVINGSTON, LOUISIANA

TITLE	STRUCTURAL STANDARD	SCALE	NONE	CONTRACT NUMBER	PPI50969	PROJECT NUMBER	8094
SHEET NUMBER	STRUCTURAL STEEL CONNECTION DETAILS SHEET 2	REVISIONS	LA-S-005				